

### Input data

System of measurement		Metric
Input type		Coupling for electric motor
Input speed	[rpm]	1400
Output speed	[rpm]	70
Ratio (i=)		20
Frequency	[Hz]	50
Input options		IEC
Requested input power	[kW]	2.2
Service factor		1.3
Rated Power P1	[kW]	2.88

### Output data

#### Gear unit **F RT 85 B3 20 100 B14 AC 32**

Type		RT - Worm speed reducers
Input type		F (Elastic coupling)
Size		85
Ratio (i=)		20
Input flange		B14
Input speed	[rpm]	1400
Output speed	[rpm]	70
Rated output torque	[Nm]	246.12
Service Factor		1.3
Efficiency		0.82
Inertia moment	[kgm <sup>2</sup> ]	0.000357

#### Gear unit configuration

Output shaft		Hollow output shaft
Fixing		Universal
Version		B3

#### Output radial and axial loads

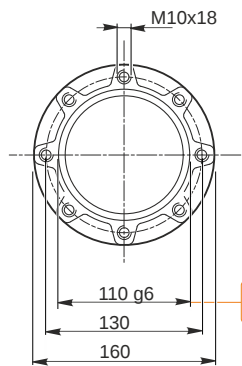
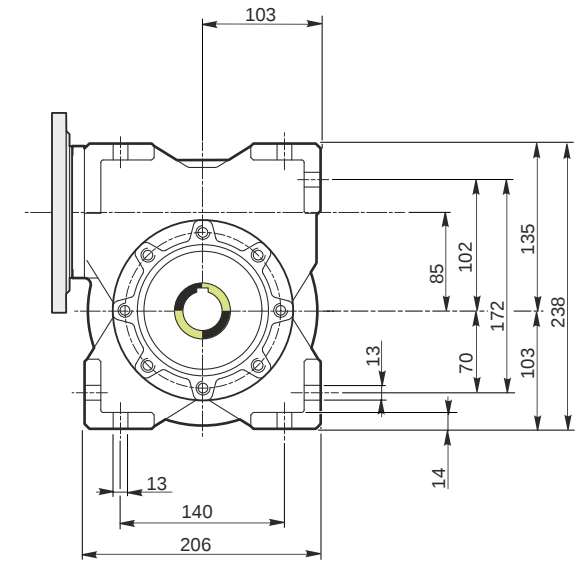
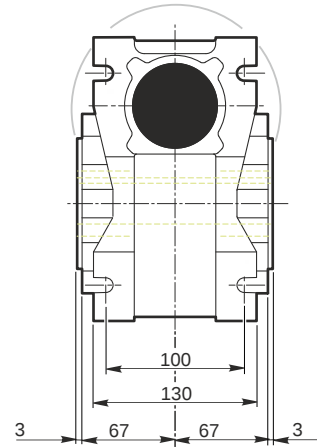
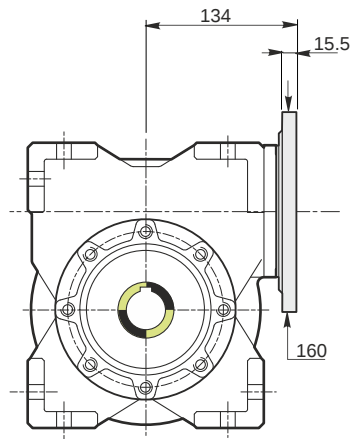
Ball bearings output radial load	[N]	4700
Taper bearings output radial load	[N]	6300
Ball bearings output axial load	[N]	940
Taper bearings output axial load	[N]	1260

#### Accessories

Hollow output shaft		AC 32
---------------------	--	-------

#### Electric motor coupling

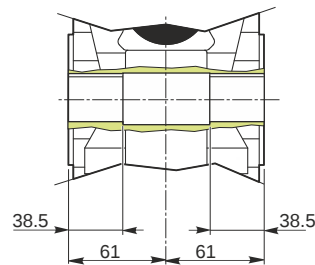
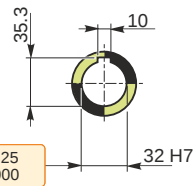
Size		100 A4
Poles n.		4
Power	[kW]	2.2

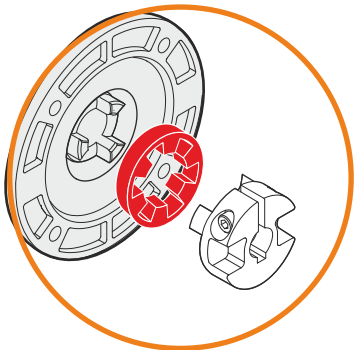
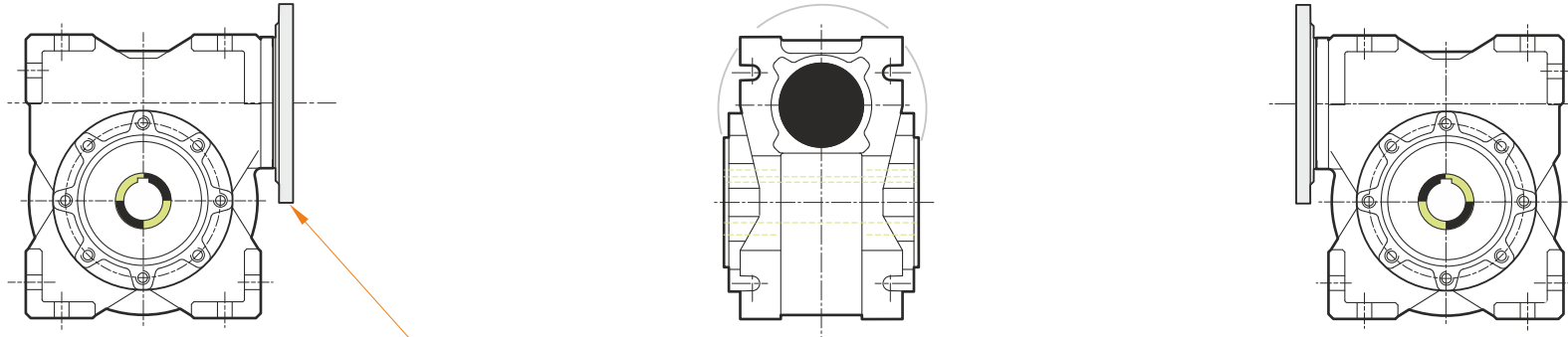


*Hollow output shaft*

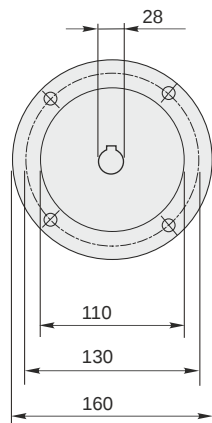
109.988  
109.966

32.025  
32.000





This gear unit is provided with an elastic coupling motor fitting



**F RT 85 B3 20 100 B14 AC 32**

### Mounting positions

B3

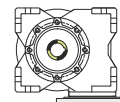
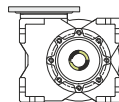
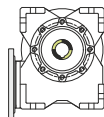
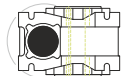
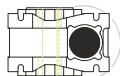
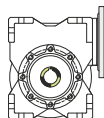
B6

B7

B8

V5

V6



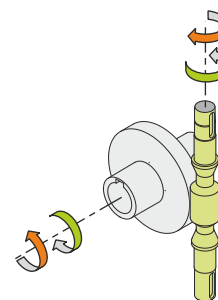
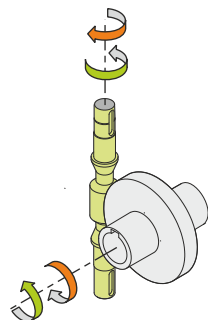
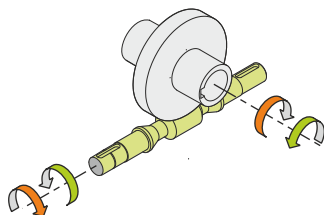
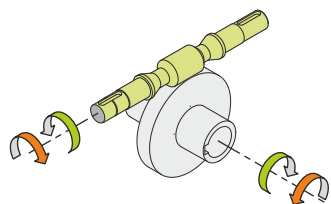
0.6



← Oil quantity [litres]

Lubricant type: Long life synthetic oil ISO VG320

### Direction of rotation



### Weight

Gear unit [kg] 13.5

### Gearing data

Axial module	3.4
Number of starts	2
Lead angle	11° 18'
Pressure angle	20°

### Backdriving

Variable static self-locking  
Quick back-driving in case of vibrations  
Dynamic back-driving