

### Input data

System of measurement		Metric
Input type		Gear motor
Input speed	[rpm]	1400
Output speed	[rpm]	140
Ratio (i=)		10
Frequency	[Hz]	50
Input options		IEC
Requested input power	[kW]	0.18
Service factor		1.8
Rated Power P1	[kW]	0.33

### Output data

**Gear unit** **M RT 28 B3 10 63 B14 AC 14 MT 0.18 kW 63 B4 B14 X3**

Type		RT - Worm speed reducers
Input type		M
Size		28
Ratio (i=)		10
Input flange		B14
Input speed	[rpm]	1400
Output speed	[rpm]	140
Rated output torque	[Nm]	9.95
Service Factor		1.8
Efficiency		0.81
Inertia moment	[kgm <sup>2</sup> ]	0.000006

#### Gear unit configuration

Output shaft		Hollow output shaft
Fixing		Universal
Version		B3

#### Output radial and axial loads

Ball bearings output radial load	[N]	500
Taper bearings output radial load	[N]	750
Ball bearings output axial load	[N]	100
Taper bearings output axial load	[N]	150

#### Accessories

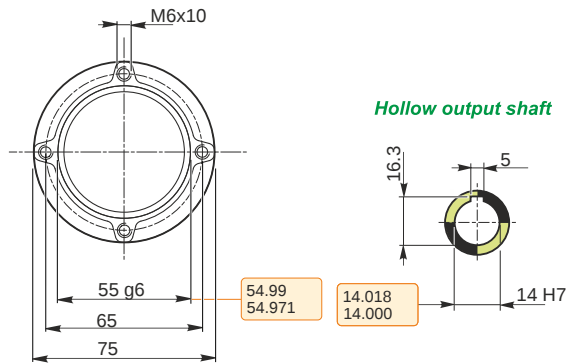
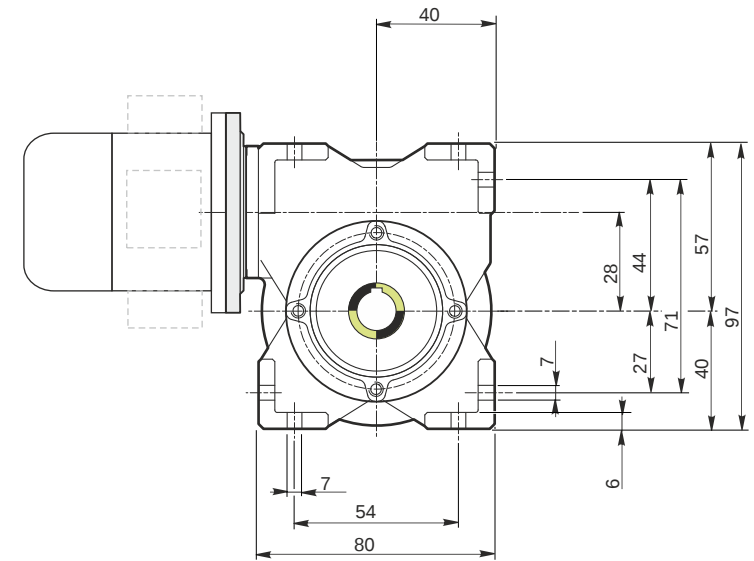
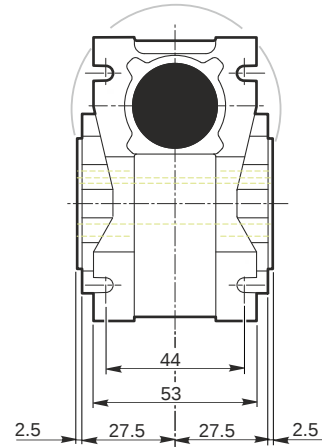
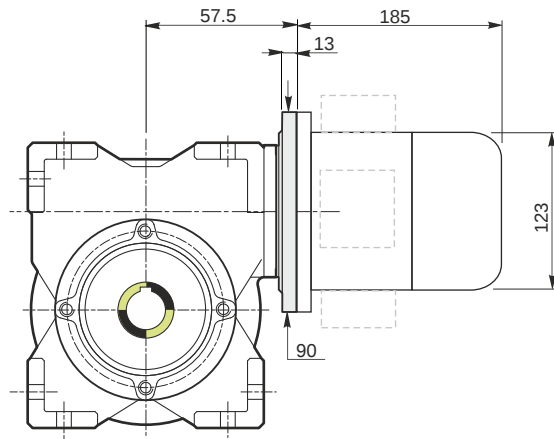
Hollow output shaft		AC 14
---------------------	--	-------

#### Electric motor

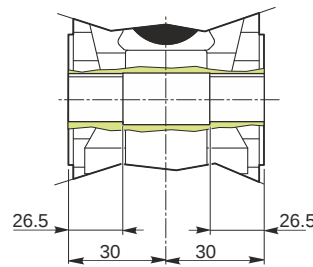
Size		63 B4
Poles		4
Power	[kW]	0.18

#### Electric motor configuration

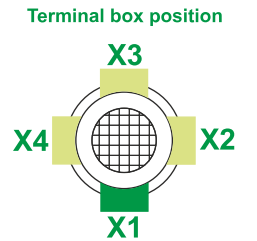
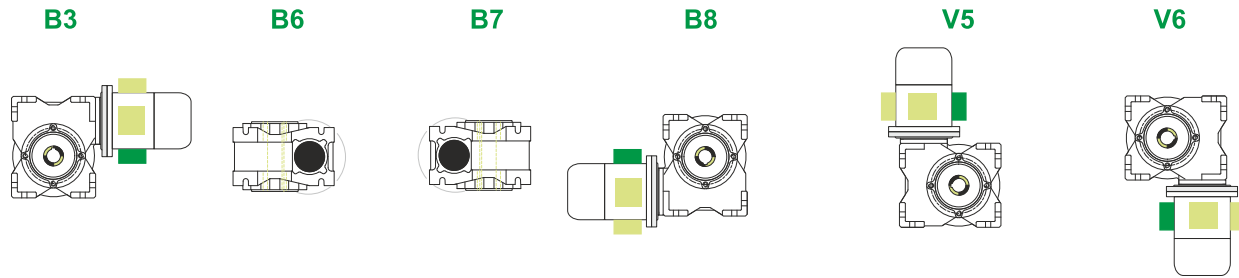
Motor flange		B14
Terminal box position		X3



Hollow output shaft



**Mounting positions**



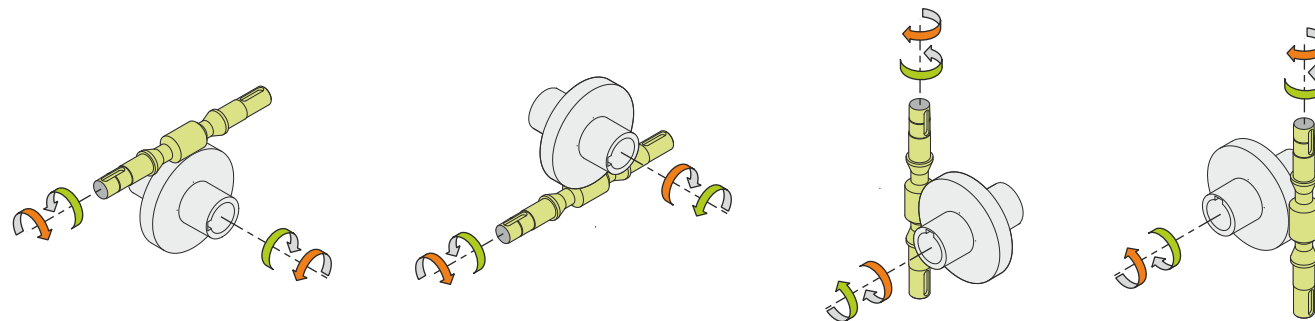
0.03



← Oil quantity [litres]

Lubricant type: Long life synthetic oil ISO VG320

**Direction of rotation**



**Weight**

Gear unit [kg]	1.1
Electric motor [kg]	4.3

**Gearing data**

Axial module	1.4
Number of starts	3
Lead angle	16° 41'
Pressure angle	20°

**Backdriving**

- Static back-driving
- Quick back-driving
- Dynamic back-driving

**M RT 28 B3 10 63 B14 AC 14 MT 0.18 kW 63 B4 B14 X3**