

Input data

System of measurement		Metric
Input type		Gear motor
Input speed	[rpm]	1400
Output speed	[rpm]	28.57
Ratio (i=)		49
Frequency	[Hz]	50
Input options		IEC
Requested input power	[kW]	0.09
Service factor		1
Rated Power P1	[kW]	0.09

Output data

Gear unit **M RT 28 B3 49 56 B14 AC 14 MT 0.09 kW 56 B4 B14 X3**

Type		RT - Worm speed reducers
Input type		M
Size		28
Ratio (i=)		49
Input flange		B14
Input speed	[rpm]	1400
Output speed	[rpm]	28.57
Rated output torque	[Nm]	17.15
Service Factor		1
Efficiency		0.57
Inertia moment	[kgm ²]	0.000005

Gear unit configuration

Output shaft		Hollow output shaft
Fixing		Universal
Version		B3

Output radial and axial loads

Ball bearings output radial load	[N]	750
Taper bearings output radial load	[N]	1120
Ball bearings output axial load	[N]	150
Taper bearings output axial load	[N]	224

Accessories

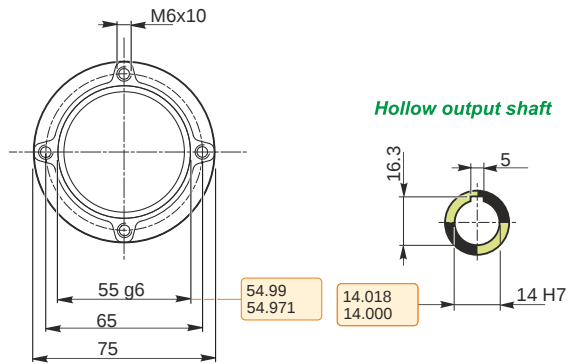
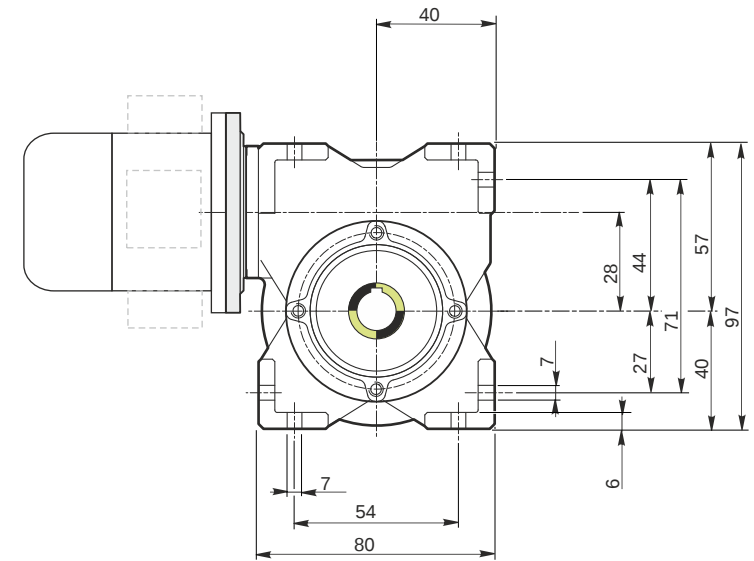
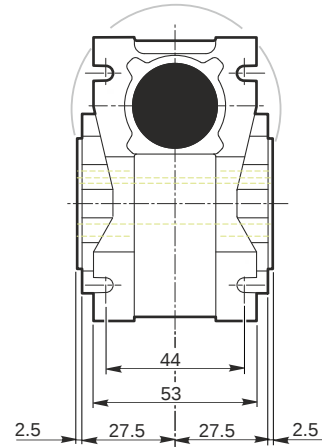
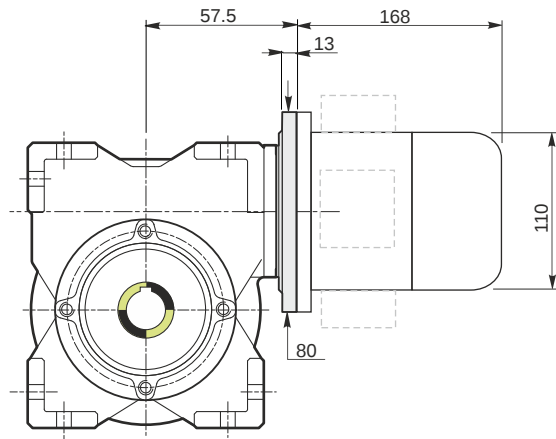
Hollow output shaft		AC 14
---------------------	--	-------

Electric motor

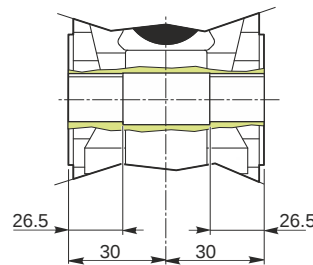
Size		56 B4
Poles		4
Power	[kW]	0.09

Electric motor configuration

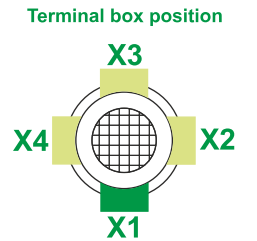
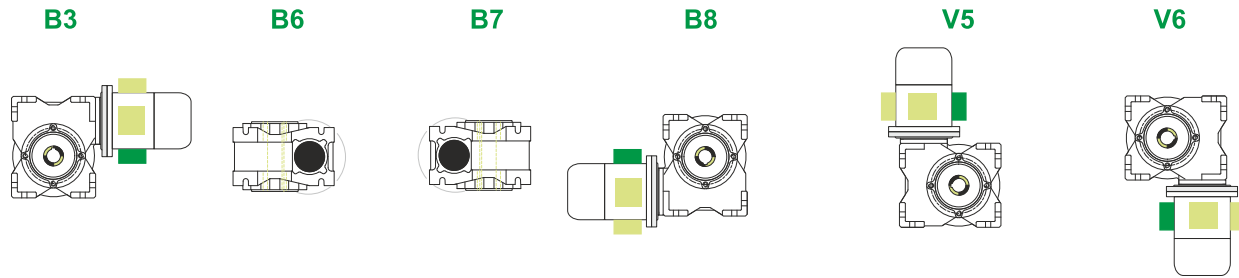
Motor flange		B14
Terminal box position		X3



Hollow output shaft



Mounting positions



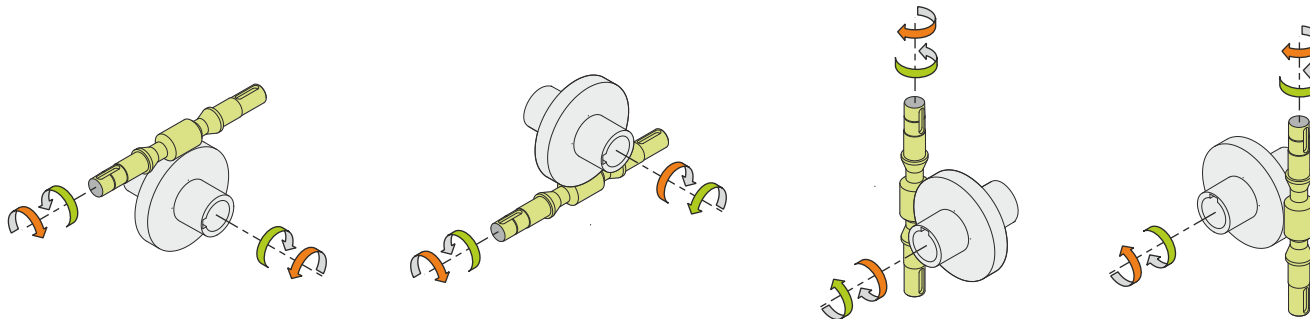
0.03



← Oil quantity [litres]

Lubricant type: Long life synthetic oil ISO VG320

Direction of rotation



Weight

Gear unit [kg]	1.1
Electric motor [kg]	2.6

Gearing data

Axial module	0.9
Number of starts	1
Lead angle	4° 19'
Pressure angle	20°

Backdriving

Static self-locking
Slow back-driving in case of vibrations
Low dynamic back-driving

M RT 28 B3 49 56 B14 AC 14 MT 0.09 kW 56 B4 B14 X3