

### Input data

System of measurement		Metric
Input type		Gear motor
Input speed	[rpm]	1400
Output speed	[rpm]	93.33
Ratio (i=)		15
Frequency	[Hz]	50
Input options		IEC
Requested input power	[kW]	0.37
Service factor		1.5
Rated Power P1	[kW]	0.55

### Output data

**Gear unit** **M RT 40 B3 15 71 B14 AC 19 MT 0.37 kW 71 B4 B14 X3**

Type		RT - Worm speed reducers
Input type		M
Size		40
Ratio (i=)		15
Input flange		B14
Input speed	[rpm]	1400
Output speed	[rpm]	93.33
Rated output torque	[Nm]	29.53
Service Factor		1.5
Efficiency		0.78
Inertia moment	[kgm <sup>2</sup> ]	0.000019

#### Gear unit configuration

Output shaft		Hollow output shaft
Fixing		Universal
Version		B3

#### Output radial and axial loads

Ball bearings output radial load	[N]	1200
Taper bearings output radial load	[N]	1650
Ball bearings output axial load	[N]	240
Taper bearings output axial load	[N]	330

#### Accessories

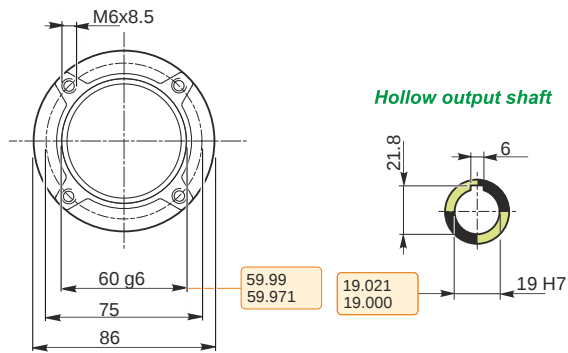
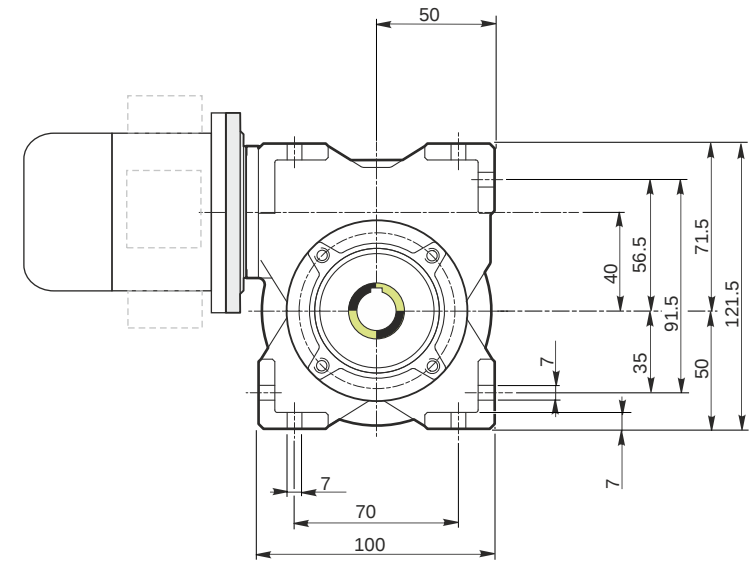
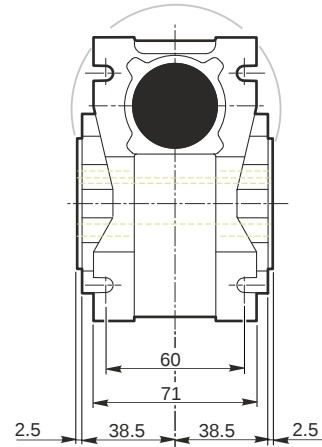
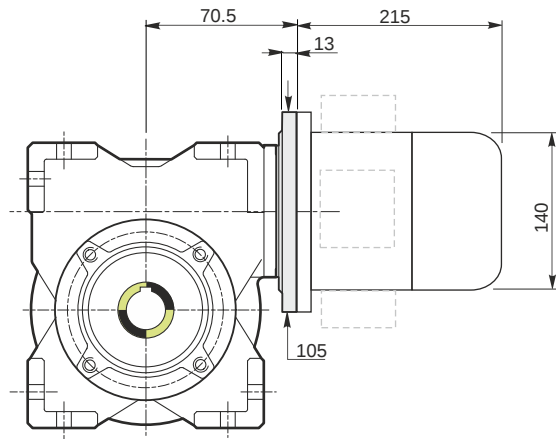
Hollow output shaft		AC 19
---------------------	--	-------

#### Electric motor

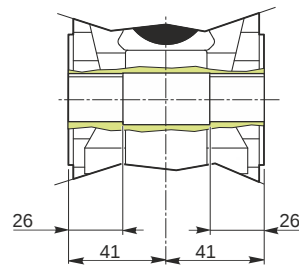
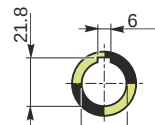
Size		71 B4
Poles		4
Power	[kW]	0.37

#### Electric motor configuration

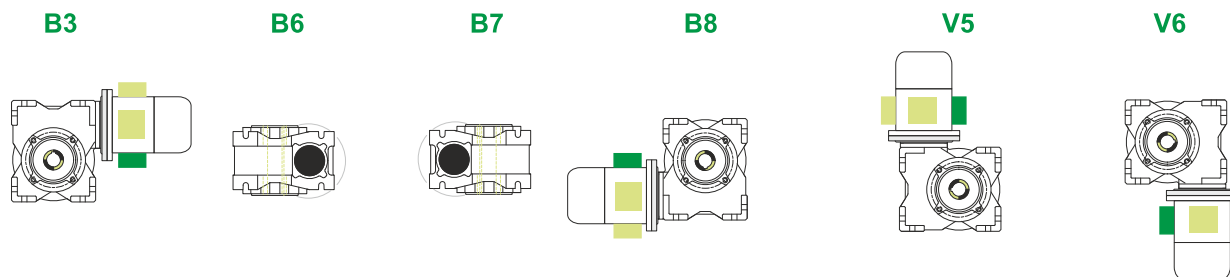
Motor flange		B14
Terminal box position		X3



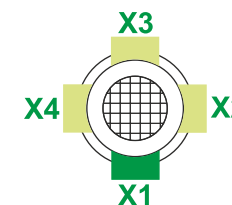
*Hollow output shaft*



### Mounting positions



Terminal box position



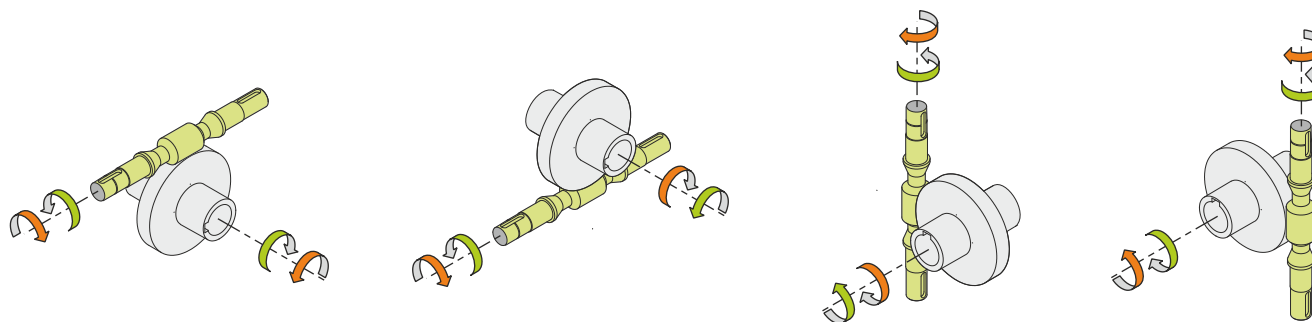
0.08



← Oil quantity [litres]

Lubricant type: Long life synthetic oil ISO VG320

### Direction of rotation



### Weight

Gear unit [kg]	2.5
Electric motor [kg]	6.2

### Gearing data

Axial module	2
Number of starts	2
Lead angle	11° 18'
Pressure angle	20°

### Backdriving

Variable static self-locking  
Quick back-driving in case of vibrations  
Dynamic back-driving

**M RT 40 B3 15 71 B14 AC 19 MT 0.37 kW 71 B4 B14 X3**