

Input data

System of measurement		Metric
Input type		Gear motor
Input speed	[rpm]	1400
Output speed	[rpm]	70
Ratio (i=)		20
Frequency	[Hz]	50
Input options		IEC
Requested input power	[kW]	0.25
Service factor		1.5
Rated Power P1	[kW]	0.38

Output data

Gear unit **M RT 40 B3 20 71 B14 AC 19 MT 0.25 kW 71 A4 B14 X3**

Type		RT - Worm speed reducers
Input type		M
Size		40
Ratio (i=)		20
Input flange		B14
Input speed	[rpm]	1400
Output speed	[rpm]	70
Rated output torque	[Nm]	25.58
Service Factor		1.5
Efficiency		0.75
Inertia moment	[kgm ²]	0.000019

Gear unit configuration

Output shaft		Hollow output shaft
Fixing		Universal
Version		B3

Output radial and axial loads

Ball bearings output radial load	[N]	1350
Taper bearings output radial load	[N]	1900
Ball bearings output axial load	[N]	270
Taper bearings output axial load	[N]	380

Accessories

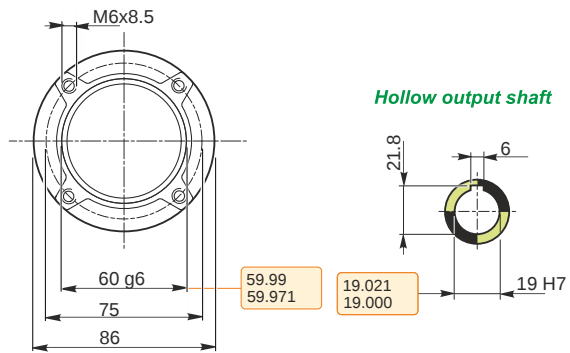
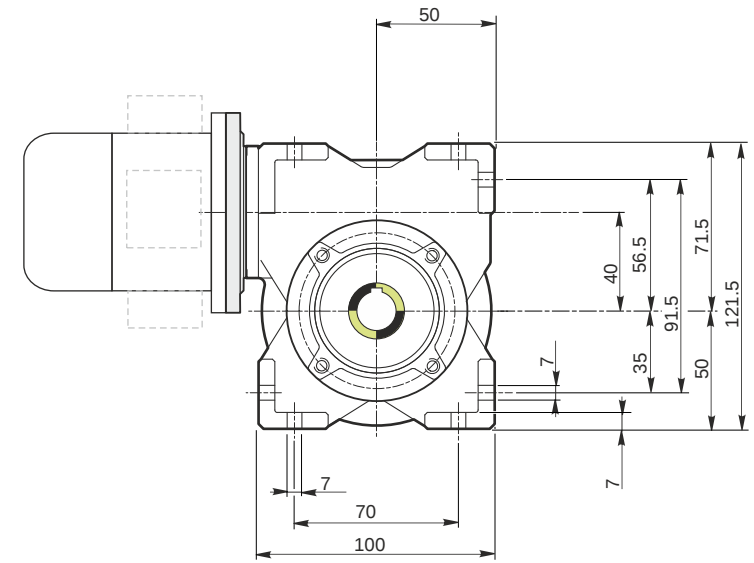
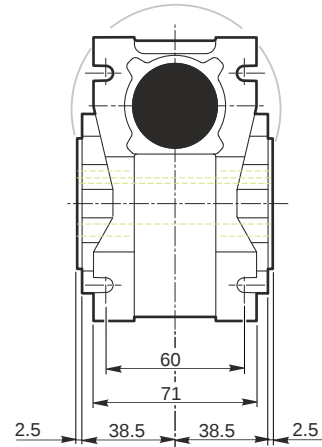
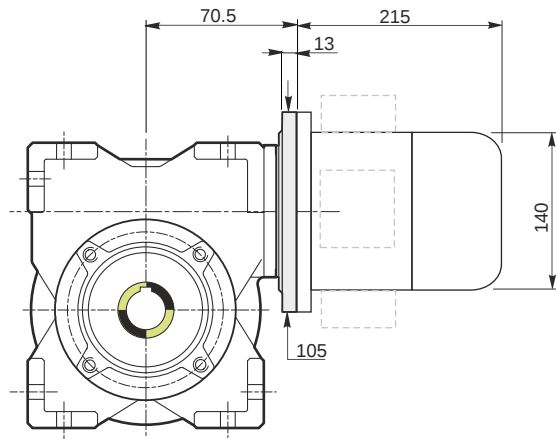
Hollow output shaft		AC 19
---------------------	--	-------

Electric motor

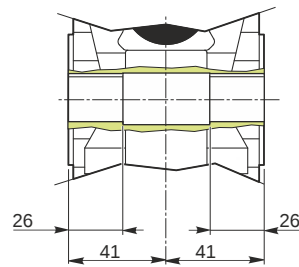
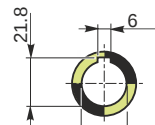
Size		71 A4
Poles		4
Power	[kW]	0.25

Electric motor configuration

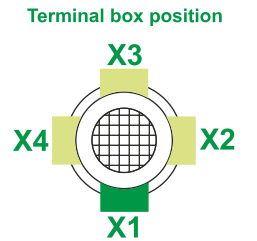
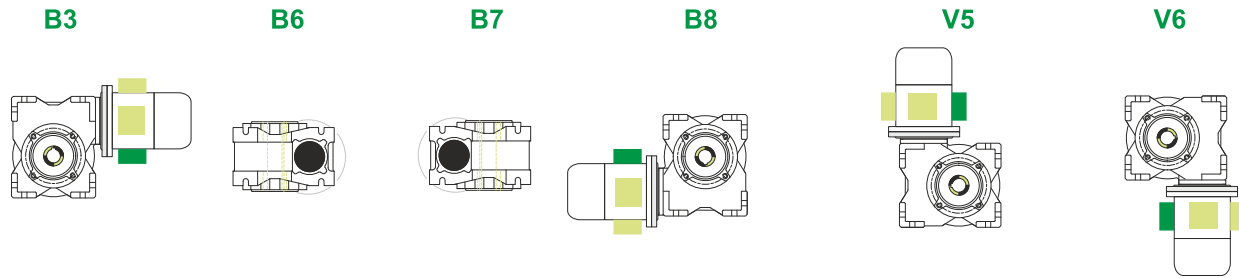
Motor flange		B14
Terminal box position		X3



Hollow output shaft



Mounting positions



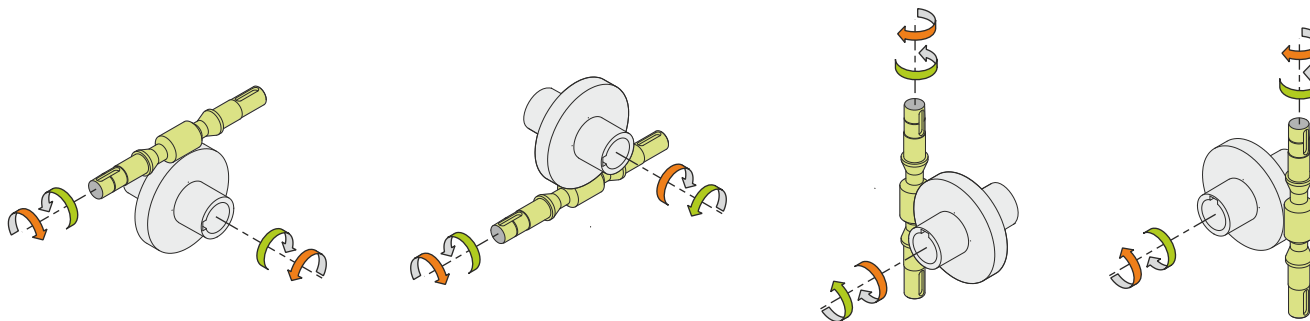
0.08



← Oil quantity [litres]

Lubricant type: Long life synthetic oil ISO VG320

Direction of rotation



Weight

Gear unit [kg]	2.5
Electric motor [kg]	6.2

Gearing data

Axial module	1.5
Number of starts	2
Lead angle	8° 31'
Pressure angle	20°

Backdriving

Variable static self-locking
Quick back-driving in case of vibrations
Dynamic back-driving

M RT 40 B3 20 71 B14 AC 19 MT 0.25 kW 71 A4 B14 X3