

Input data

| | | |
|-----------------------|-------|------------|
| System of measurement | | Metric |
| Input type | | Gear motor |
| Input speed | [rpm] | 1400 |
| Output speed | [rpm] | 93.33 |
| Ratio (i=) | | 15 |
| Frequency | [Hz] | 50 |
| Input options | | IEC |
| Requested input power | [kW] | 1.5 |
| Service factor | | 1 |
| Rated Power P1 | [kW] | 1.57 |

Output data

Gear unit **M RT 60 B3 15 90 B14 AC 25 MT 1.5 kW 90 L4 B14 X3**

| | | |
|---------------------|---------------------|--------------------------|
| Type | | RT - Worm speed reducers |
| Input type | | M |
| Size | | 60 |
| Ratio (i=) | | 15 |
| Input flange | | B14 |
| Input speed | [rpm] | 1400 |
| Output speed | [rpm] | 93.33 |
| Rated output torque | [Nm] | 124.32 |
| Service Factor | | 1 |
| Efficiency | | 0.81 |
| Inertia moment | [kgm ²] | 0.00011 |

Gear unit configuration

| | | |
|--------------|--|---------------------|
| Output shaft | | Hollow output shaft |
| Fixing | | Universal |
| Version | | B3 |

Output radial and axial loads

| | | |
|-----------------------------------|-----|------|
| Ball bearings output radial load | [N] | 2900 |
| Taper bearings output radial load | [N] | 3700 |
| Ball bearings output axial load | [N] | 580 |
| Taper bearings output axial load | [N] | 740 |

Accessories

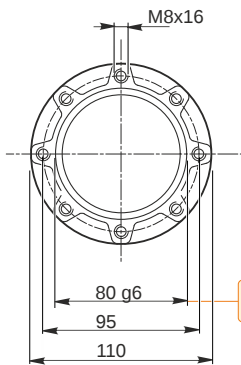
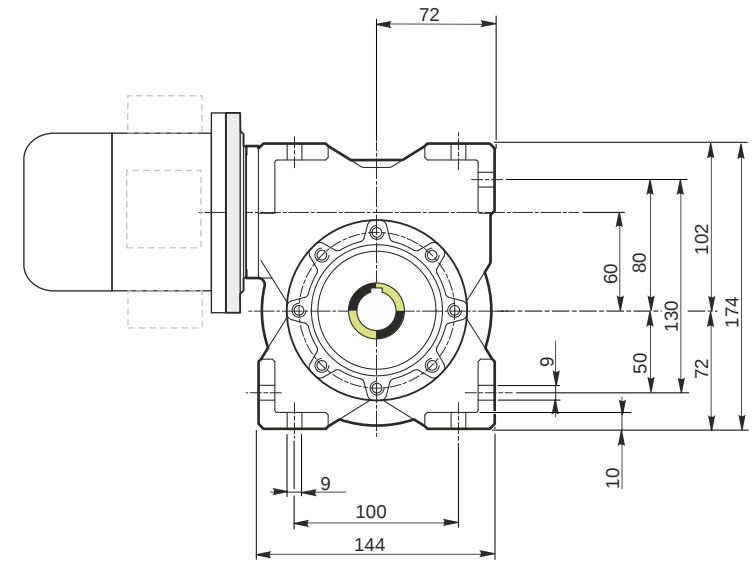
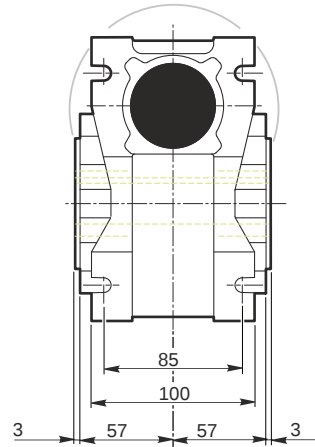
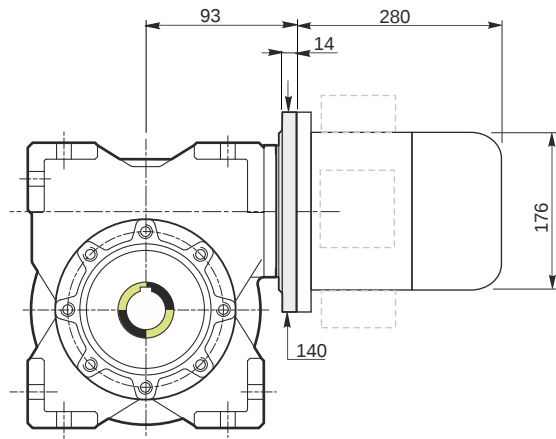
| | | |
|---------------------|--|-------|
| Hollow output shaft | | AC 25 |
|---------------------|--|-------|

Electric motor

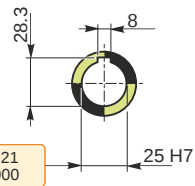
| | | |
|-------|------|-------|
| Size | | 90 L4 |
| Poles | | 4 |
| Power | [kW] | 1.5 |

Electric motor configuration

| | | |
|-----------------------|--|-----|
| Motor flange | | B14 |
| Terminal box position | | X3 |

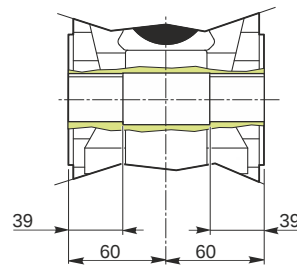


Hollow output shaft

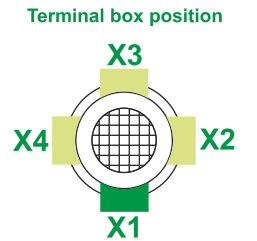
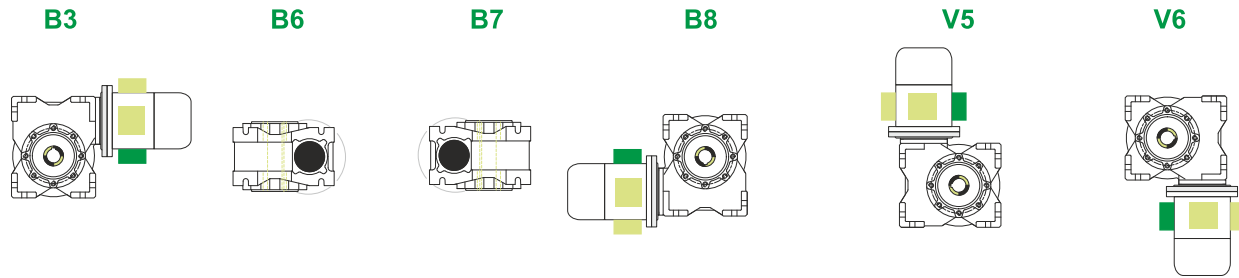


79.99
79.971

25.021
25.000



Mounting positions



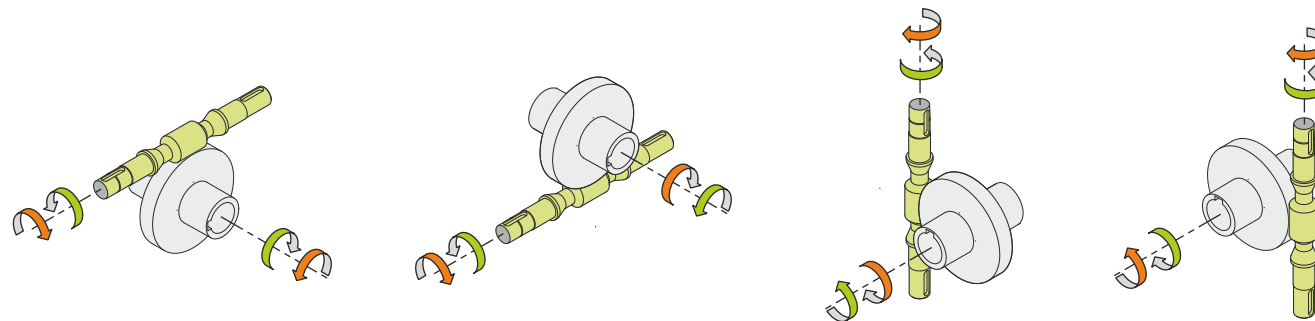
0.23



← Oil quantity [litres]

Lubricant type: Long life synthetic oil ISO VG320

Direction of rotation



Weight

| | |
|---------------------|------|
| Gear unit [kg] | 6.5 |
| Electric motor [kg] | 13.5 |

Gearing data

| | |
|------------------|---------|
| Axial module | 3.1 |
| Number of starts | 2 |
| Lead angle | 12° 55' |
| Pressure angle | 20° |

Backdriving

- Static back-driving
- Quick back-driving
- Dynamic back-driving

M RT 60 B3 15 90 B14 AC 25 MT 1.5 kW 90 L4 B14 X3