

### Input data

System of measurement		Metric
Input type		Gear motor
Input speed	[rpm]	1400
Output speed	[rpm]	50
Ratio (i=)		28
Frequency	[Hz]	50
Input options		IEC
Requested input power	[kW]	0.75
Service factor		1.4
Rated Power P1	[kW]	1.02

### Output data

**Gear unit** **M RT 60 B3 28 80 B14 AC 25 MT 0.75 kW 80 B4 B14 X3**

Type		RT - Worm speed reducers
Input type		M
Size		60
Ratio (i=)		28
Input flange		B14
Input speed	[rpm]	1400
Output speed	[rpm]	50
Rated output torque	[Nm]	101.71
Service Factor		1.4
Efficiency		0.71
Inertia moment	[kgm <sup>2</sup> ]	0.000105

#### Gear unit configuration

Output shaft		Hollow output shaft
Fixing		Universal
Version		B3

#### Output radial and axial loads

Ball bearings output radial load	[N]	3600
Taper bearings output radial load	[N]	4800
Ball bearings output axial load	[N]	720
Taper bearings output axial load	[N]	960

#### Accessories

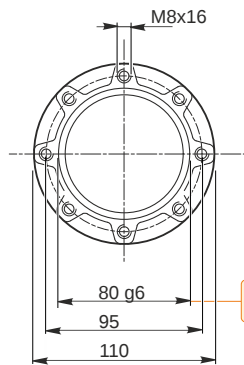
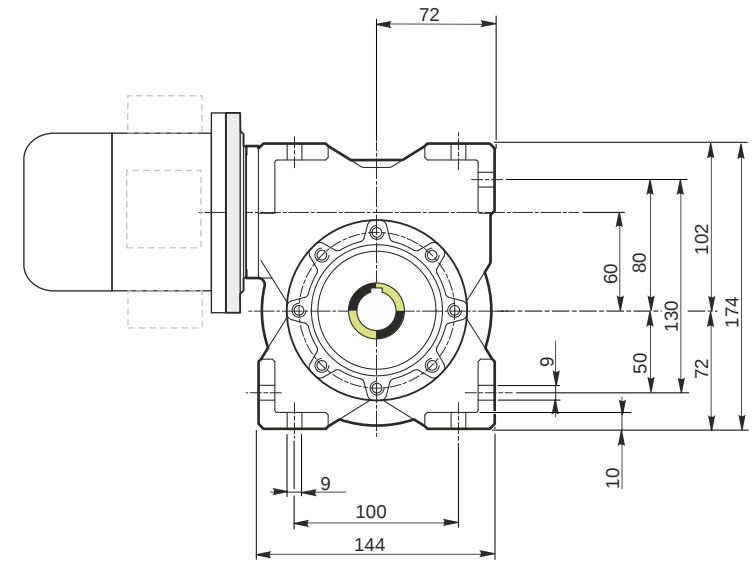
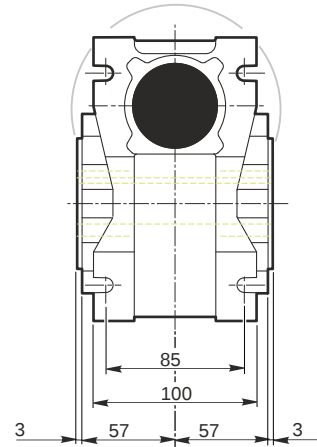
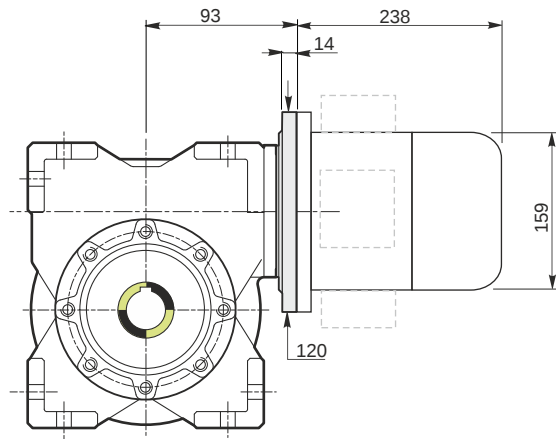
Hollow output shaft		AC 25
---------------------	--	-------

#### Electric motor

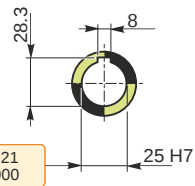
Size		80 B4
Poles		4
Power	[kW]	0.75

#### Electric motor configuration

Motor flange		B14
Terminal box position		X3

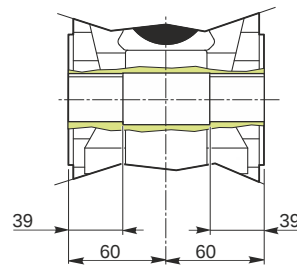


*Hollow output shaft*

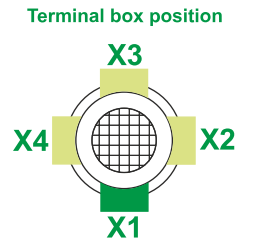
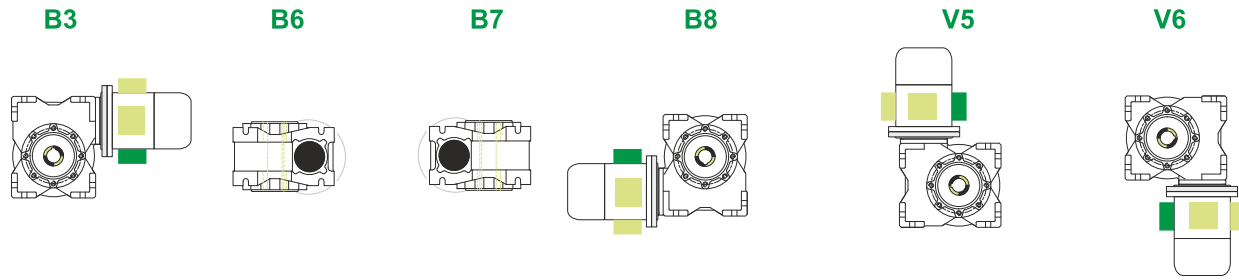


79.99  
79.971

25.021  
25.000



**Mounting positions**



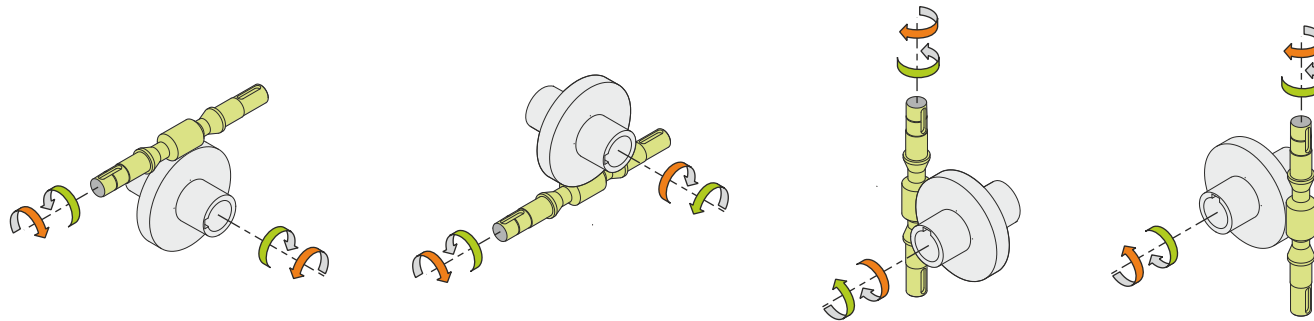
0.23



← Oil quantity [litres]

Lubricant type: Long life synthetic oil ISO VG320

**Direction of rotation**



**Weight**

Gear unit [kg]	6.5
Electric motor [kg]	9.8

**Gearing data**

Axial module	3.3
Number of starts	1
Lead angle	6° 49'
Pressure angle	20°

**Backdriving**

Static self-locking  
Slow back-driving in case of vibrations  
Low dynamic back-driving