

### Input data

System of measurement		Metric
Input type		Gear motor
Input speed	[rpm]	1400
Output speed	[rpm]	28.57
Ratio (i=)		49
Frequency	[Hz]	50
Input options		IEC
Requested input power	[kW]	0.75
Service factor		1.1
Rated Power P1	[kW]	0.84

### Output data

**Gear unit** **M RT 70 B3 49 80 B14 AC 28 MT 0.75 kW 80 B4 B14 X3**

Type		RT - Worm speed reducers
Input type		M
Size		70
Ratio (i=)		49
Input flange		B14
Input speed	[rpm]	1400
Output speed	[rpm]	28.57
Rated output torque	[Nm]	167.96
Service Factor		1.1
Efficiency		0.67
Inertia moment	[kgm <sup>2</sup> ]	0.000245

#### Gear unit configuration

Output shaft		Hollow output shaft
Fixing		Universal
Version		B3

#### Output radial and axial loads

Ball bearings output radial load	[N]	5200
Taper bearings output radial load	[N]	6900
Ball bearings output axial load	[N]	1040
Taper bearings output axial load	[N]	1380

#### Accessories

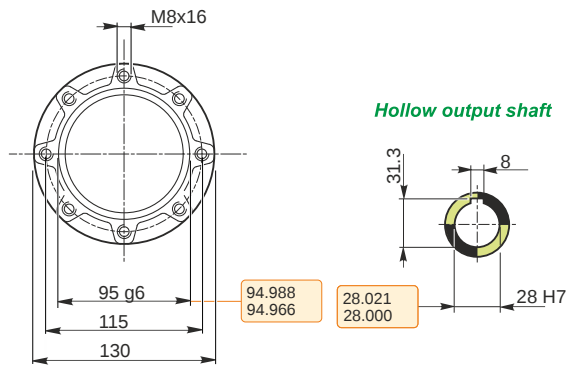
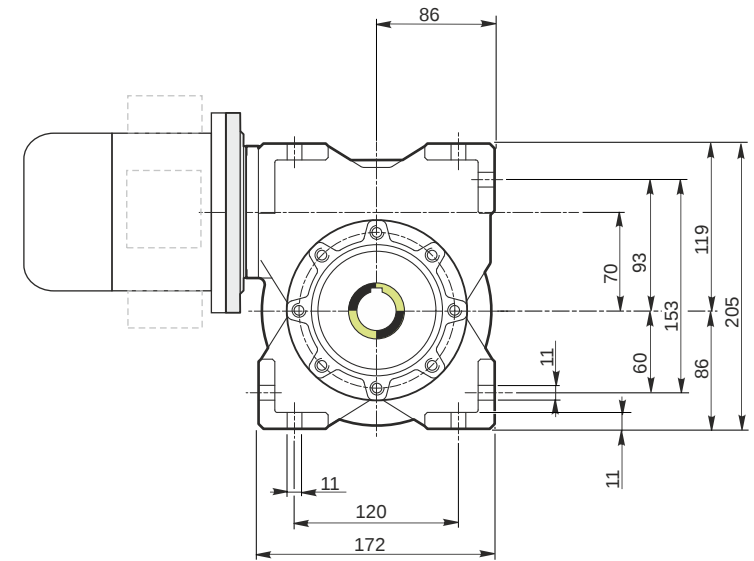
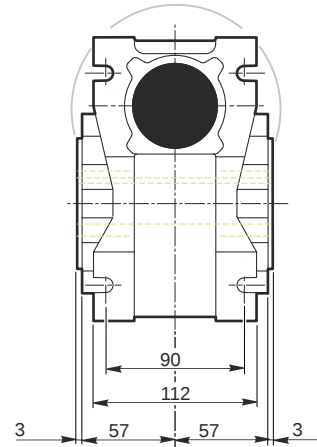
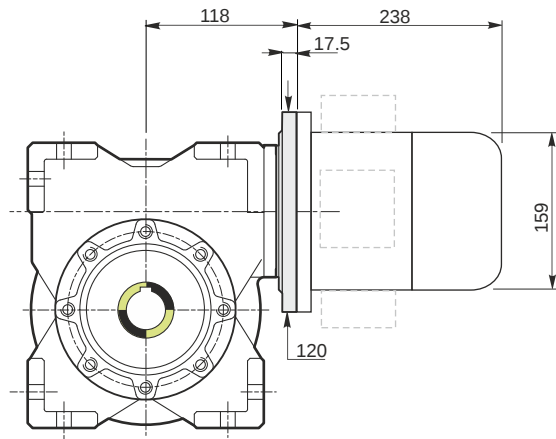
Hollow output shaft		AC 28
---------------------	--	-------

#### Electric motor

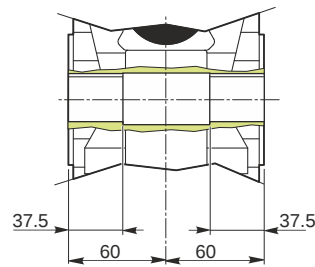
Size		80 B4
Poles		4
Power	[kW]	0.75

#### Electric motor configuration

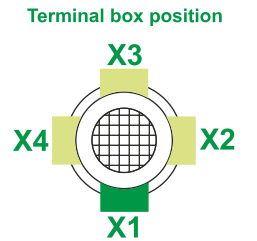
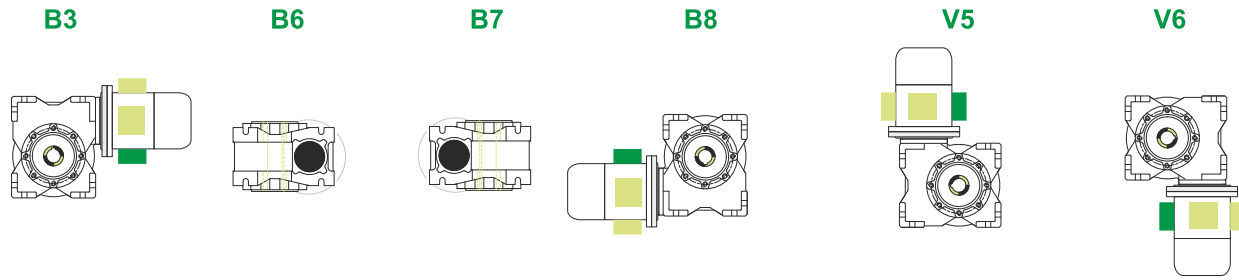
Motor flange		B14
Terminal box position		X3



*Hollow output shaft*



**Mounting positions**



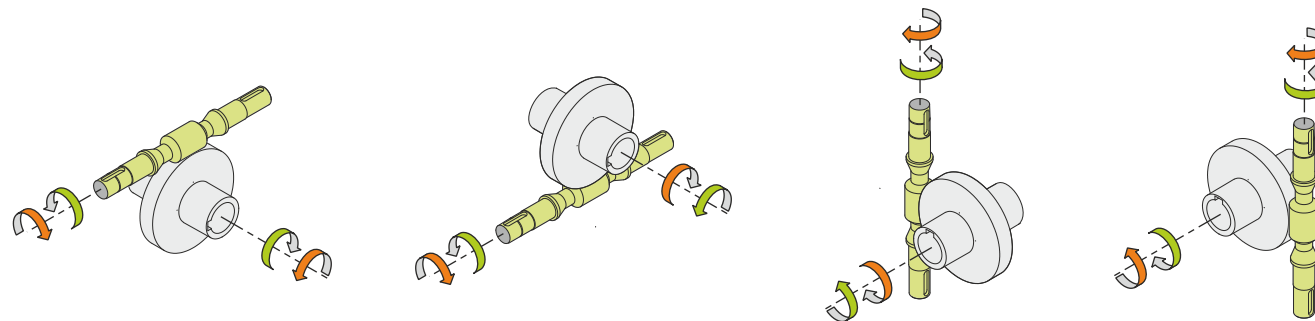
0.35



← Oil quantity [litres]

Lubricant type: Long life synthetic oil ISO VG320

**Direction of rotation**



**Weight**

Gear unit [kg]	9
Electric motor [kg]	9.8

**Gearing data**

Axial module	2.3
Number of starts	1
Lead angle	4° 48'
Pressure angle	20°

**Backdriving**

Static self-locking  
Slow back-driving in case of vibrations  
Low dynamic back-driving

**M RT 70 B3 49 80 B14 AC 28 MT 0.75 kW 80 B4 B14 X3**