

Input data

System of measurement		Metric
Input type		Gear motor
Input speed	[rpm]	1400
Output speed	[rpm]	25
Ratio (i=)		56
Frequency	[Hz]	50
Input options		IEC
Requested input power	[kW]	0.75
Service factor		1
Rated Power P1	[kW]	0.74

Output data

Gear unit M RT 70 B3 56 80 B14 AC 28 MT 0.75 kW 80 B4 B14 X3

Type		RT - Worm speed reducers
Input type		M
Size		70
Ratio (i=)		56
Input flange		B14
Input speed	[rpm]	1400
Output speed	[rpm]	25
Rated output torque	[Nm]	183.36
Service Factor		1
Efficiency		0.64
Inertia moment	[kgm ²]	0.000244

Gear unit configuration

Output shaft		Hollow output shaft
Fixing		Universal
Version		B3

Output radial and axial loads

Ball bearings output radial load	[N]	5500
Taper bearings output radial load	[N]	7300
Ball bearings output axial load	[N]	1100
Taper bearings output axial load	[N]	1460

Accessories

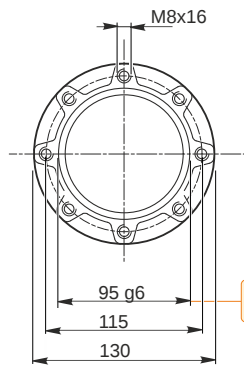
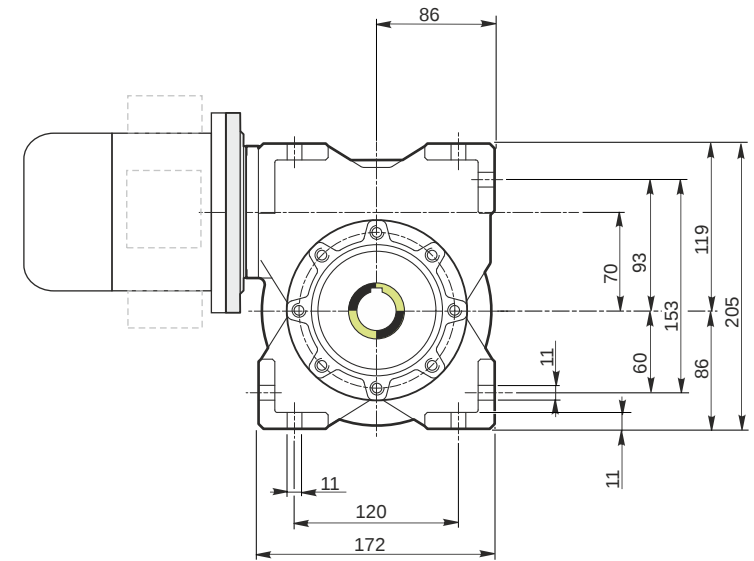
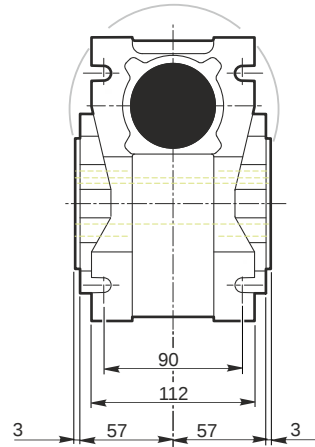
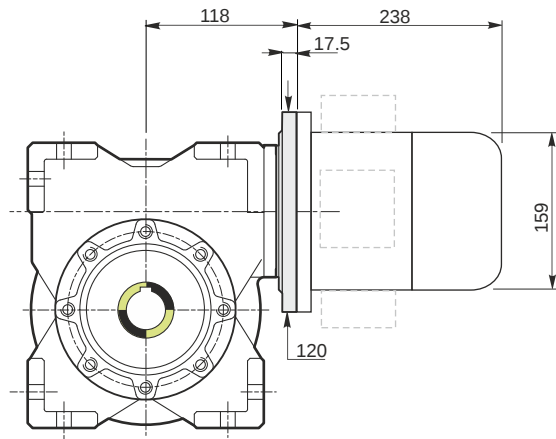
Hollow output shaft		AC 28
---------------------	--	-------

Electric motor

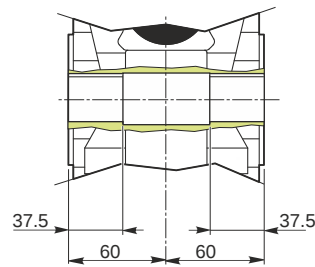
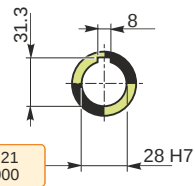
Size		80 B4
Poles		4
Power	[kW]	0.75

Electric motor configuration

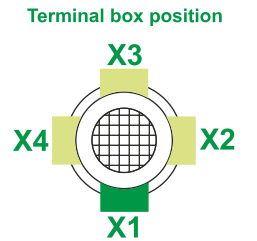
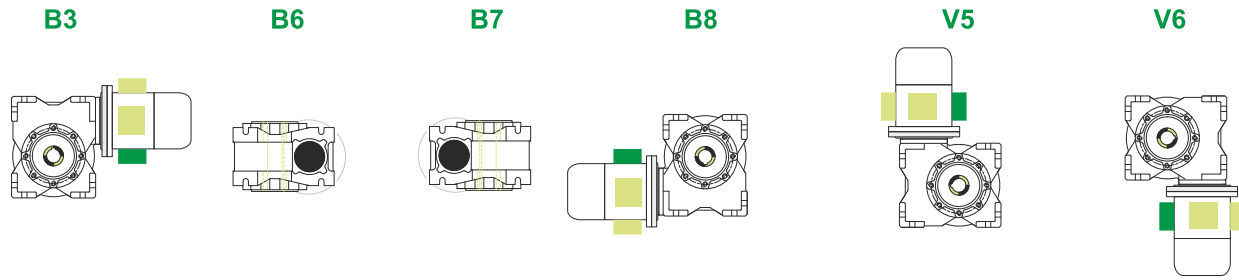
Motor flange		B14
Terminal box position		X3



Hollow output shaft



Mounting positions



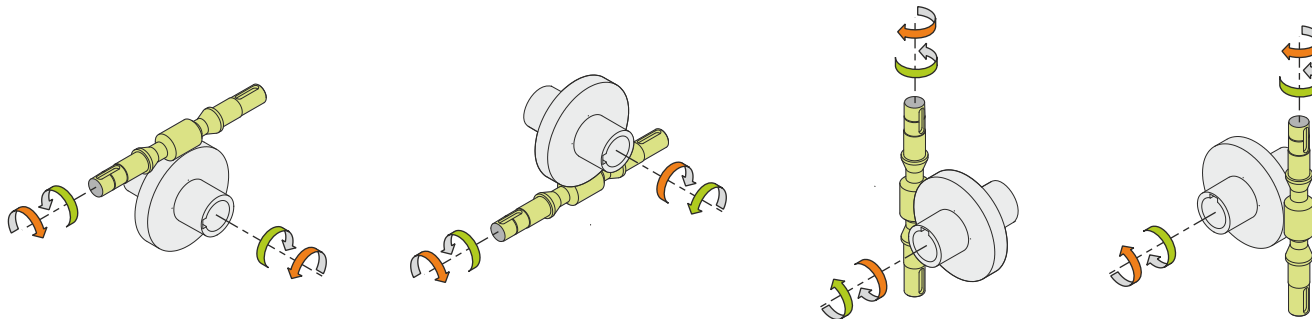
0.35



← Oil quantity [litres]

Lubricant type: Long life synthetic oil ISO VG320

Direction of rotation



Weight

Gear unit [kg]	9
Electric motor [kg]	9.8

Gearing data

Axial module	2
Number of starts	1
Lead angle	4° 05'
Pressure angle	20°

Backdriving

Static self-locking
Slow back-driving in case of vibrations
Low dynamic back-driving