

Input data

System of measurement		Metric
Input type		Gear motor
Input speed	[rpm]	1400
Output speed	[rpm]	14
Ratio (i=)		100
Frequency	[Hz]	50
Input options		IEC
Requested input power	[kW]	0.37
Service factor		1
Rated Power P1	[kW]	0.37

Output data

Gear unit M RT 70 B3 100 71 B5 AC 28 MT 0.37 kW 71 B4 B5 X3

Type		RT - Worm speed reducers
Input type		M
Size		70
Ratio (i=)		100
Input flange		B5
Input speed	[rpm]	1400
Output speed	[rpm]	14
Rated output torque	[Nm]	131.24
Service Factor		1
Efficiency		0.52
Inertia moment	[kgm ²]	0.000244

Gear unit configuration

Output shaft		Hollow output shaft
Fixing		Universal
Version		B3

Output radial and axial loads

Ball bearings output radial load	[N]	6700
Taper bearings output radial load	[N]	7900
Ball bearings output axial load	[N]	1340
Taper bearings output axial load	[N]	1580

Accessories

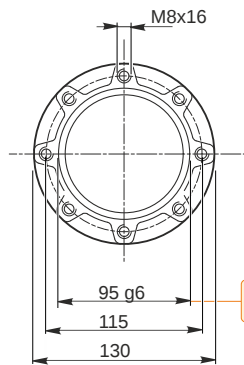
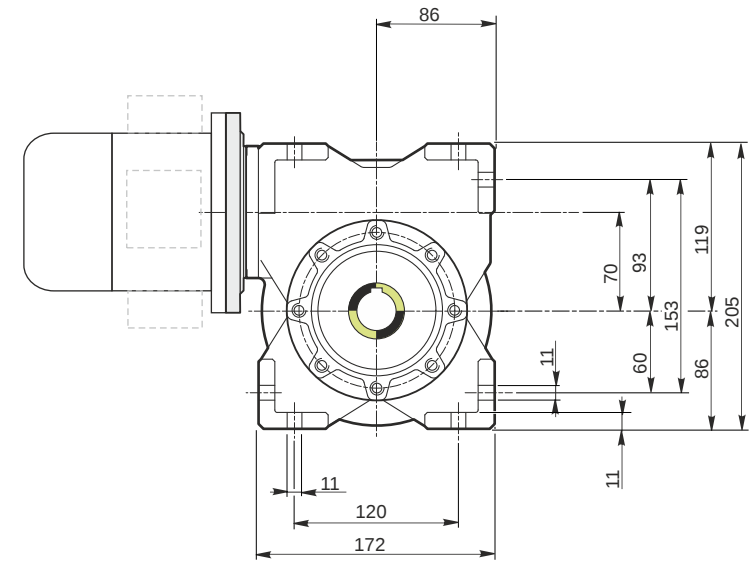
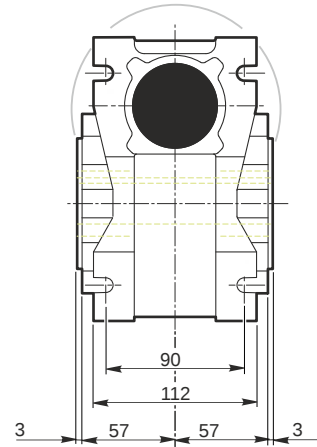
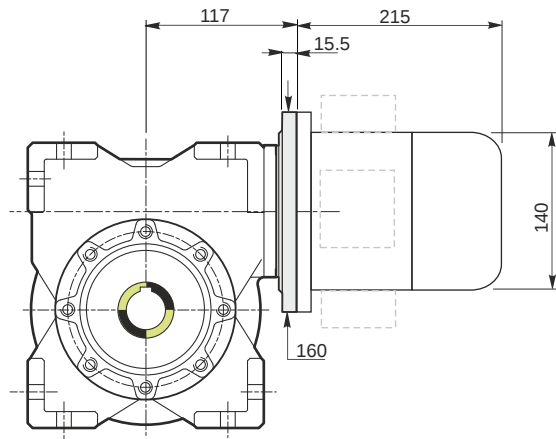
Hollow output shaft		AC 28
---------------------	--	-------

Electric motor

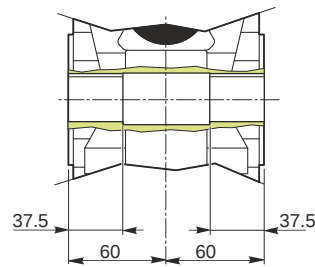
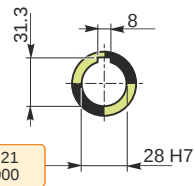
Size		71 B4
Poles		4
Power	[kW]	0.37

Electric motor configuration

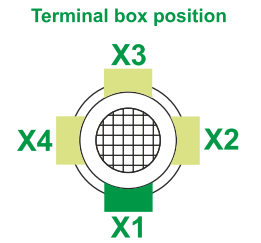
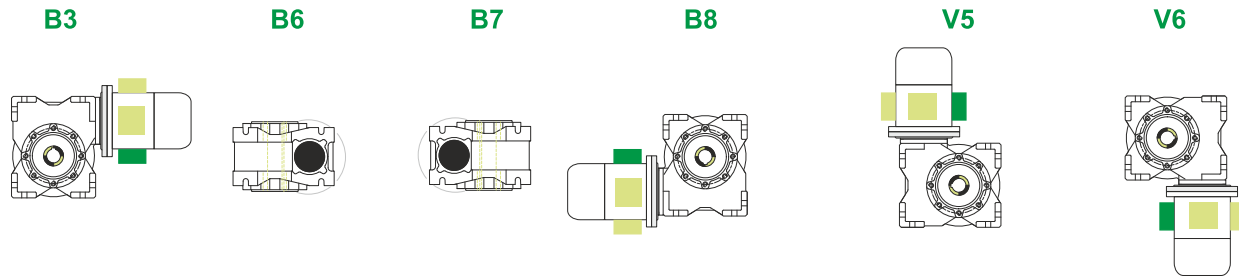
Motor flange		B5
Terminal box position		X3



Hollow output shaft



Mounting positions



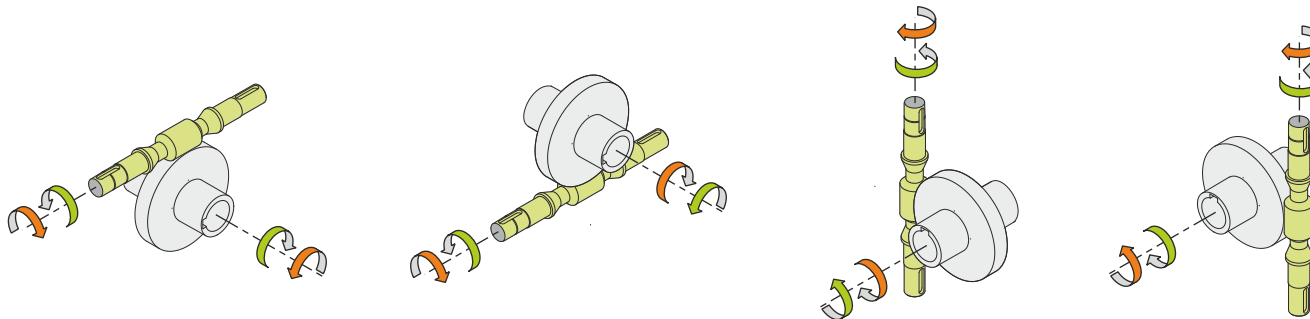
0.35



← Oil quantity [litres]

Lubricant type: Long life synthetic oil ISO VG320

Direction of rotation



Weight

Gear unit [kg]	9
Electric motor [kg]	6.2

Gearing data

Axial module	1.15
Number of starts	1
Lead angle	2° 38'
Pressure angle	20°

Backdriving

Static self-locking
No back-driving
Low dynamic back-driving

M RT 70 B3 100 71 B5 AC 28 MT 0.37 kW 71 B4 B5 X3