

### Input data

System of measurement		Metric
Input type		Gear motor
Input speed	[rpm]	1400
Output speed	[rpm]	200
Ratio (i=)		7
Frequency	[Hz]	50
Input options		IEC
Requested input power	[kW]	4
Service factor		1.5
Rated Power P1	[kW]	6.16

### Output data

**Gear unit** M RT 85 B3 7 112 B14 AC 32 MT 4 kW 112 A4 B14 X3

Type		RT - Worm speed reducers
Input type		M
Size		85
Ratio (i=)		7
Input flange		B14
Input speed	[rpm]	1400
Output speed	[rpm]	200
Rated output torque	[Nm]	168.08
Service Factor		1.5
Efficiency		0.88
Inertia moment	[kgm <sup>2</sup> ]	0.000489

#### Gear unit configuration

Output shaft		Hollow output shaft
Fixing		Universal
Version		B3

#### Output radial and axial loads

Ball bearings output radial load	[N]	3300
Taper bearings output radial load	[N]	4200
Ball bearings output axial load	[N]	660
Taper bearings output axial load	[N]	840

#### Accessories

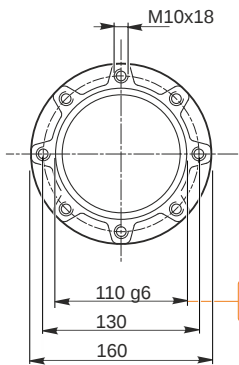
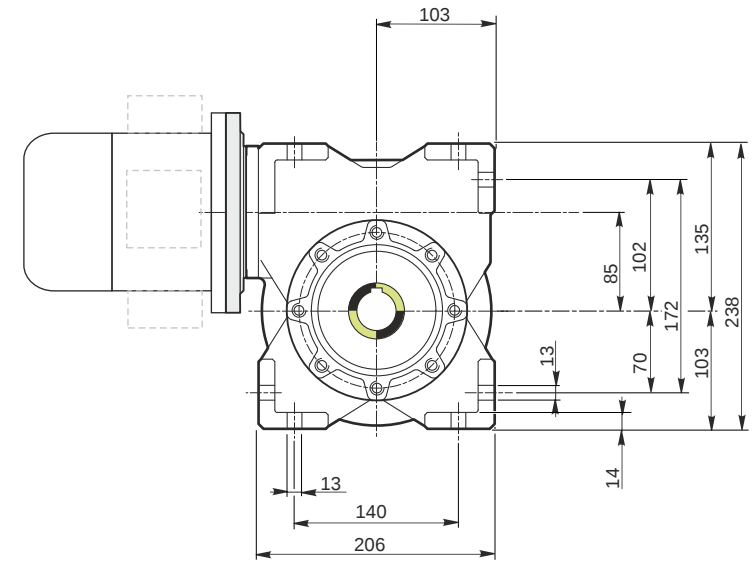
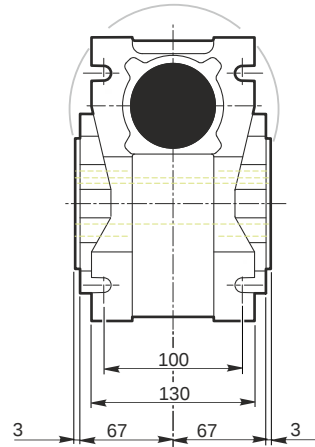
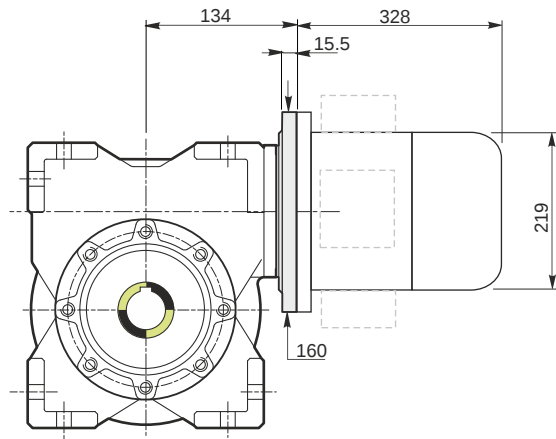
Hollow output shaft		AC 32
---------------------	--	-------

#### Electric motor

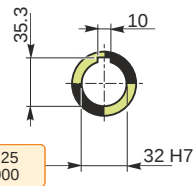
Size		112 A4
Poles		4
Power	[kW]	4

#### Electric motor configuration

Motor flange		B14
Terminal box position		X3

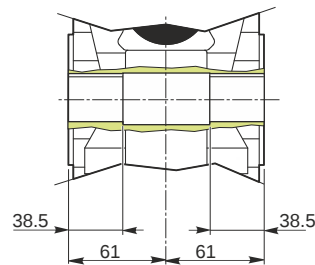


*Hollow output shaft*

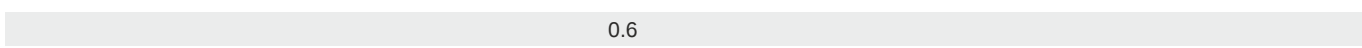
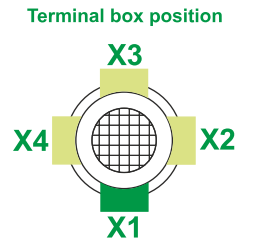
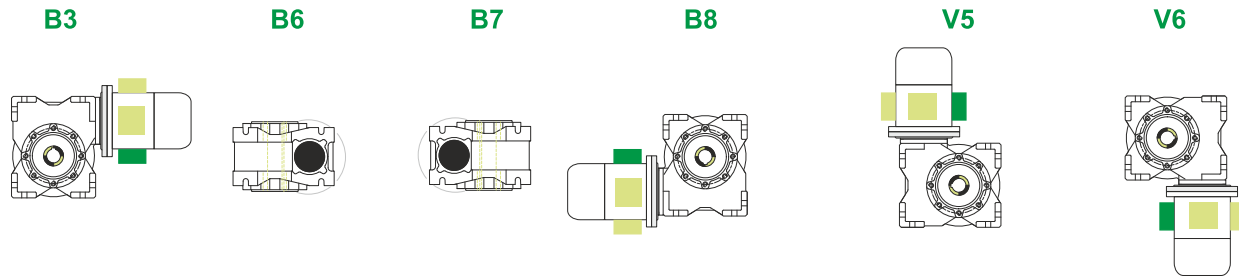


109.988  
109.966

32.025  
32.000



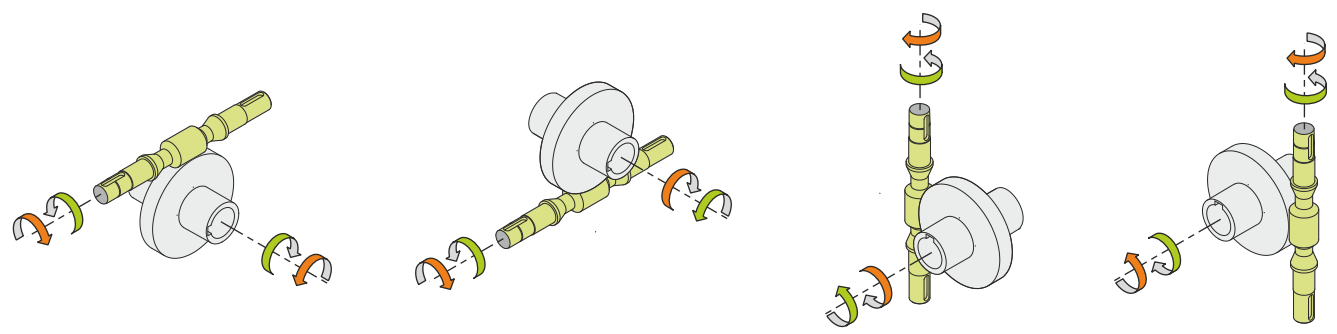
**Mounting positions**



← Oil quantity [litres]

Lubricant type: Long life synthetic oil ISO VG320

**Direction of rotation**



**Weight**

Gear unit [kg]	13.5
Electric motor [kg]	29

**Gearing data**

Axial module	4.7
Number of starts	4
Lead angle	26° 05'
Pressure angle	20°

**Backdriving**

- Static back-driving
- Quick back-driving
- Dynamic back-driving

**M RT 85 B3 7 112 B14 AC 32 MT 4 kW 112 A4 B14 X3**