

### Input data

System of measurement		Metric
Input type		Gear motor
Input speed	[rpm]	1400
Output speed	[rpm]	20
Ratio (i=)		70
Frequency	[Hz]	50
Input options		IEC
Requested input power	[kW]	1.1
Service factor		0.9
Rated Power P1	[kW]	0.96

### Output data

**Gear unit** **M RT 85 B3 70 90 B14 AC 32 MT 1.1 kW 90 S4 B14 X3**

Type		RT - Worm speed reducers
Input type		M
Size		85
Ratio (i=)		70
Input flange		B14
Input speed	[rpm]	1400
Output speed	[rpm]	20
Rated output torque	[Nm]	330.91
Service Factor		0.9
Efficiency		0.63
Inertia moment	[kgm <sup>2</sup> ]	0.00034

#### Gear unit configuration

Output shaft		Hollow output shaft
Fixing		Universal
Version		B3

#### Output radial and axial loads

Ball bearings output radial load	[N]	7100
Taper bearings output radial load	[N]	9400
Ball bearings output axial load	[N]	1420
Taper bearings output axial load	[N]	1880

#### Accessories

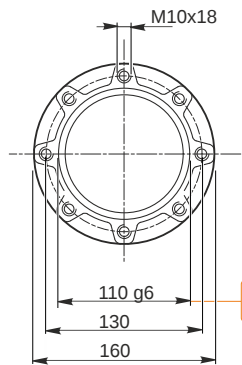
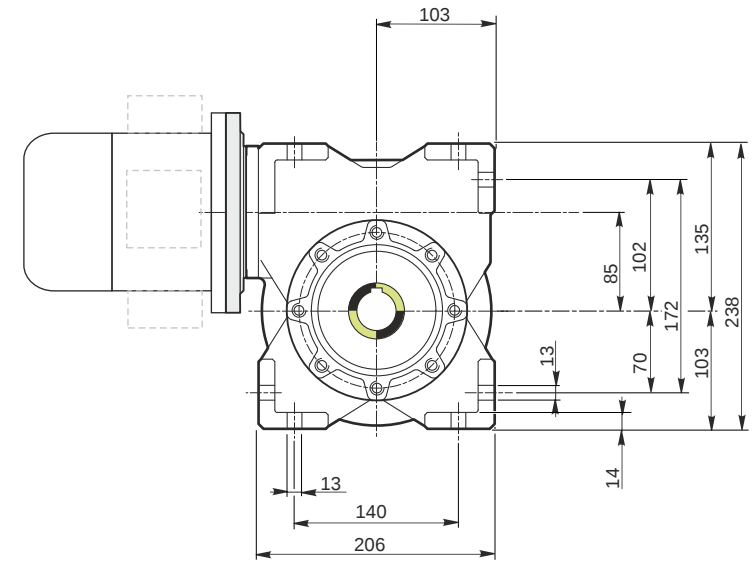
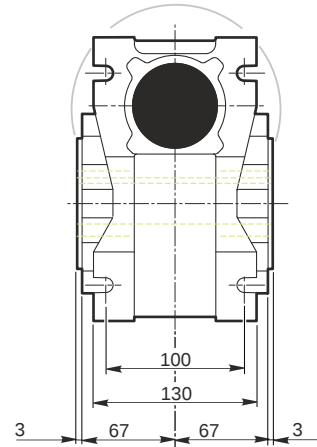
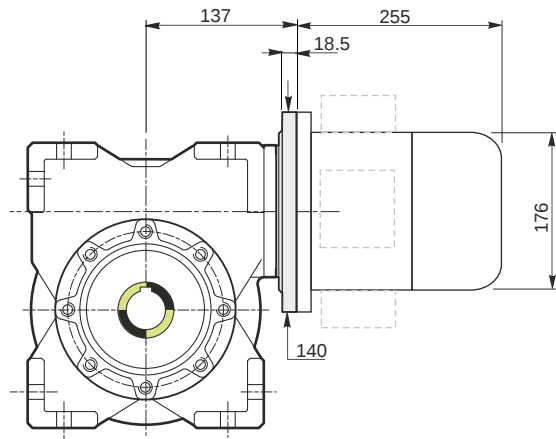
Hollow output shaft		AC 32
---------------------	--	-------

#### Electric motor

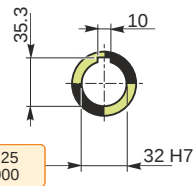
Size		90 S4
Poles		4
Power	[kW]	1.1

#### Electric motor configuration

Motor flange		B14
Terminal box position		X3

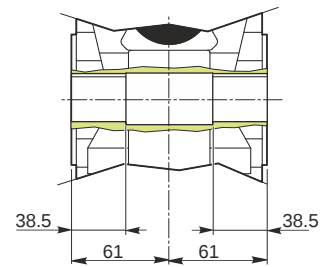


*Hollow output shaft*

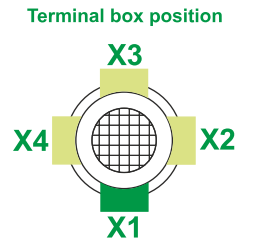
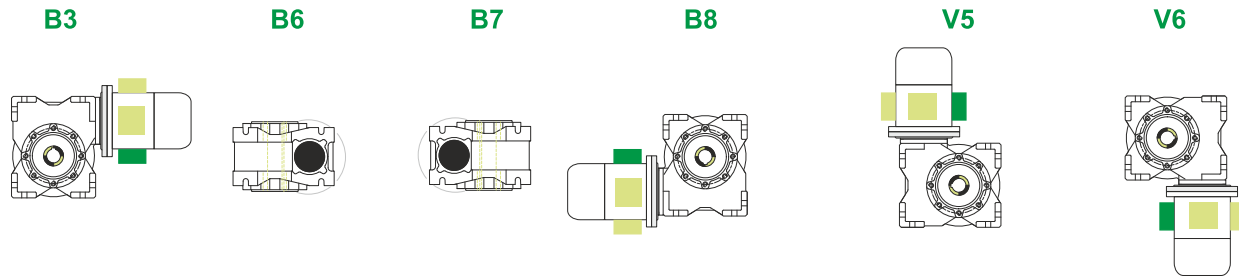


109.988  
109.966

32.025  
32.000



**Mounting positions**



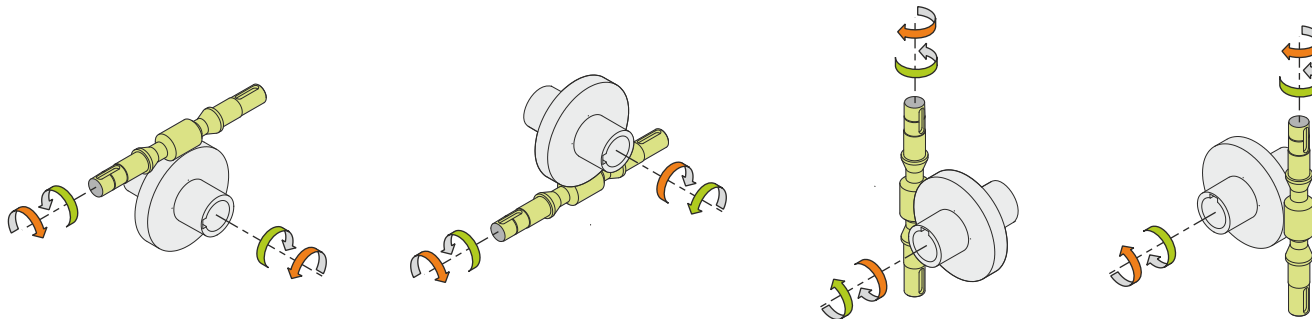
0.6



← Oil quantity [litres]

Lubricant type: Long life synthetic oil ISO VG320

**Direction of rotation**



**Weight**

Gear unit [kg]	13.5
Electric motor [kg]	12

**Gearing data**

Axial module	2
Number of starts	1
Lead angle	3° 48'
Pressure angle	20°

**Backdriving**

Static self-locking  
Slow back-driving in case of vibrations  
Low dynamic back-driving