

Input data

System of measurement		Metric
Input type		Gear motor
Input speed	[rpm]	1400
Output speed	[rpm]	93.33
Ratio (i=)		15
Frequency	[Hz]	50
Input options		IEC
Requested input power	[kW]	4
Service factor		1.6
Rated Power P1	[kW]	6.52

Output data

Gear unit **M RT 110 B3 15 112 B14 AC 42 MT 4 kW 112 A4 B14 X3**

Type		RT - Worm speed reducers
Input type		M
Size		110
Ratio (i=)		15
Input flange		B14
Input speed	[rpm]	1400
Output speed	[rpm]	93.33
Rated output torque	[Nm]	343.8
Service Factor		1.6
Efficiency		0.84
Inertia moment	[kgm ²]	0.001796

Gear unit configuration

Output shaft		Hollow output shaft
Fixing		Universal
Version		B3

Output radial and axial loads

Ball bearings output radial load	[N]	5200
Taper bearings output radial load	[N]	6700
Ball bearings output axial load	[N]	1040
Taper bearings output axial load	[N]	1340

Accessories

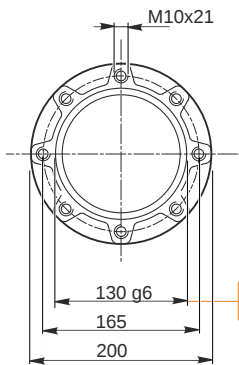
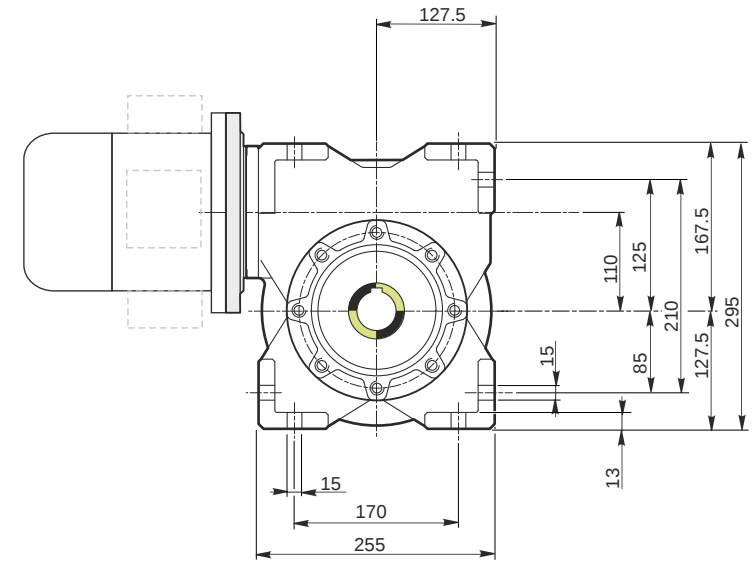
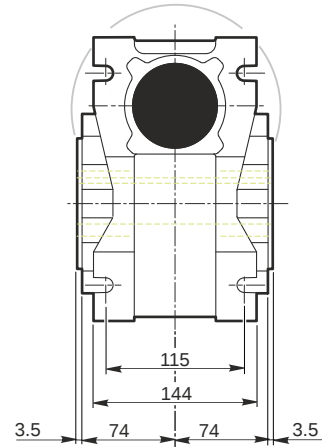
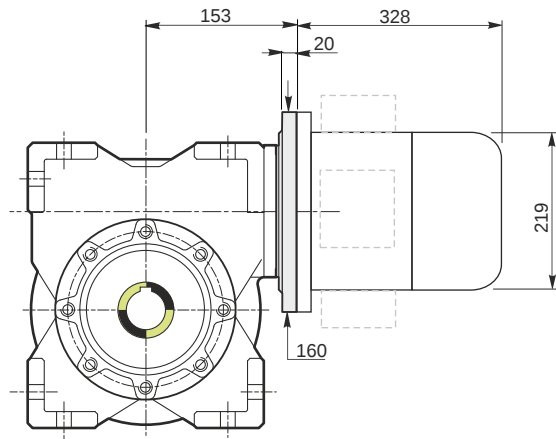
Hollow output shaft		AC 42
---------------------	--	-------

Electric motor

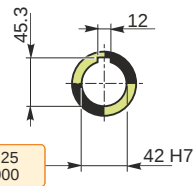
Size		112 A4
Poles		4
Power	[kW]	4

Electric motor configuration

Motor flange		B14
Terminal box position		X3

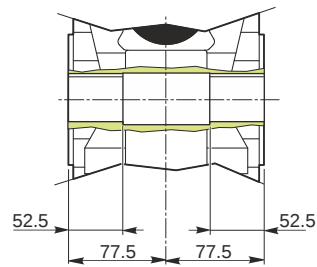


Hollow output shaft

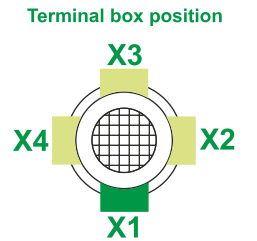
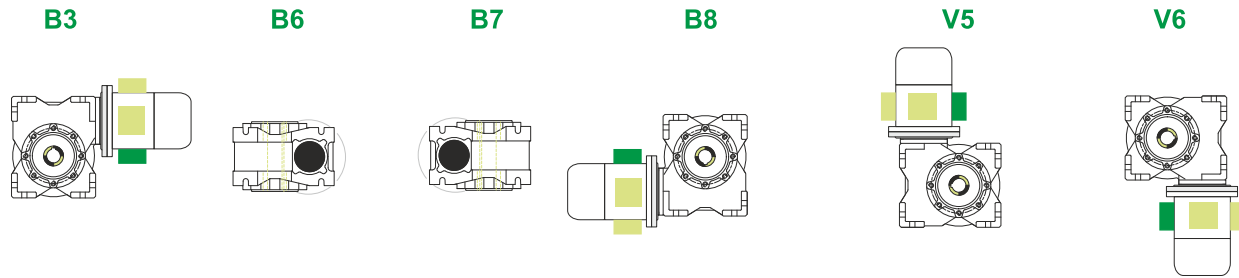


129.986
129.961

42.025
42.000



Mounting positions



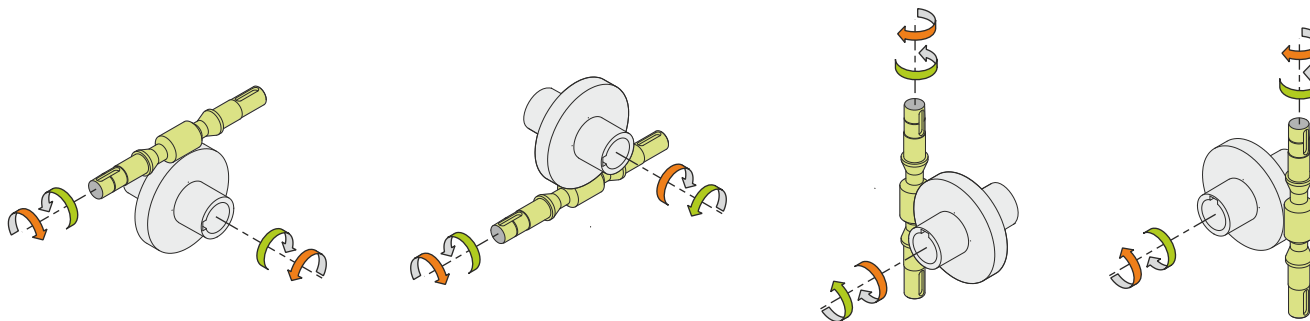
1.5



← Oil quantity [litres]

Lubricant type: Long life synthetic oil ISO VG320

Direction of rotation



Weight

Gear unit [kg]	39
Electric motor [kg]	29

Gearing data

Axial module	5.8
Number of starts	2
Lead angle	14° 09'
Pressure angle	20°

Backdriving

- Static back-driving
- Quick back-driving
- Dynamic back-driving