

Input data

System of measurement		Metric
Input type		Gear motor
Input speed	[rpm]	1400
Output speed	[rpm]	35
Ratio (i=)		40
Frequency	[Hz]	50
Input options		IEC
Requested input power	[kW]	2.2
Service factor		1.6
Rated Power P1	[kW]	3.47

Output data

Gear unit **M RT 110 B3 40 100 B14 AC 42 MT 2.2 kW 100 A4 B14 X3**

Type		RT - Worm speed reducers
Input type		M
Size		110
Ratio (i=)		40
Input flange		B14
Input speed	[rpm]	1400
Output speed	[rpm]	35
Rated output torque	[Nm]	438.21
Service Factor		1.6
Efficiency		0.73
Inertia moment	[kgm ²]	0.001696

Gear unit configuration

Output shaft		Hollow output shaft
Fixing		Universal
Version		B3

Output radial and axial loads

Ball bearings output radial load	[N]	6700
Taper bearings output radial load	[N]	9300
Ball bearings output axial load	[N]	1340
Taper bearings output axial load	[N]	1860

Accessories

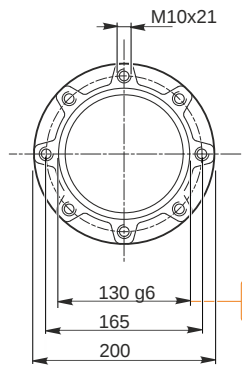
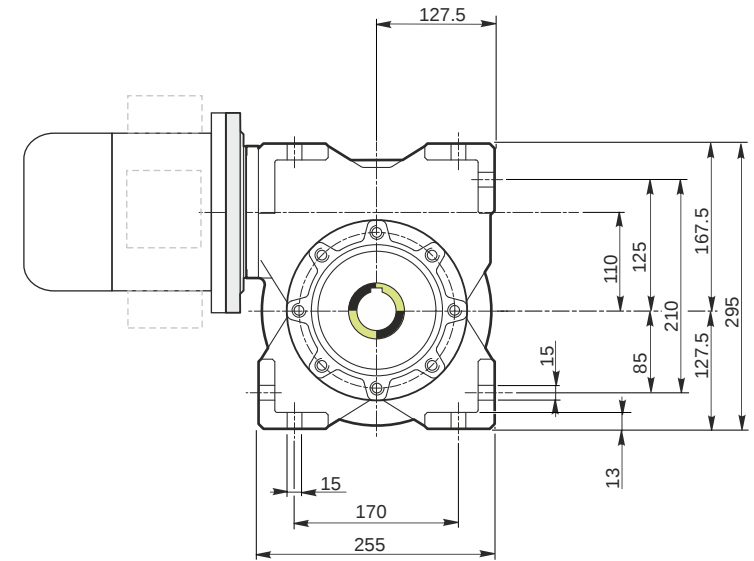
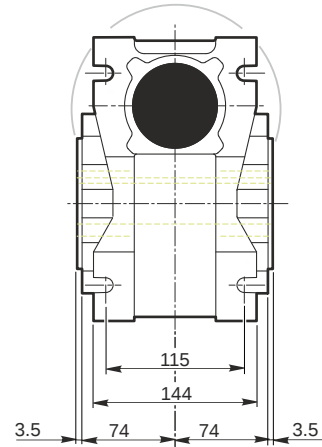
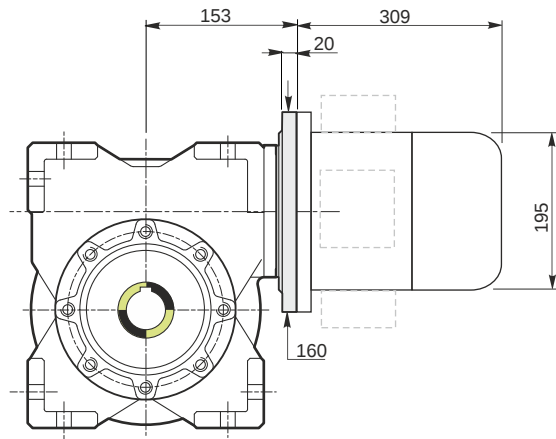
Hollow output shaft		AC 42
---------------------	--	-------

Electric motor

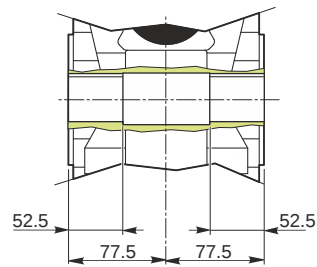
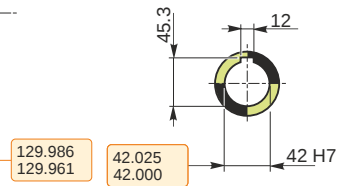
Size		100 A4
Poles		4
Power	[kW]	2.2

Electric motor configuration

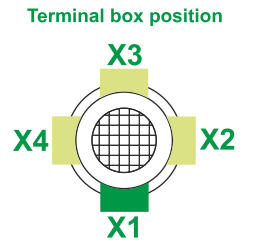
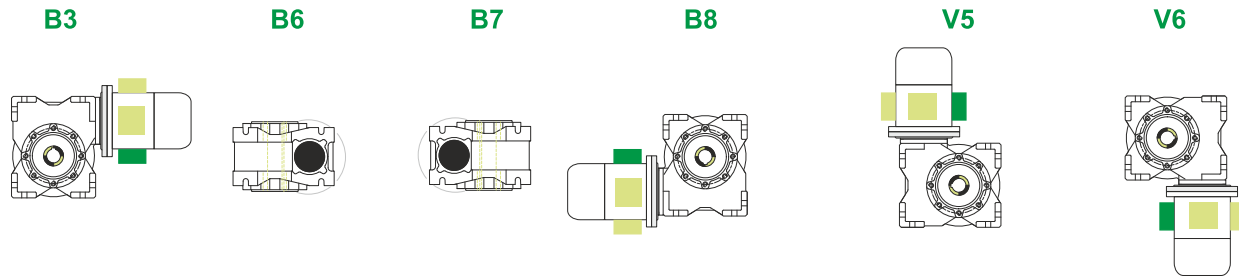
Motor flange		B14
Terminal box position		X3



Hollow output shaft



Mounting positions



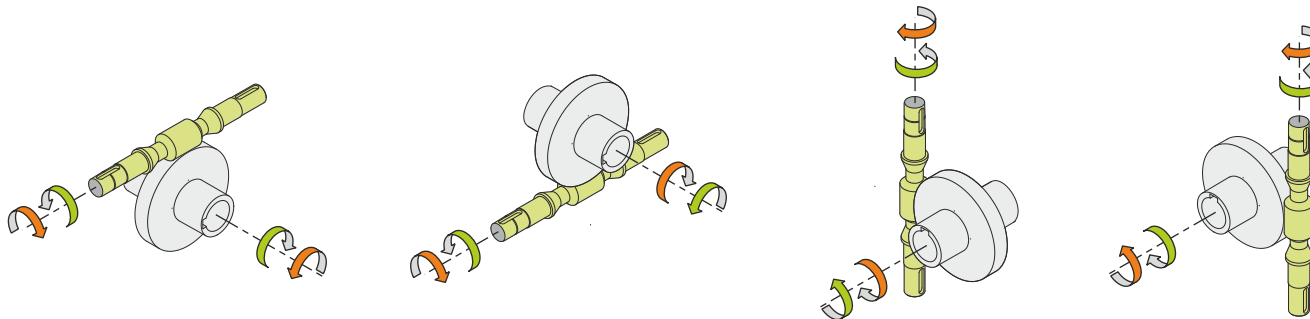
1.5



← Oil quantity [litres]

Lubricant type: Long life synthetic oil ISO VG320

Direction of rotation



Weight

Gear unit [kg]	39
Electric motor [kg]	21

Gearing data

Axial module	4.4
Number of starts	1
Lead angle	5° 42'
Pressure angle	20°

Backdriving

Static self-locking
Slow back-driving in case of vibrations
Low dynamic back-driving