

Input data

System of measurement		Metric
Input type		Coupling for electric motor
Input speed	[rpm]	1400
Output speed	[rpm]	28.57
Ratio (i=)		49
Frequency	[Hz]	50
Input options		IEC
Requested input power	[kW]	0.09
Service factor		1
Rated Power P1	[kW]	0.09

Output data

Gear unit **F RS 28 PC 49 56 B14 AC 14 B3**

Type		RS - Worm speed reducers
Input type		F (Elastic coupling)
Size		28
Ratio (i=)		49
Input flange		B14
Mounting position		B3
Input speed	[rpm]	1400
Output speed	[rpm]	28.57
Rated output torque	[Nm]	17.15
Service Factor		1
Efficiency		0.57
Inertia moment	[kgm ²]	0.000005

Gear unit configuration

Output shaft		Hollow output shaft
Fixing		Shaft mounting
Version		PC

Output radial and axial loads

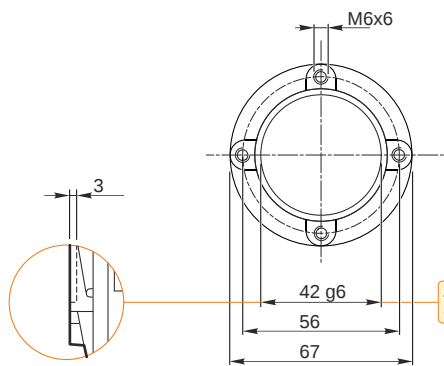
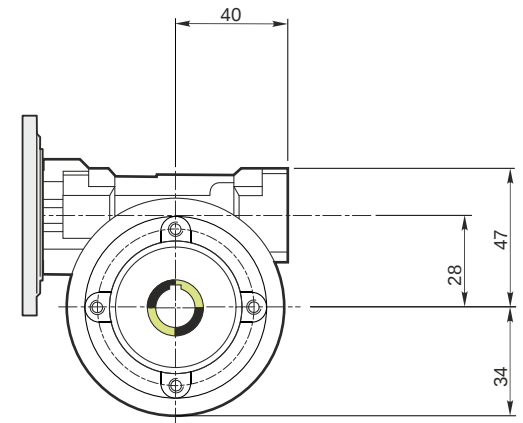
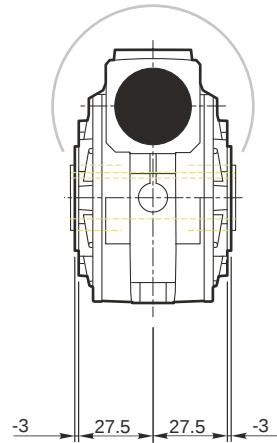
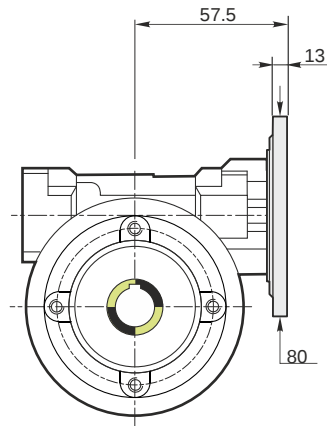
Ball bearings output radial load	[N]	750
Taper bearings output radial load	[N]	1120
Ball bearings output axial load	[N]	150
Taper bearings output axial load	[N]	224

Accessories

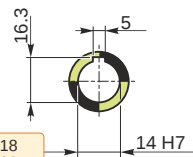
Hollow output shaft		AC 14
---------------------	--	-------

Electric motor coupling

Size		56 B4
Poles n.		4
Power	[kW]	0.09

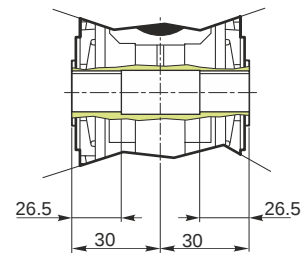


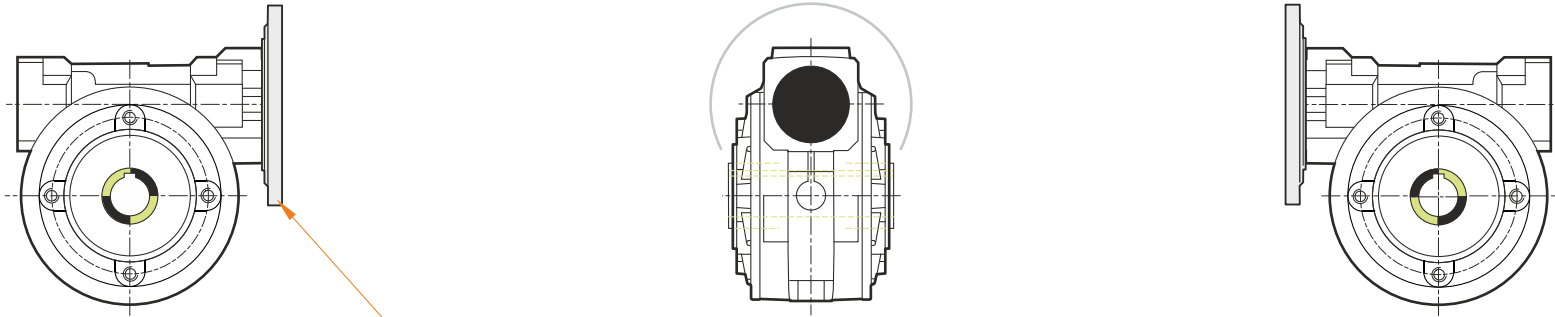
Hollow output shaft



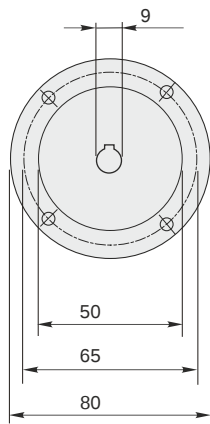
41.991
41.975

14.018
14.000



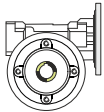


This gear unit is provided with an elastic coupling motor fitting



Mounting positions

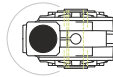
B3



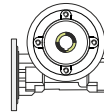
B6



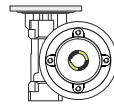
B7



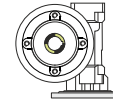
B8



V5



V6



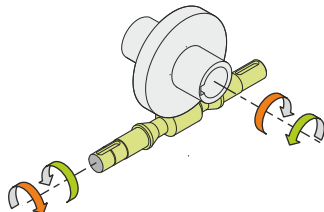
0.03



← Oil quantity [litres]

Lubricant type: Long life synthetic oil ISO VG320

Direction of rotation



Weight

Gear unit [kg] 1.1

Gearing data

Axial module 0.9
Number of starts 1
Lead angle 4° 19'
Pressure angle 20°

Backdriving

Static self-locking
Slow back-driving in case of vibrations
Low dynamic back-driving