

Input data

System of measurement		Metric
Input type		Coupling for electric motor
Input speed	[rpm]	1400
Output speed	[rpm]	70
Ratio (i=)		20
Frequency	[Hz]	50
Input options		IEC
Requested input power	[kW]	0.25
Service factor		1.5
Rated Power P1	[kW]	0.38

Output data

Gear unit F RS 40 PC 20 71 B14 AC 19 B3

Type		RS - Worm speed reducers
Input type		F (Elastic coupling)
Size		40
Ratio (i=)		20
Input flange		B14
Mounting position		B3
Input speed	[rpm]	1400
Output speed	[rpm]	70
Rated output torque	[Nm]	25.58
Service Factor		1.5
Efficiency		0.75
Inertia moment	[kgm ²]	0.000019

Gear unit configuration

Output shaft		Hollow output shaft
Fixing		Shaft mounting
Version		PC

Output radial and axial loads

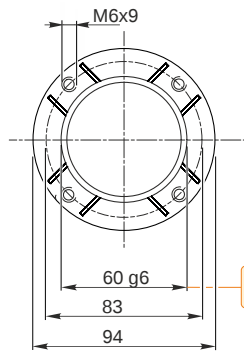
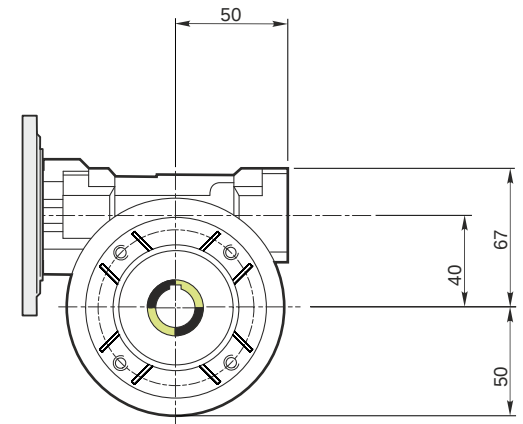
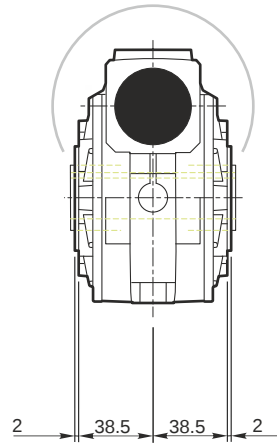
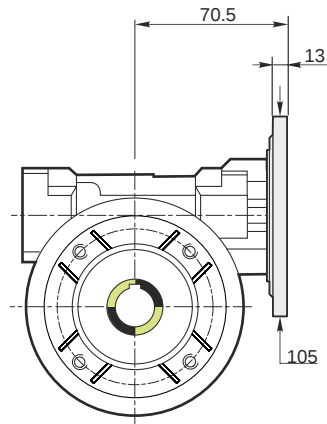
Ball bearings output radial load	[N]	1350
Taper bearings output radial load	[N]	1900
Ball bearings output axial load	[N]	270
Taper bearings output axial load	[N]	380

Accessories

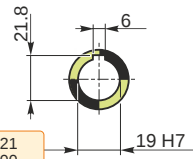
Hollow output shaft		AC 19
---------------------	--	-------

Electric motor coupling

Size		71 A4
Poles n.		4
Power	[kW]	0.25

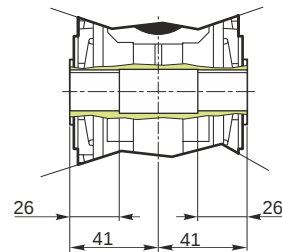


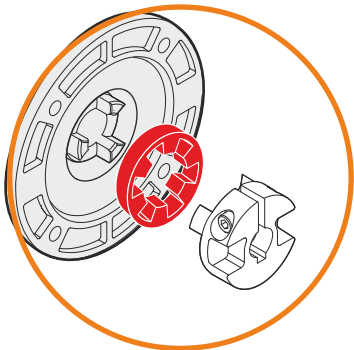
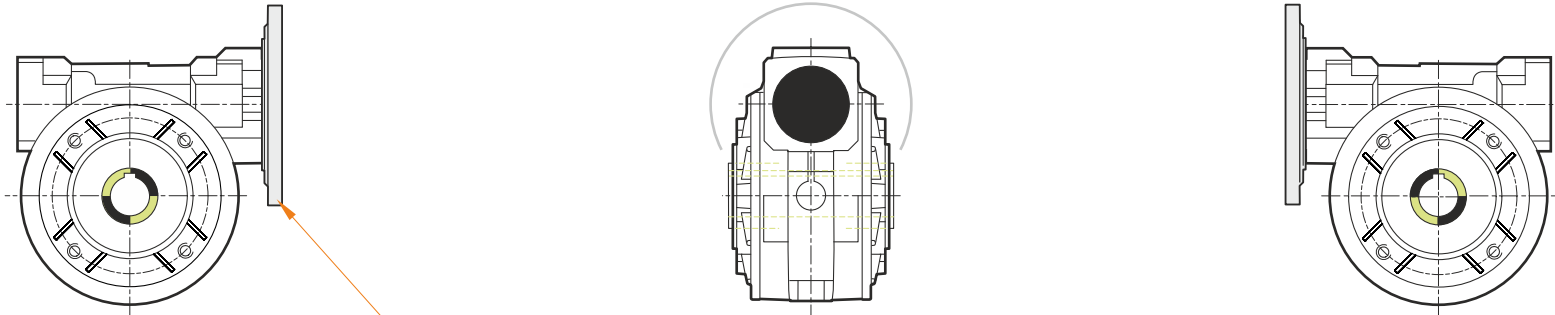
Hollow output shaft



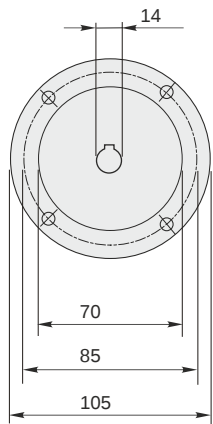
59.99
59.971

19.021
19.000





This gear unit is provided with an elastic coupling motor fitting

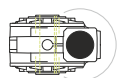


Mounting positions

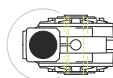
B3



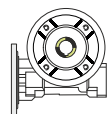
B6



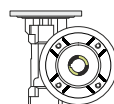
B7



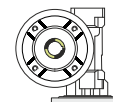
B8



V5



V6



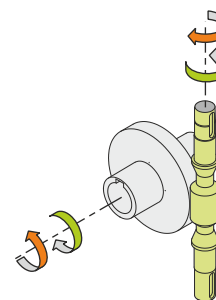
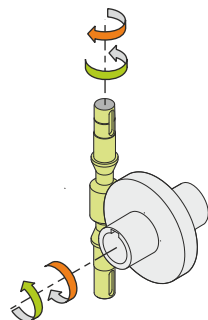
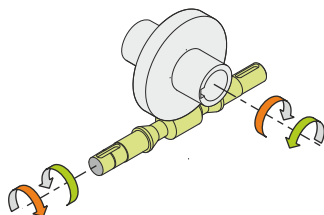
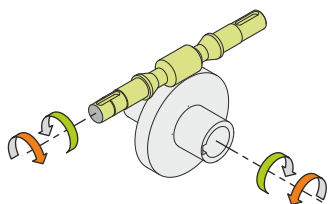
0.08



← Oil quantity [litres]

Lubricant type: Long life synthetic oil ISO VG320

Direction of rotation



Weight

Gear unit [kg] 2.5

Gearing data

Axial module	1.5
Number of starts	2
Lead angle	8° 31'
Pressure angle	20°

Backdriving

Variable static self-locking
Quick back-driving in case of vibrations
Dynamic back-driving