

Input data

System of measurement		Metric
Input type		Coupling for electric motor
Input speed	[rpm]	1400
Output speed	[rpm]	17.5
Ratio (i=)		80
Frequency	[Hz]	50
Input options		IEC
Requested input power	[kW]	0.09
Service factor		1.3
Rated Power P1	[kW]	0.12

Output data

Gear unit F RS 40 PC 80 56 B14 AC 19 B3

Type		RS - Worm speed reducers
Input type		F (Elastic coupling)
Size		40
Ratio (i=)		80
Input flange		B14
Mounting position		B3
Input speed	[rpm]	1400
Output speed	[rpm]	17.5
Rated output torque	[Nm]	24.56
Service Factor		1.3
Efficiency		0.5
Inertia moment	[kgm ²]	0.000018

Gear unit configuration

Output shaft		Hollow output shaft
Fixing		Shaft mounting
Version		PC

Output radial and axial loads

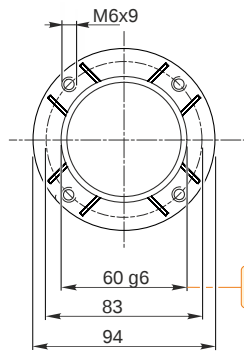
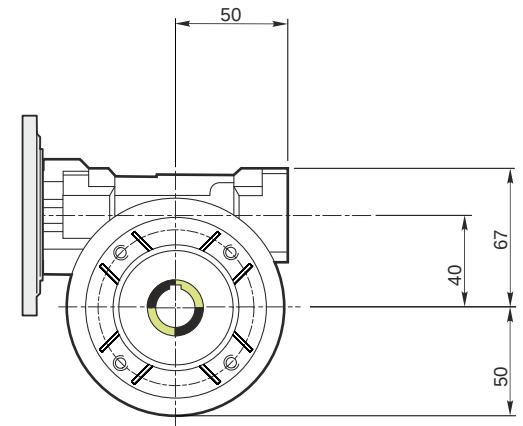
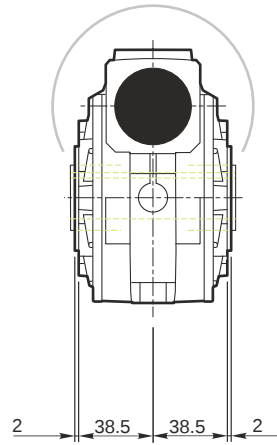
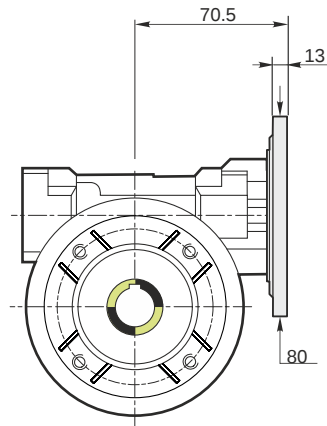
Ball bearings output radial load	[N]	2000
Taper bearings output radial load	[N]	2600
Ball bearings output axial load	[N]	400
Taper bearings output axial load	[N]	520

Accessories

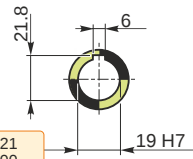
Hollow output shaft		AC 19
---------------------	--	-------

Electric motor coupling

Size		56 B4
Poles n.		4
Power	[kW]	0.09

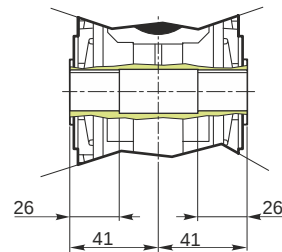


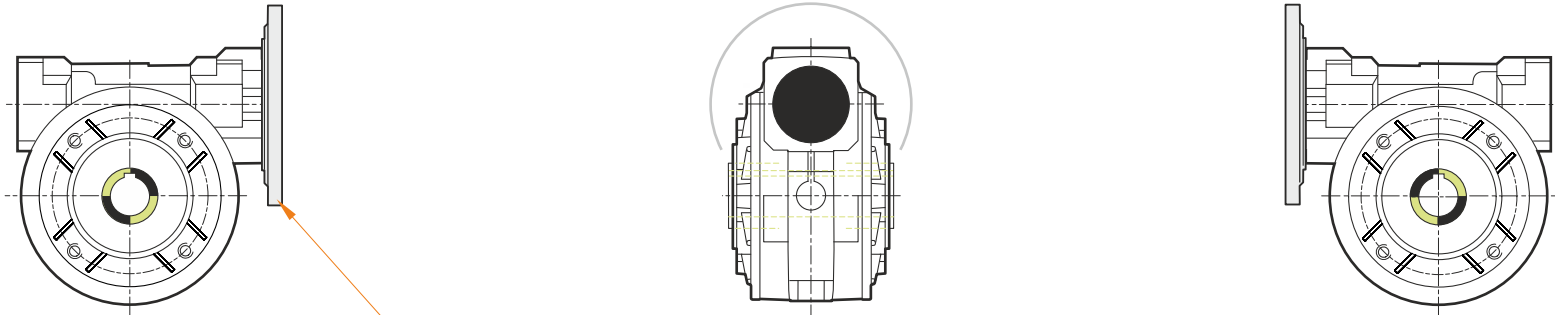
Hollow output shaft



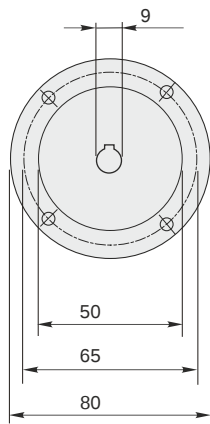
59.99
59.971

19.021
19.000



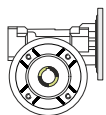


This gear unit is provided with an elastic coupling motor fitting

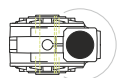


Mounting positions

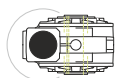
B3



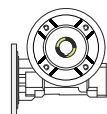
B6



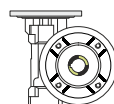
B7



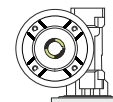
B8



V5



V6



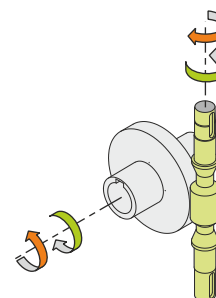
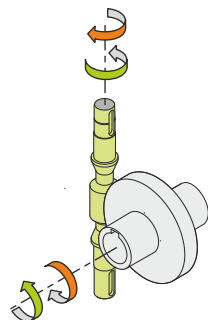
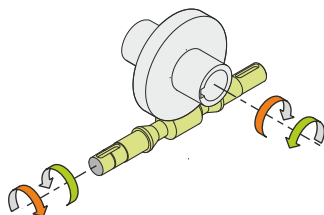
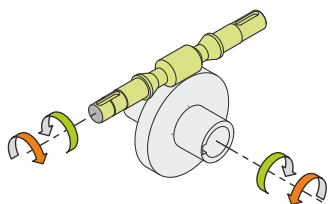
0.08



← Oil quantity [litres]

Lubricant type: Long life synthetic oil ISO VG320

Direction of rotation



Weight

Gear unit [kg] 2.5

Gearing data

Axial module	0.8
Number of starts	1
Lead angle	2° 51'
Pressure angle	20°

Backdriving

Static self-locking
No back-driving
Low dynamic back-driving