

### Input data

System of measurement		Metric
Input type		Coupling for electric motor
Input speed	[rpm]	1400
Output speed	[rpm]	25
Ratio (i=)		56
Frequency	[Hz]	50
Input options		IEC
Requested input power	[kW]	0.37
Service factor		0.8
Rated Power P1	[kW]	0.31

### Output data

#### **Gear unit** F RS 50 PC 56 71 B14 AC 24 B3

Type		RS - Worm speed reducers
Input type		F (Elastic coupling)
Size		50
Ratio (i=)		56
Input flange		B14
Mounting position		B3
Input speed	[rpm]	1400
Output speed	[rpm]	25
Rated output torque	[Nm]	84.8
Service Factor		0.8
Efficiency		0.6
Inertia moment	[kgm <sup>2</sup> ]	0.000047

#### **Gear unit configuration**

Output shaft		Hollow output shaft
Fixing		Shaft mounting
Version		PC

#### **Output radial and axial loads**

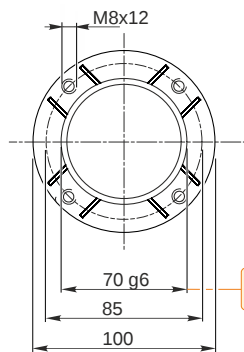
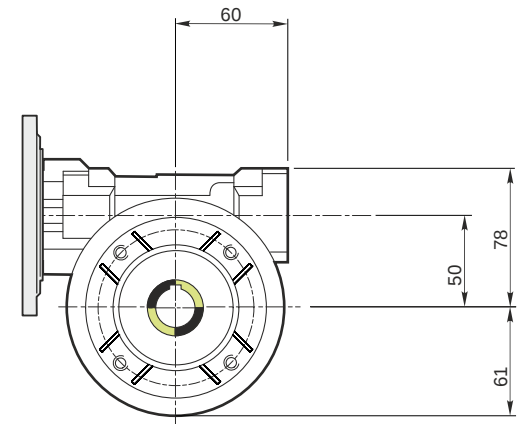
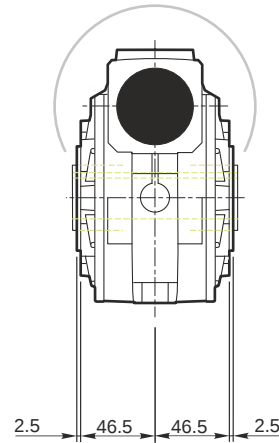
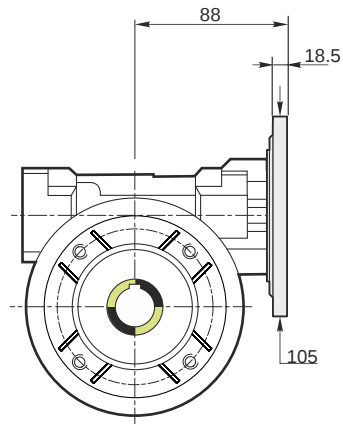
Ball bearings output radial load	[N]	2600
Taper bearings output radial load	[N]	3900
Ball bearings output axial load	[N]	520
Taper bearings output axial load	[N]	780

#### **Accessories**

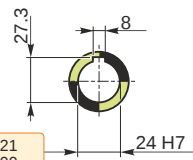
Hollow output shaft		AC 24
---------------------	--	-------

#### **Electric motor coupling**

Size		71 B4
Poles n.		4
Power	[kW]	0.37

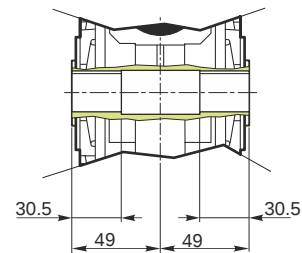


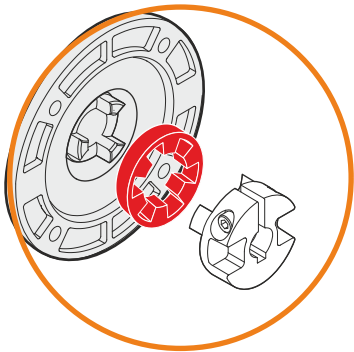
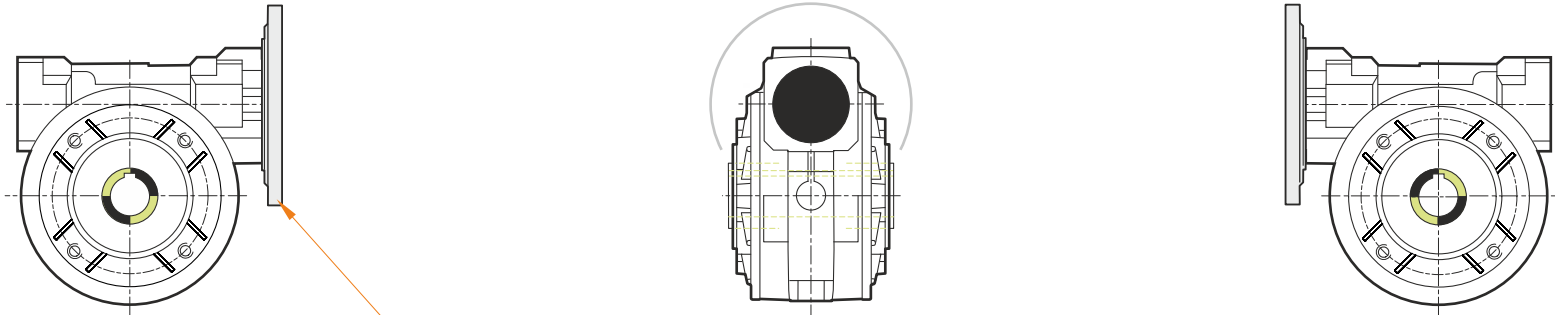
*Hollow output shaft*



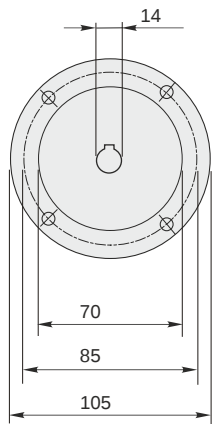
69.99  
69.971

24.021  
24.000



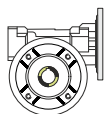


This gear unit is provided with an elastic coupling motor fitting

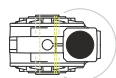


### Mounting positions

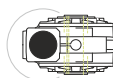
**B3**



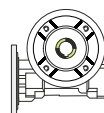
**B6**



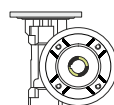
**B7**



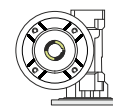
**B8**



**V5**



**V6**



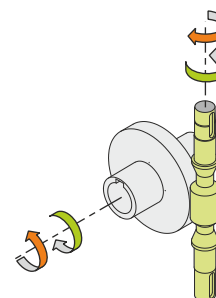
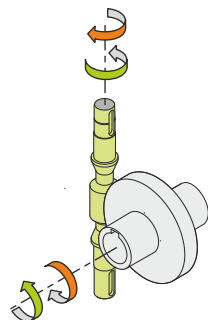
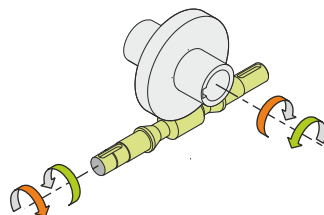
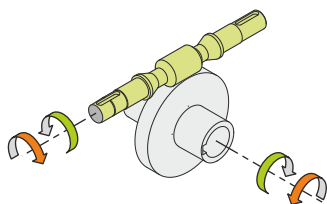
0.13



← Oil quantity [litres]

Lubricant type: Long life synthetic oil ISO VG320

### Direction of rotation



### Weight

Gear unit [kg] 3.8

### Gearing data

Axial module	1.4
Number of starts	1
Lead angle	3° 42'
Pressure angle	20°

### Backdriving

Static self-locking  
Slow back-driving in case of vibrations  
Low dynamic back-driving