

### Input data

System of measurement		Metric
Input type		Coupling for electric motor
Input speed	[rpm]	1400
Output speed	[rpm]	14
Ratio (i=)		100
Frequency	[Hz]	50
Input options		IEC
Requested input power	[kW]	0.25
Service factor		1
Rated Power P1	[kW]	0.25

### Output data

#### **Gear unit** F RS 60 PC 100 71 B14 AC 25 B3

Type		RS - Worm speed reducers
Input type		F (Elastic coupling)
Size		60
Ratio (i=)		100
Input flange		B14
Mounting position		B3
Input speed	[rpm]	1400
Output speed	[rpm]	14
Rated output torque	[Nm]	83.56
Service Factor		1
Efficiency		0.49
Inertia moment	[kgm <sup>2</sup> ]	0.000104

#### **Gear unit configuration**

Output shaft		Hollow output shaft
Fixing		Shaft mounting
Version		PC

#### **Output radial and axial loads**

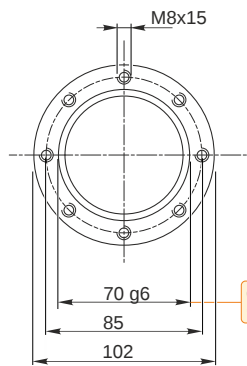
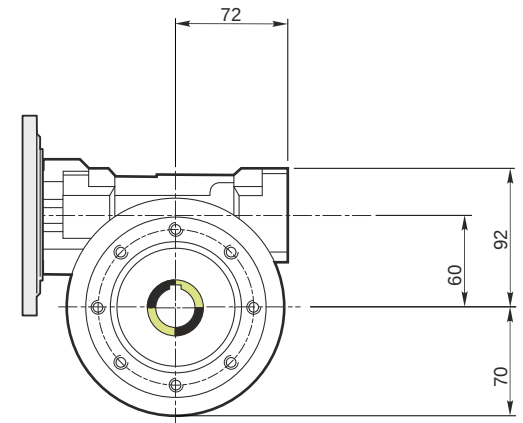
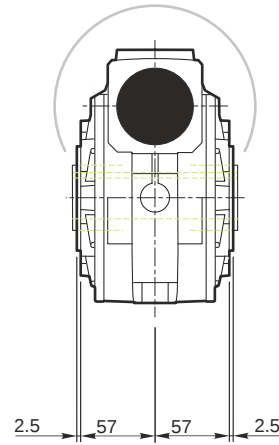
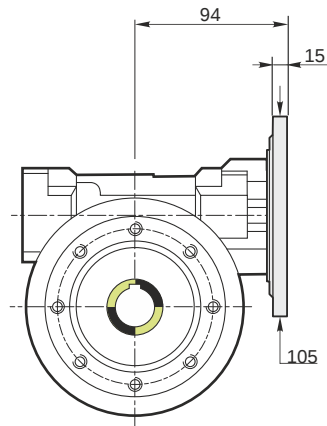
Ball bearings output radial load	[N]	5600
Taper bearings output radial load	[N]	6600
Ball bearings output axial load	[N]	1120
Taper bearings output axial load	[N]	1320

#### **Accessories**

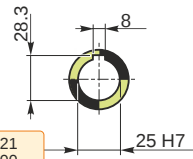
Hollow output shaft		AC 25
---------------------	--	-------

#### **Electric motor coupling**

Size		71 A4
Poles n.		4
Power	[kW]	0.25

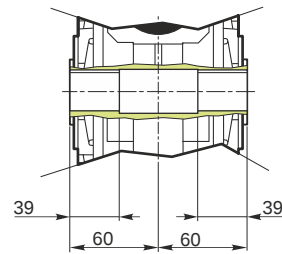


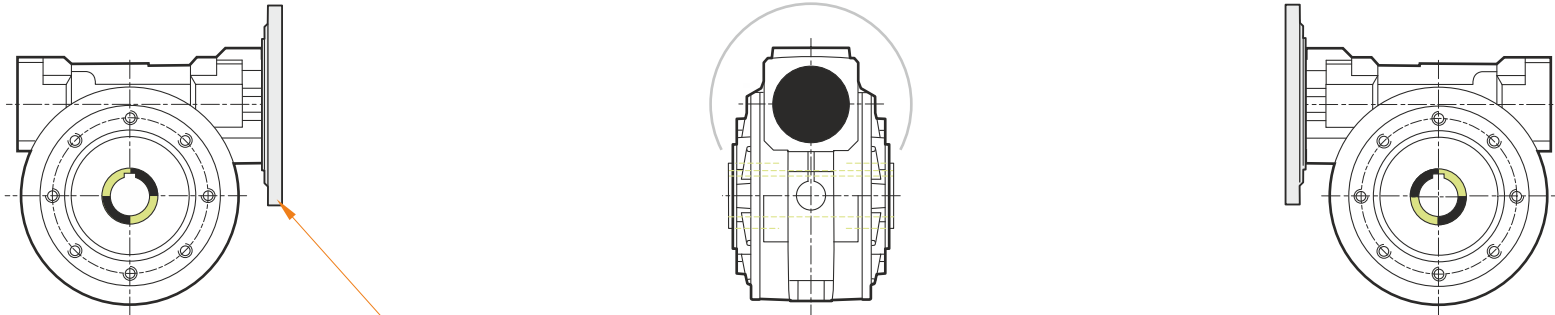
Hollow output shaft



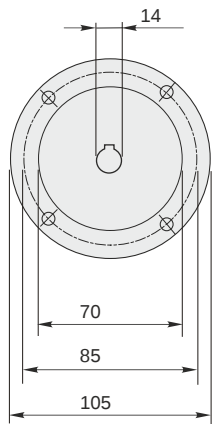
69.99  
69.971

25.021  
25.000



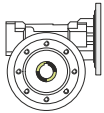


This gear unit is provided with an elastic coupling motor fitting



**Mounting positions**

**B3**



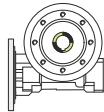
**B6**



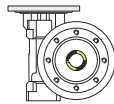
**B7**



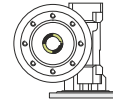
**B8**



**V5**



**V6**



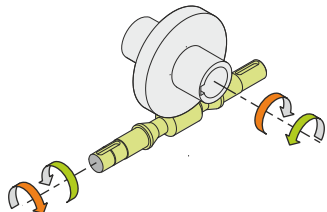
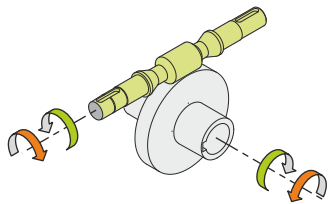
0.23



← Oil quantity [litres]

Lubricant type: Long life synthetic oil ISO VG320

**Direction of rotation**



**Weight**

Gear unit [kg] 6.5

**Gearing data**

Axial module	1
Number of starts	1
Lead angle	2° 51'
Pressure angle	20°

**Backdriving**

Static self-lkging  
No back-driving  
Low dynamic back-driving