

### Input data

System of measurement		Metric
Input type		Coupling for electric motor
Input speed	[rpm]	1400
Output speed	[rpm]	20
Ratio (i=)		70
Frequency	[Hz]	50
Input options		IEC
Requested input power	[kW]	0.55
Service factor		1.1
Rated Power P1	[kW]	0.58

### Output data

#### Gear unit **F RS 70 PC 70 80 B14 AC 28 B3**

Type		RS - Worm speed reducers
Input type		F (Elastic coupling)
Size		70
Ratio (i=)		70
Input flange		B14
Mounting position		B3
Input speed	[rpm]	1400
Output speed	[rpm]	20
Rated output torque	[Nm]	154.95
Service Factor		1.1
Efficiency		0.59
Inertia moment	[kgm <sup>2</sup> ]	0.000244

#### Gear unit configuration

Output shaft		Hollow output shaft
Fixing		Shaft mounting
Version		PC

#### Output radial and axial loads

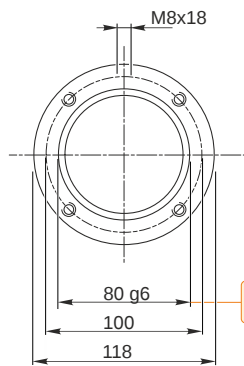
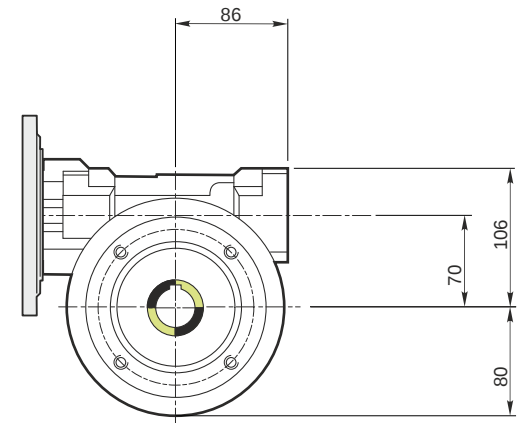
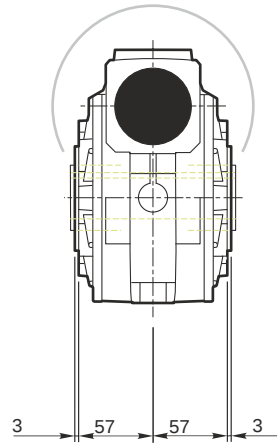
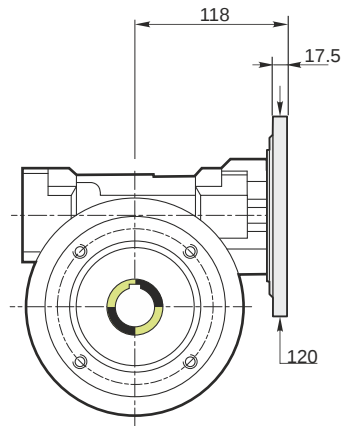
Ball bearings output radial load	[N]	5900
Taper bearings output radial load	[N]	7900
Ball bearings output axial load	[N]	1180
Taper bearings output axial load	[N]	1580

#### Accessories

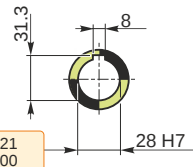
Hollow output shaft		AC 28
---------------------	--	-------

#### Electric motor coupling

Size		80 A4
Poles n.		4
Power	[kW]	0.55

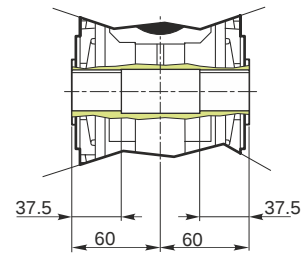


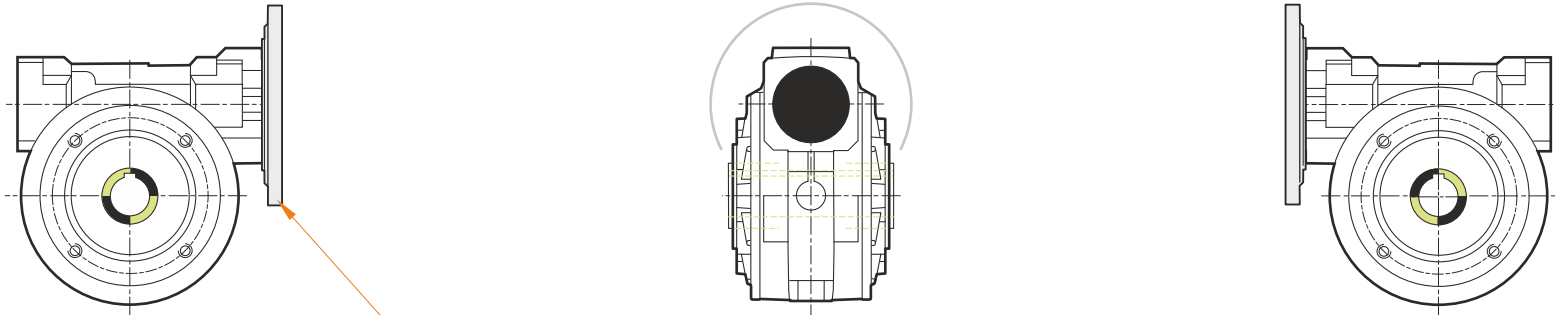
Hollow output shaft



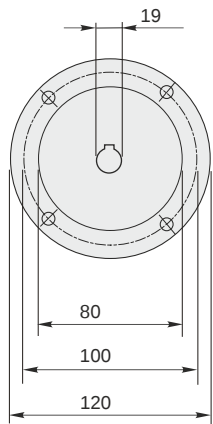
79.99  
79.971

28.021  
28.000



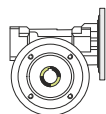


This gear unit is provided with an elastic coupling motor fitting

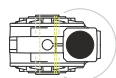


### Mounting positions

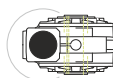
B3



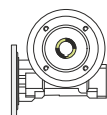
B6



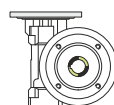
B7



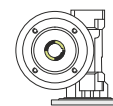
B8



V5



V6



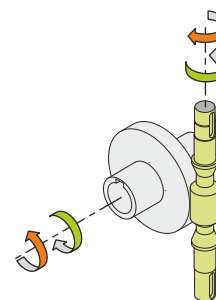
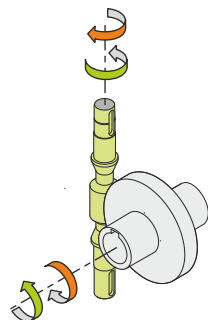
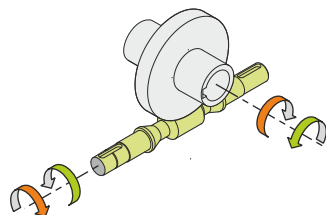
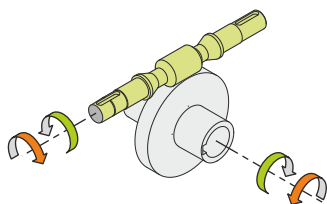
0.35



← Oil quantity [litres]

Lubricant type: Long life synthetic oil ISO VG320

### Direction of rotation



### Weight

Gear unit [kg] 9

### Gearing data

Axial module	1.6
Number of starts	1
Lead angle	3° 16'
Pressure angle	20°

### Backdriving

Static self-locking  
Slow back-driving in case of vibrations  
Low dynamic back-driving