

Input data

System of measurement		Metric
Input type		Coupling for electric motor
Input speed	[rpm]	1400
Output speed	[rpm]	35
Ratio (i=)		40
Frequency	[Hz]	50
Input options		IEC
Requested input power	[kW]	1.5
Service factor		1.1
Rated Power P1	[kW]	1.65

Output data

Gear unit F RS 85 PC 40 90 B14 AC 32 B3

Type		RS - Worm speed reducers
Input type		F (Elastic coupling)
Size		85
Ratio (i=)		40
Input flange		B14
Mounting position		B3
Input speed	[rpm]	1400
Output speed	[rpm]	35
Rated output torque	[Nm]	294.69
Service Factor		1.1
Efficiency		0.72
Inertia moment	[kgm ²]	0.000344

Gear unit configuration

Output shaft		Hollow output shaft
Fixing		Shaft mounting
Version		PC

Output radial and axial loads

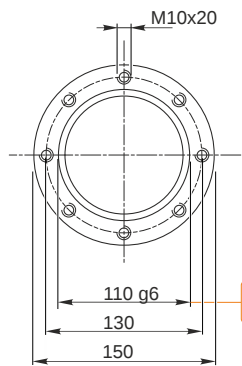
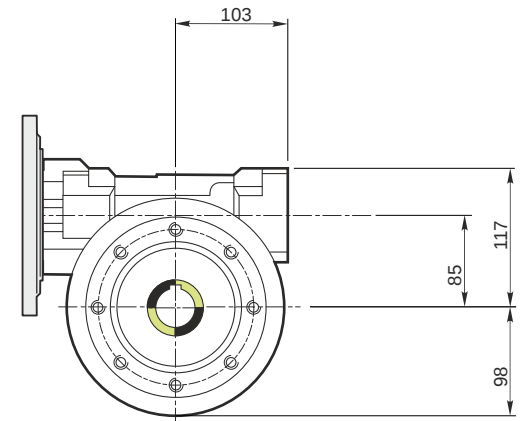
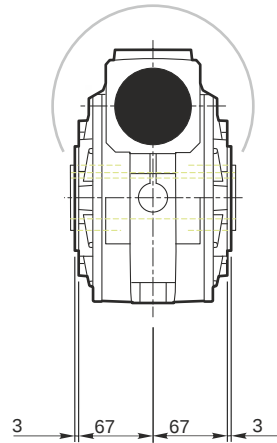
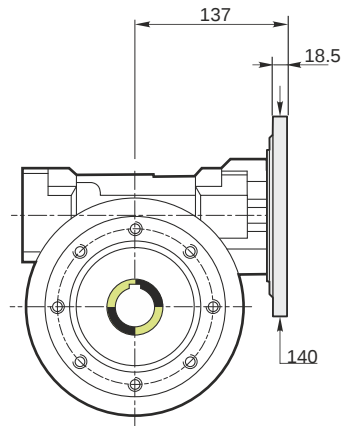
Ball bearings output radial load	[N]	5500
Taper bearings output radial load	[N]	7300
Ball bearings output axial load	[N]	1100
Taper bearings output axial load	[N]	1460

Accessories

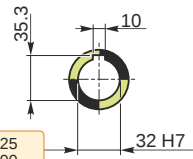
Hollow output shaft		AC 32
---------------------	--	-------

Electric motor coupling

Size		90 L4
Poles n.		4
Power	[kW]	1.5

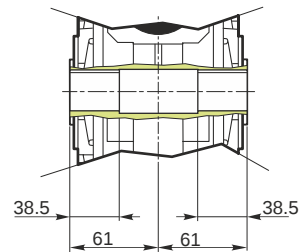


Hollow output shaft

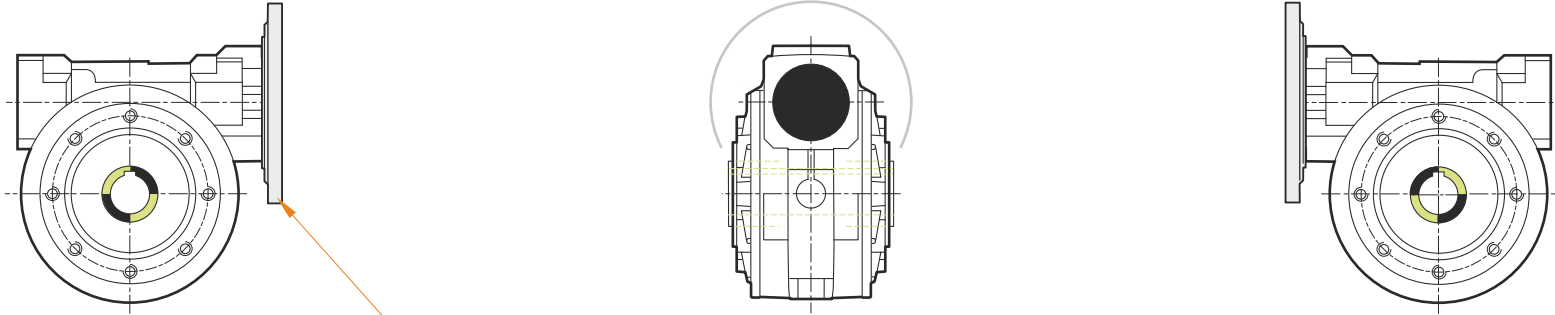


109.988
109.966

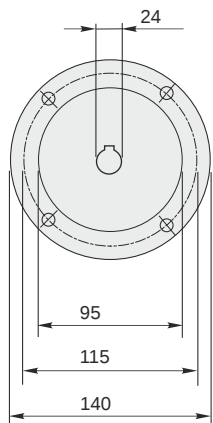
32.025
32.000



F RS 85 PC 40 90 B14 AC 32 B3

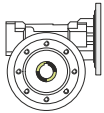


This gear unit is provided with an elastic coupling motor fitting



Mounting positions

B3



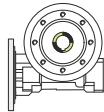
B6



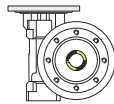
B7



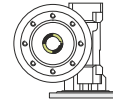
B8



V5



V6



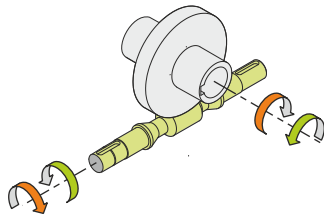
0.6



← Oil quantity [litres]

Lubricant type: Long life synthetic oil ISO VG320

Direction of rotation



Weight

Gear unit [kg] 13.5

Gearing data

Axial module	3.4
Number of starts	1
Lead angle	5° 52'
Pressure angle	20°

Backdriving

Static self-locking
Slow back-driving in case of vibrations
Low dynamic back-driving