

Input data

System of measurement		Metric
Input type		Coupling for electric motor
Input speed	[rpm]	1400
Output speed	[rpm]	140
Ratio (i=)		10
Frequency	[Hz]	50
Input options		IEC
Requested input power	[kW]	9.2
Service factor		1.6
Rated Power P1	[kW]	15

Output data

Gear unit F RS 130 PC 10 132 B14 AC 48 B3

Type		RS - Worm speed reducers
Input type		F
Size		130
Ratio (i=)		10
Input flange		B14
Mounting position		B3
Input speed	[rpm]	1400
Output speed	[rpm]	140
Rated output torque	[Nm]	545.99
Service Factor		1.6
Efficiency		0.87
Inertia moment	[kgm ²]	0.003282

Gear unit configuration

Output shaft		Hollow output shaft
Fixing		Shaft mounting
Version		PC

Output radial and axial loads

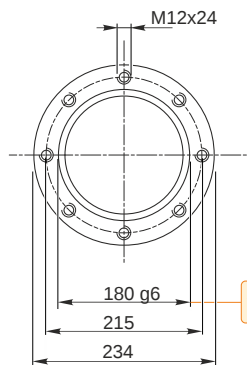
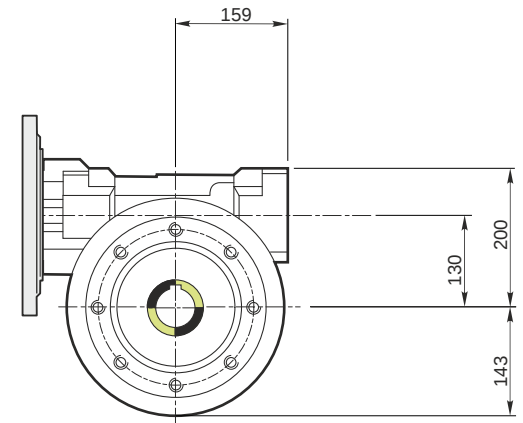
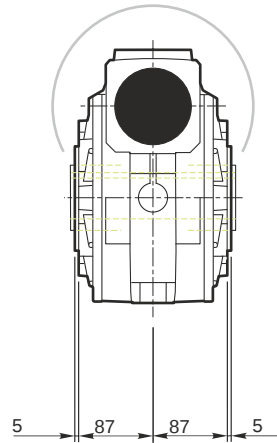
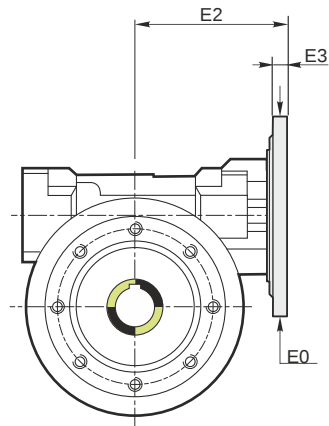
Ball bearings output radial load	[N]	5650
Taper bearings output radial load	[N]	7900
Ball bearings output axial load	[N]	1130
Taper bearings output axial load	[N]	1580

Accessories

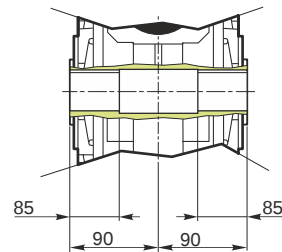
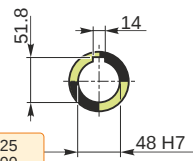
Hollow output shaft		AC 48
---------------------	--	-------

Electric motor coupling

Size		132 ML4
Poles n.		4
Power	[kW]	9.2

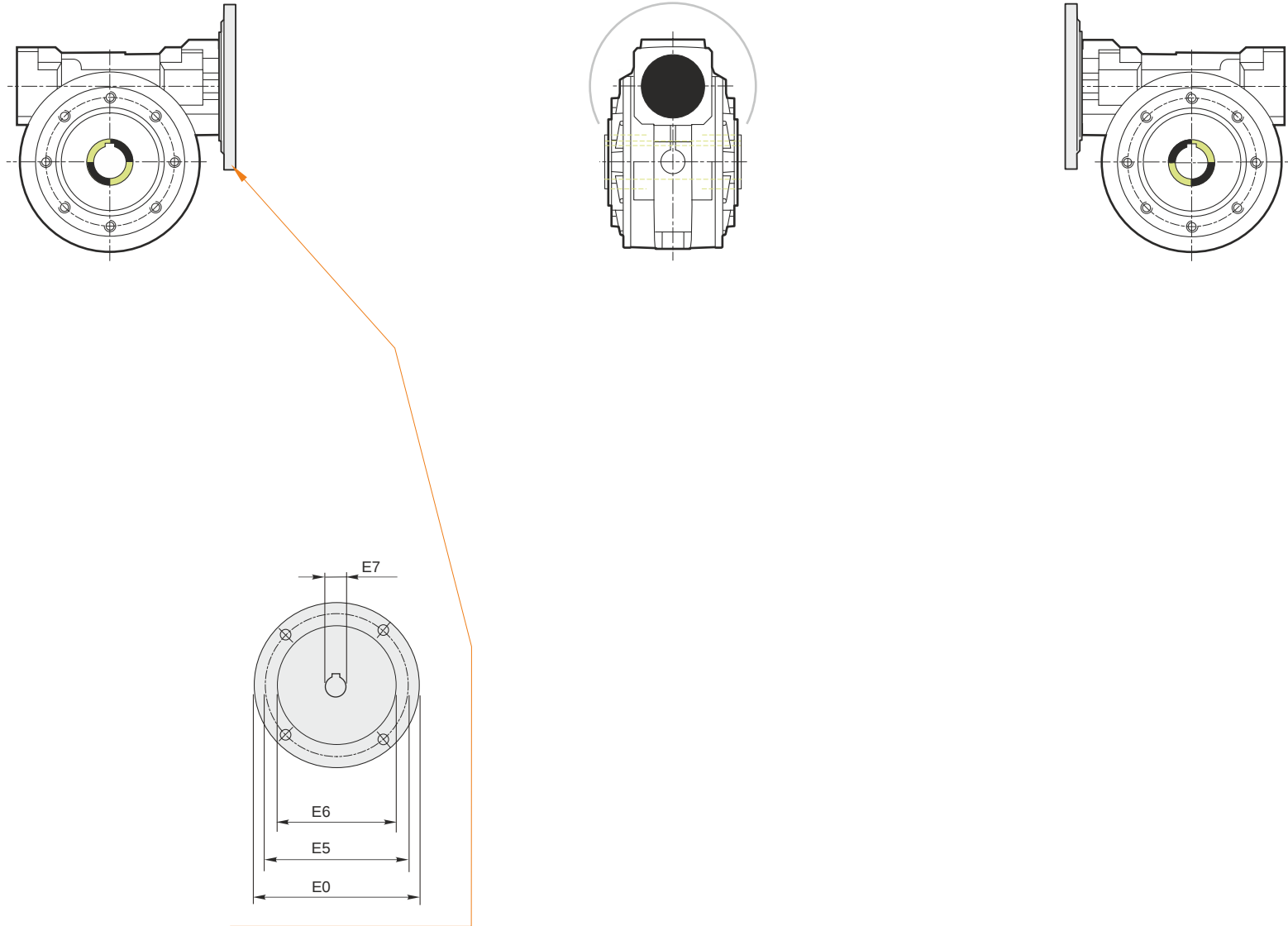


Hollow output shaft



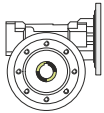
179.986
179.961

48.025
48.000



Mounting positions

B3



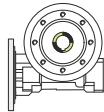
B6



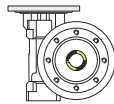
B7



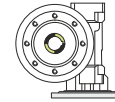
B8



V5



V6



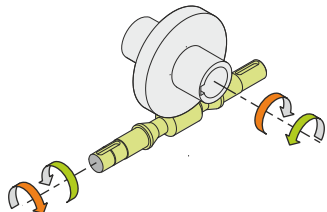
2.75



← Oil quantity [litres]

Lubricant type: Long life synthetic oil ISO VG320

Direction of rotation



Weight

Gear unit [kg] 50

Gearing data

Axial module 6.90
Number of starts 3
Lead angle 21° 20'
Pressure angle 20°

Backdriving

Static back-driving
Quick back-driving
Dynamic back-driving