

### Input data

System of measurement		Metric
Input type		Coupling for electric motor
Input speed	[rpm]	1400
Output speed	[rpm]	140
Ratio (i=)		10
Frequency	[Hz]	50
Input options		IEC
Requested input power	[kW]	15
Service factor		1.4
Rated Power P1	[kW]	20.99

### Output data

#### **Gear unit** F RS 150 PC 10 160 B5 AC 55 B3

Type		RS - Worm speed reducers
Input type		F (Elastic coupling)
Size		150
Ratio (i=)		10
Input flange		
Mounting position		B3
Input speed	[rpm]	1400
Output speed	[rpm]	140
Rated output torque	[Nm]	900.43
Service Factor		1.4
Efficiency		0.88
Inertia moment	[kgm <sup>2</sup> ]	0.006961

#### **Gear unit configuration**

Output shaft		Hollow output shaft
Fixing		Shaft mounting
Version		PC

#### **Output radial and axial loads**

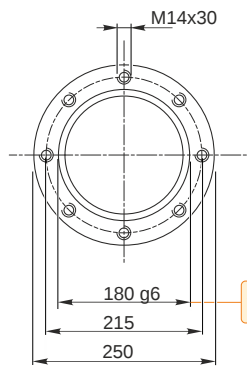
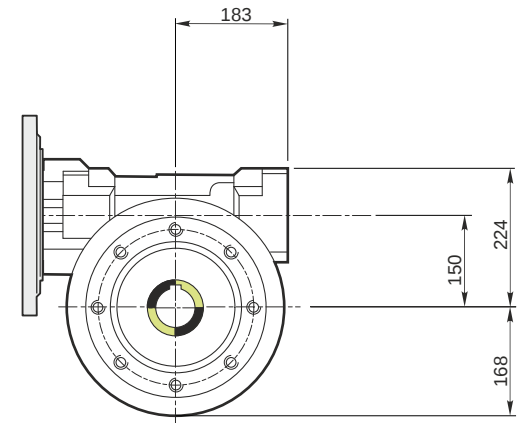
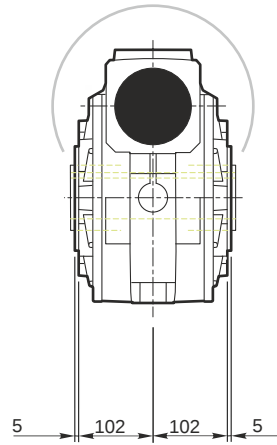
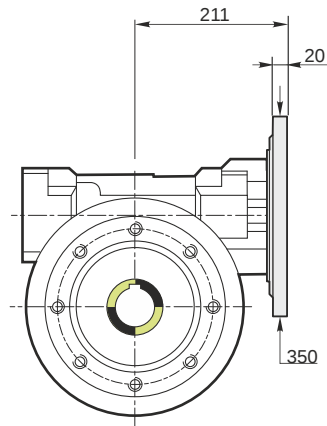
Ball bearings output radial load	[N]	7700
Taper bearings output radial load	[N]	10800
Ball bearings output axial load	[N]	1540
Taper bearings output axial load	[N]	2160

#### **Accessories**

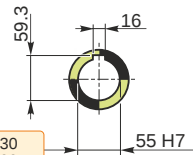
Hollow output shaft		AC 55
---------------------	--	-------

#### **Electric motor coupling**

Size		160 L4
Poles n.		4
Power	[kW]	15

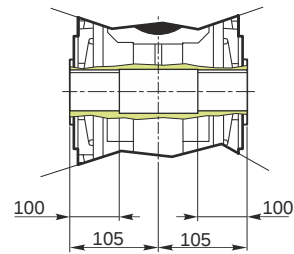


Hollow output shaft

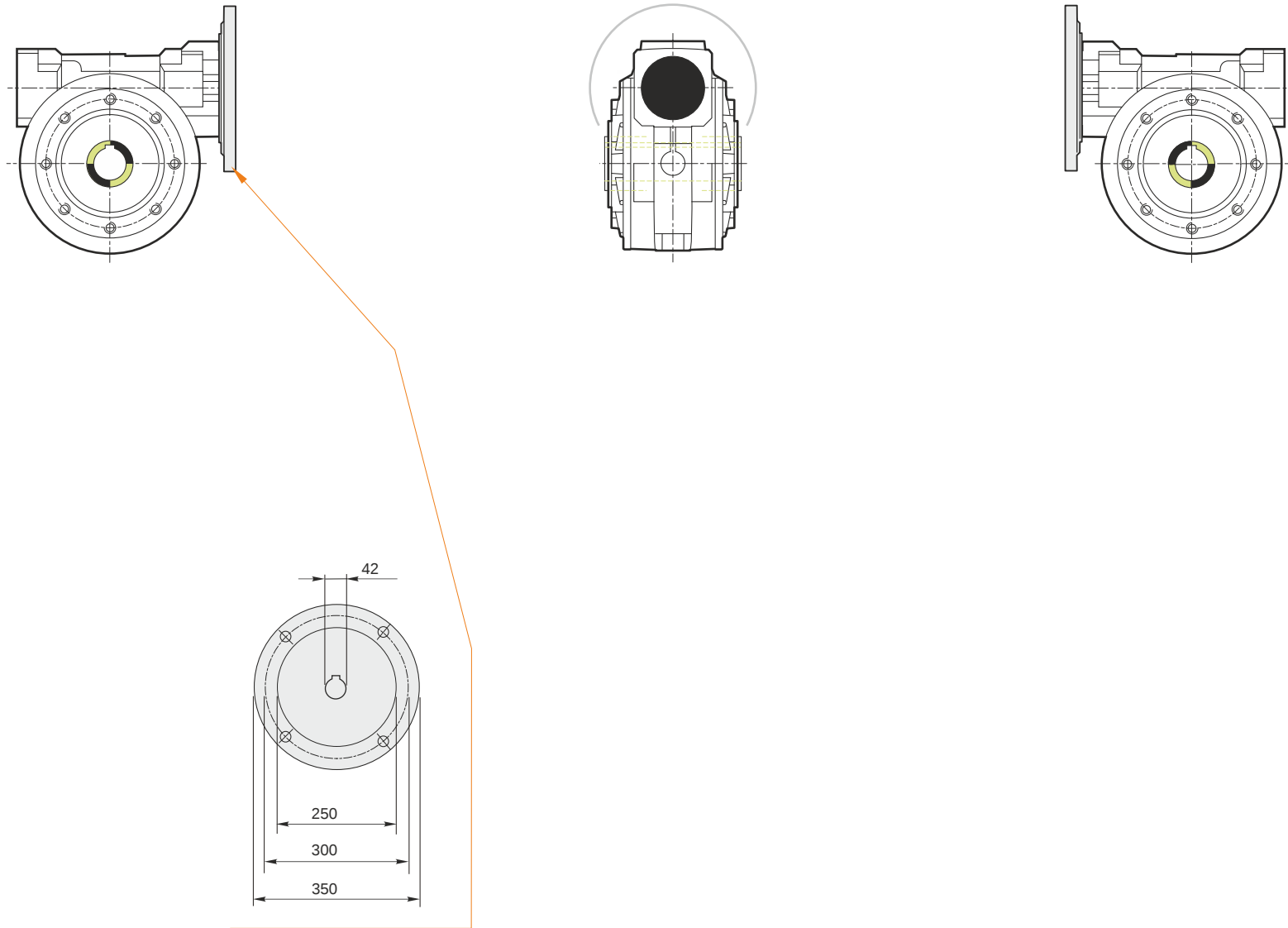


179.986  
179.961

55.030  
55.000

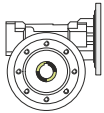


**F RS 150 PC 10 160 B5 AC 55 B3**

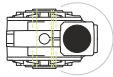


**Mounting positions**

**B3**



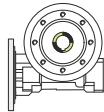
**B6**



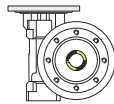
**B7**



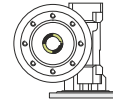
**B8**



**V5**



**V6**



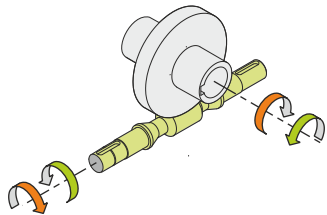
4.4



← Oil quantity [litres]

Lubricant type: Long life synthetic oil ISO VG320

**Direction of rotation**



**Weight**

Gear unit [kg] 80

**Gearing data**

Axial module 8.00  
Number of starts 3  
Lead angle 21° 48'  
Pressure angle 20°

**Backdriving**

Static back-driving  
Quick back-driving  
Dynamic back-driving