

Input data

System of measurement		Metric
Input type		Coupling for electric motor
Input speed	[rpm]	1400
Output speed	[rpm]	50
Ratio (i=)		28
Frequency	[Hz]	50
Input options		IEC
Requested input power	[kW]	9.2
Service factor		1
Rated Power P1	[kW]	9.51

Output data

Gear unit F RS 150 PC 28 132 B14 AC 55 B3

Type		RS - Worm speed reducers
Input type		F (Elastic coupling)
Size		150
Ratio (i=)		28
Input flange		B14
Mounting position		B3
Input speed	[rpm]	1400
Output speed	[rpm]	50
Rated output torque	[Nm]	1388.19
Service Factor		1
Efficiency		0.79
Inertia moment	[kgm ²]	0.005944

Gear unit configuration

Output shaft		Hollow output shaft
Fixing		Shaft mounting
Version		PC

Output radial and axial loads

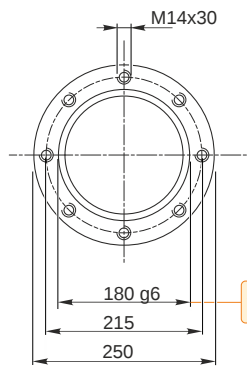
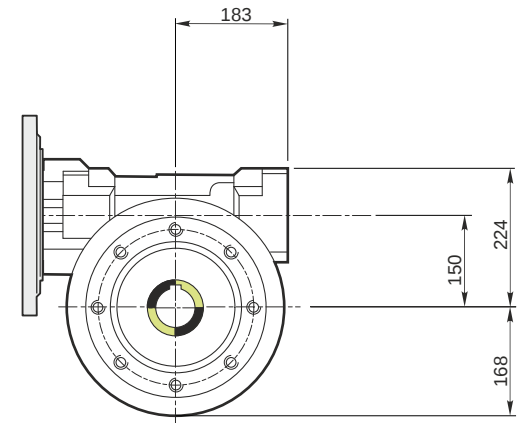
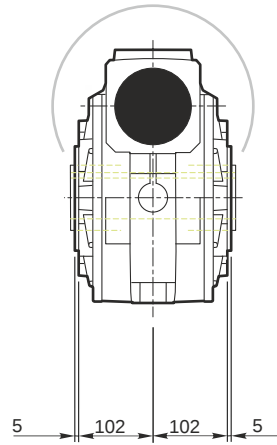
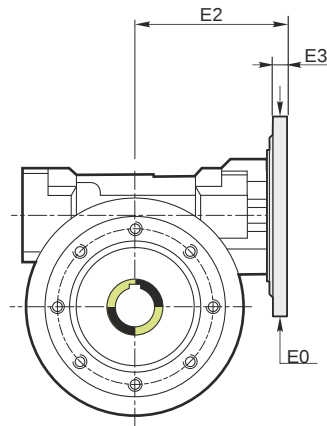
Ball bearings output radial load	[N]	9000
Taper bearings output radial load	[N]	13500
Ball bearings output axial load	[N]	1800
Taper bearings output axial load	[N]	2700

Accessories

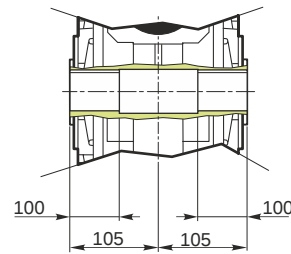
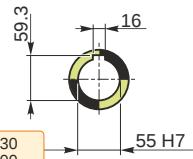
Hollow output shaft		AC 55
---------------------	--	-------

Electric motor coupling

Size		132 ML4
Poles n.		4
Power	[kW]	9.2

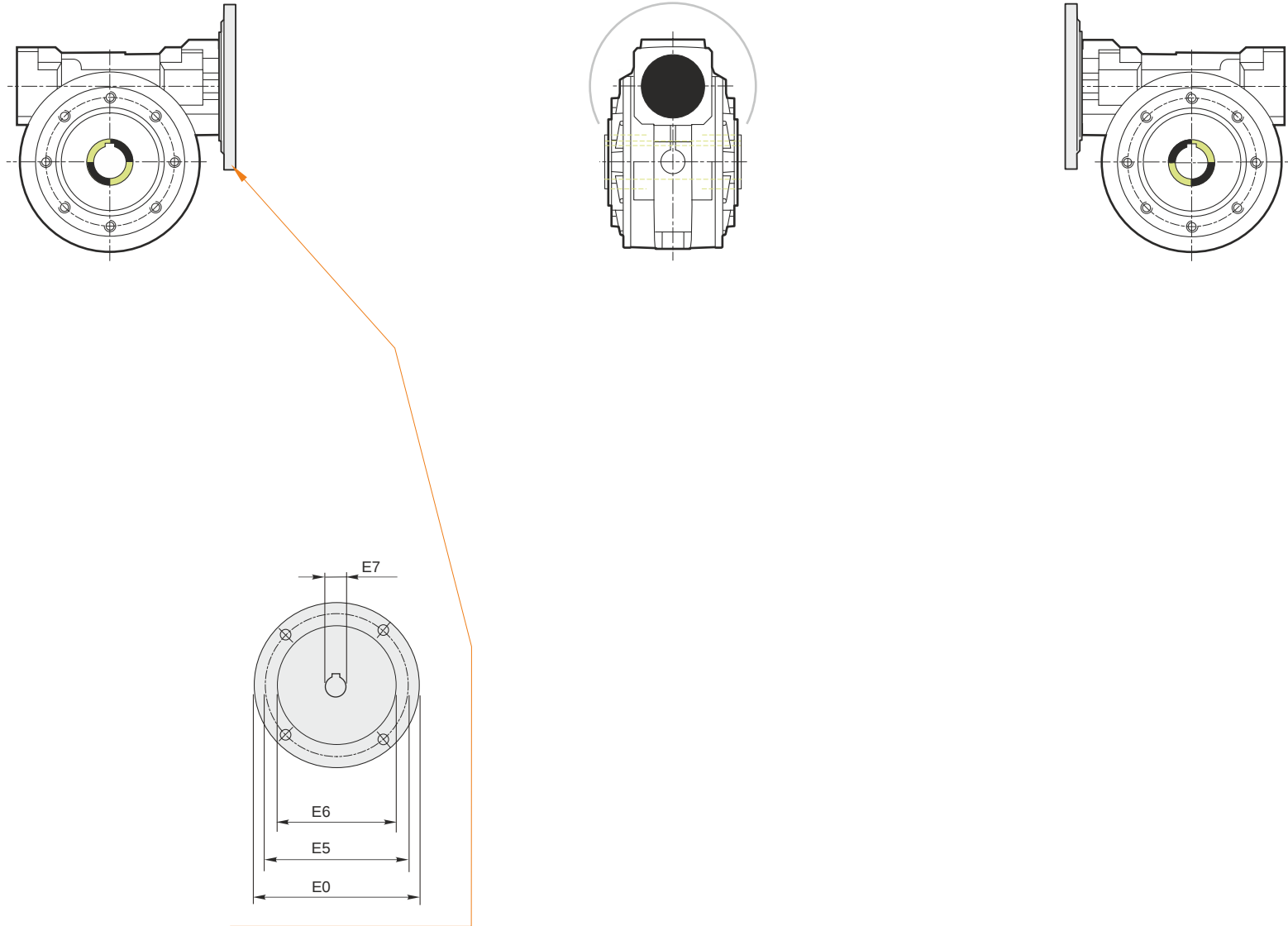


Hollow output shaft



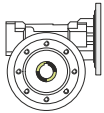
179.986
179.961

55.030
55.000



Mounting positions

B3



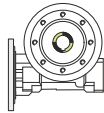
B6



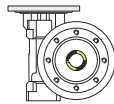
B7



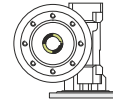
B8



V5



V6



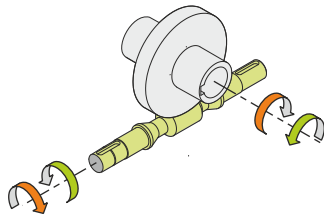
4.4



← Oil quantity [litres]

Lubricant type: Long life synthetic oil ISO VG320

Direction of rotation



Weight

Gear unit [kg] 80

Gearing data

Axial module	8.45
Number of starts	1
Lead angle	7° 35'
Pressure angle	20°

Backdriving

Static self-locking
Slow back-driving in case of vibrations
Low dynamic back-driving