

Input data

System of measurement		Metric
Input type		Coupling for electric motor
Input speed	[rpm]	1400
Output speed	[rpm]	20
Ratio (i=)		70
Frequency	[Hz]	50
Input options		IEC
Requested input power	[kW]	3
Service factor		1.3
Rated Power P1	[kW]	3.79

Output data

Gear unit F RS 150 PC 70 100 B14 AC 55 B3

Type		RS - Worm speed reducers
Input type		F (Elastic coupling)
Size		150
Ratio (i=)		70
Input flange		B14
Mounting position		B3
Input speed	[rpm]	1400
Output speed	[rpm]	20
Rated output torque	[Nm]	974.1
Service Factor		1.3
Efficiency		0.68
Inertia moment	[kgm ²]	0.005819

Gear unit configuration

Output shaft		Hollow output shaft
Fixing		Shaft mounting
Version		PC

Output radial and axial loads

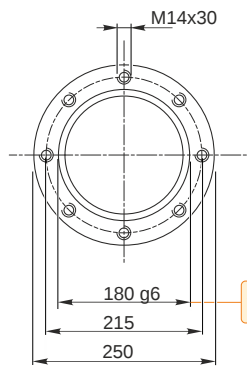
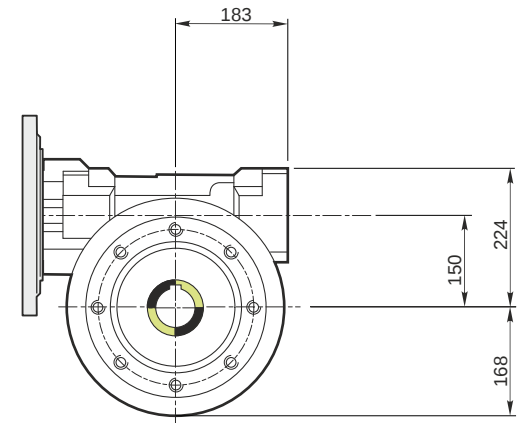
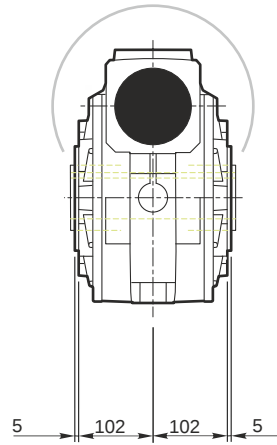
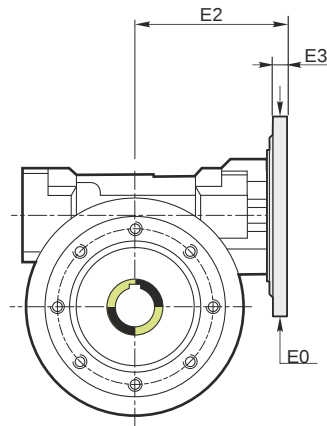
Ball bearings output radial load	[N]	13000
Taper bearings output radial load	[N]	19500
Ball bearings output axial load	[N]	2600
Taper bearings output axial load	[N]	3900

Accessories

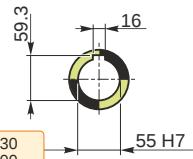
Hollow output shaft		AC 55
---------------------	--	-------

Electric motor coupling

Size		100 B4
Poles n.		4
Power	[kW]	3

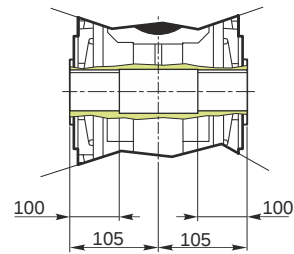


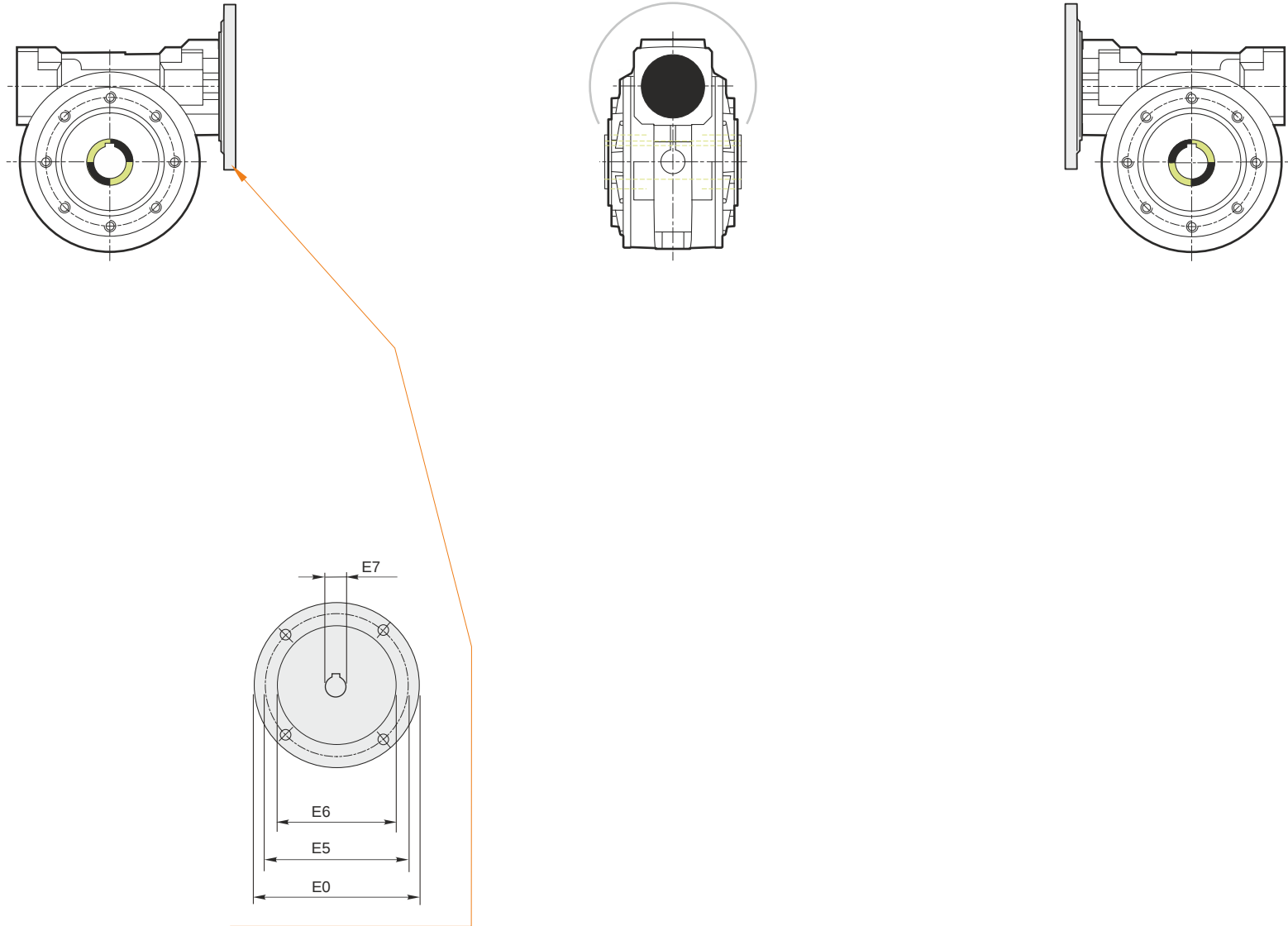
Hollow output shaft



179.986
179.961

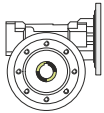
55.030
55.000





Mounting positions

B3



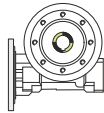
B6



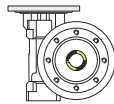
B7



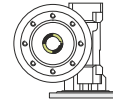
B8



V5



V6



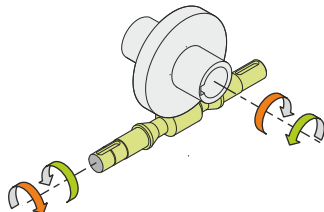
4.4



← Oil quantity [litres]

Lubricant type: Long life synthetic oil ISO VG320

Direction of rotation



Weight

Gear unit [kg] 80

Gearing data

Axial module	3.60
Number of starts	1
Lead angle	4° 17'
Pressure angle	20°

Backdriving

Static self-locking
Slow back-driving in case of vibrations
Low dynamic back-driving