

Input data

System of measurement		Metric
Input type		Gear motor
Input speed	[rpm]	1400
Output speed	[rpm]	70
Ratio (i=)		20
Frequency	[Hz]	50
Input options		IEC
Requested input power	[kW]	0.13
Service factor		1.2
Rated Power P1	[kW]	0.16

Output data

Gear unit **M RS 28 PC 20 63 B14 AC 14 MT 0.13 kW 63 A4 B14 X3 B3**

Type		RS - Worm speed reducers
Input type		M
Size		28
Ratio (i=)		20
Input flange		B14
Mounting position		B3
Input speed	[rpm]	1400
Output speed	[rpm]	70
Rated output torque	[Nm]	13.12
Service Factor		1.2
Efficiency		0.74
Inertia moment	[kgm ²]	0.000005

Gear unit configuration

Output shaft		Hollow output shaft
Fixing		Shaft mounting
Version		PC

Output radial and axial loads

Ball bearings output radial load	[N]	600
Taper bearings output radial load	[N]	900
Ball bearings output axial load	[N]	120
Taper bearings output axial load	[N]	180

Accessories

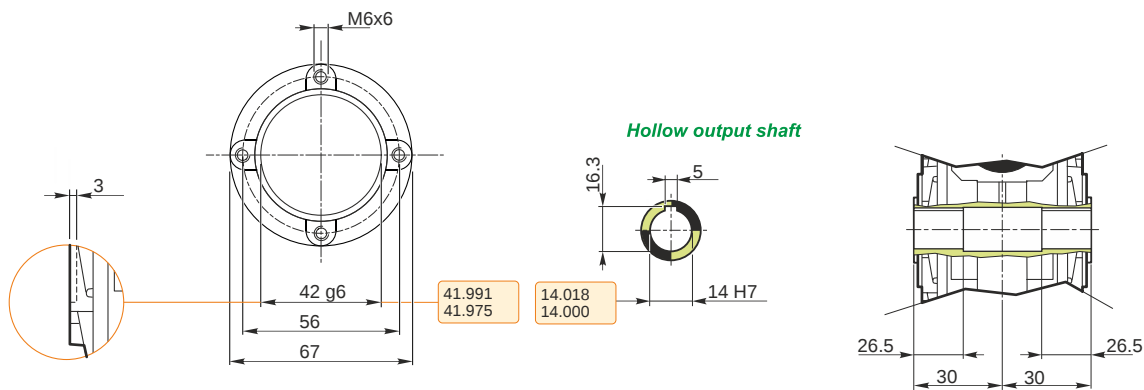
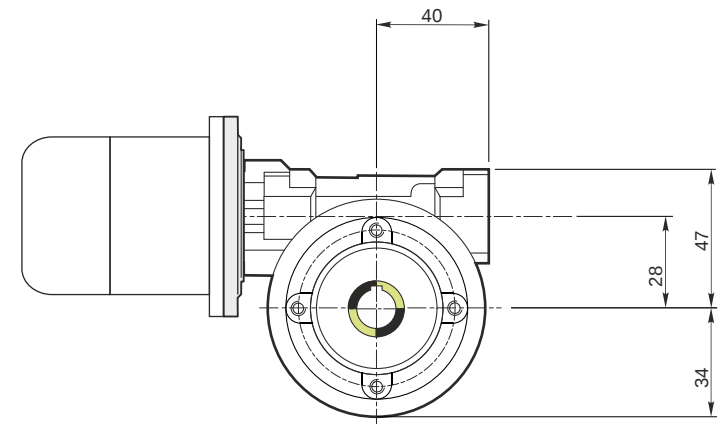
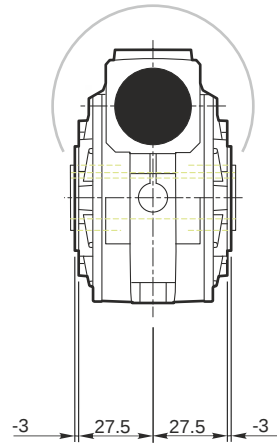
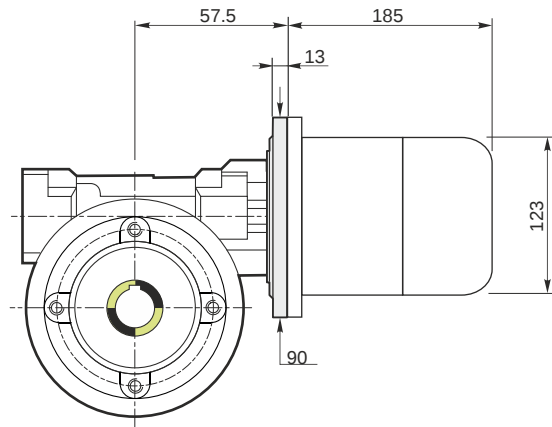
Hollow output shaft		AC 14
---------------------	--	-------

Electric motor

Size		63 A4
Poles		4
Power	[kW]	0.13

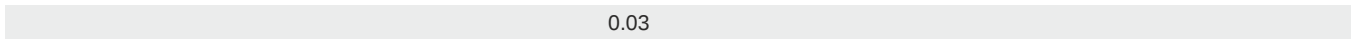
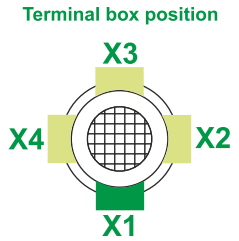
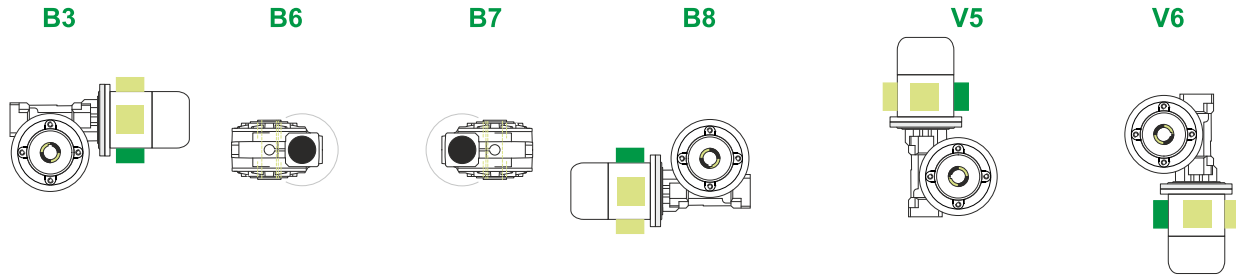
Electric motor configuration

Motor flange		B14
Terminal box position		X3



M RS 28 PC 20 63 B14 AC 14 MT 0.13 kW 63 A4 B14 X3 B3

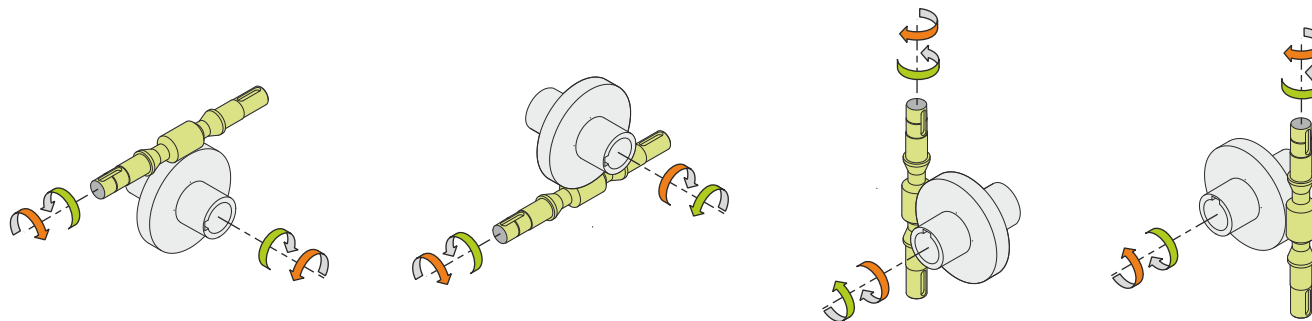
Mounting positions



← Oil quantity [litres]

Lubricant type: Long life synthetic oil ISO VG320

Direction of rotation



Weight

Gear unit [kg]	1.1
Electric motor [kg]	4.3

Gearing data

Axial module	1.1
Number of starts	2
Lead angle	10° 23'
Pressure angle	20°

Backdriving

Variable static self-locking
Quick back-driving in case of vibrations
Dynamic back-driving

M RS 28 PC 20 63 B14 AC 14 MT 0.13 kW 63 A4 B14 X3 B3