

Input data

System of measurement		Metric
Input type		Gear motor
Input speed	[rpm]	1400
Output speed	[rpm]	50
Ratio (i=)		28
Frequency	[Hz]	50
Input options		IEC
Requested input power	[kW]	0.13
Service factor		1.2
Rated Power P1	[kW]	0.16

Output data

Gear unit M RS 28 PC 28 63 B14 AC 14 MT 0.13 kW 63 A4 B14 X3 B3

Type		RS - Worm speed reducers
Input type		M
Size		28
Ratio (i=)		28
Input flange		B14
Mounting position		B3
Input speed	[rpm]	1400
Output speed	[rpm]	50
Rated output torque	[Nm]	16.39
Service Factor		1.2
Efficiency		0.66
Inertia moment	[kgm ²]	0.000005

Gear unit configuration

Output shaft		Hollow output shaft
Fixing		Shaft mounting
Version		PC

Output radial and axial loads

Ball bearings output radial load	[N]	620
Taper bearings output radial load	[N]	930
Ball bearings output axial load	[N]	124
Taper bearings output axial load	[N]	186

Accessories

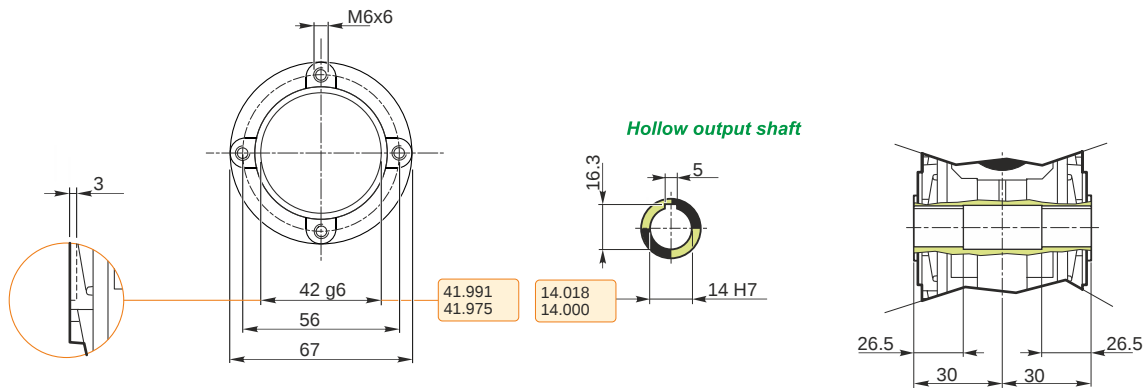
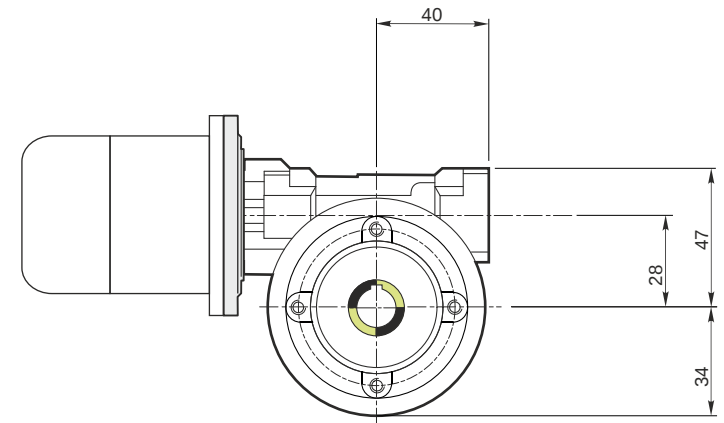
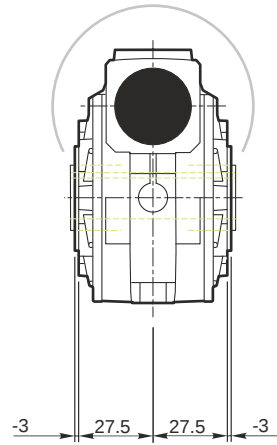
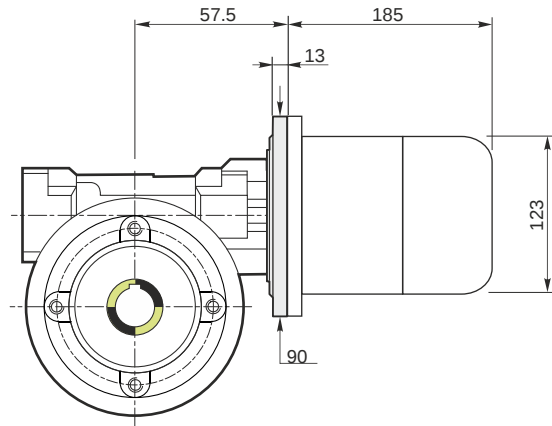
Hollow output shaft		AC 14
---------------------	--	-------

Electric motor

Size		63 A4
Poles		4
Power	[kW]	0.13

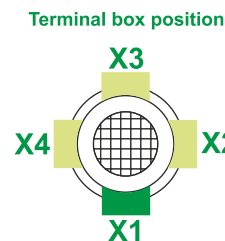
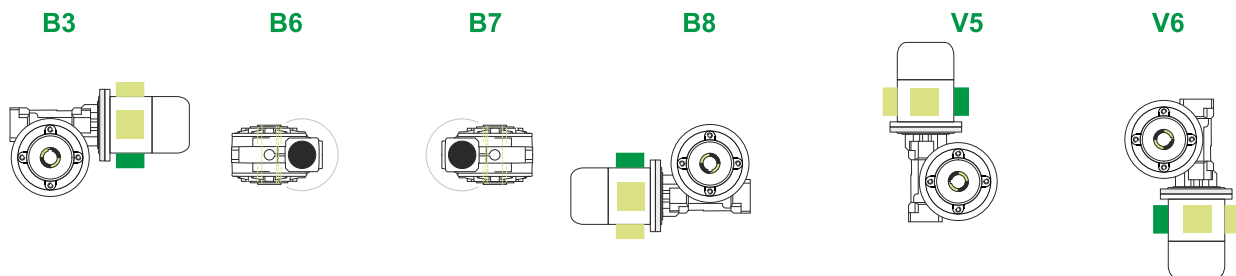
Electric motor configuration

Motor flange		B14
Terminal box position		X3



M RS 28 PC 28 63 B14 AC 14 MT 0.13 kW 63 A4 B14 X3 B3

Mounting positions



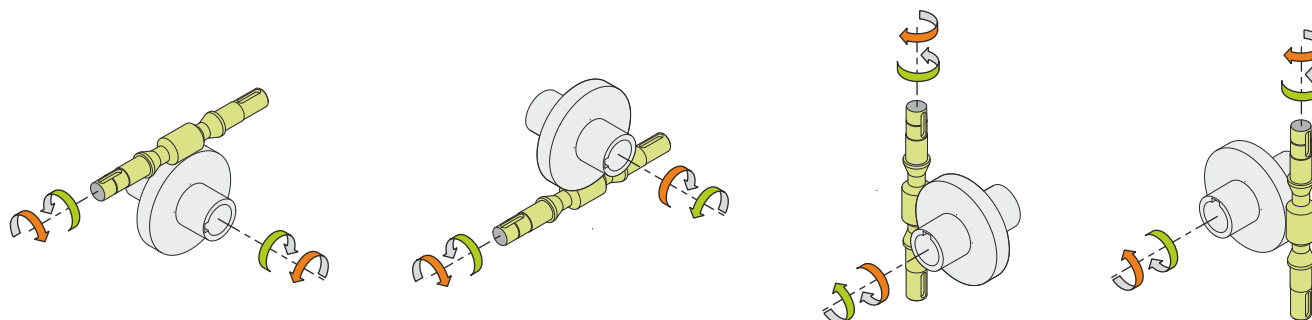
0.03



← Oil quantity [litres]

Lubricant type: Long life synthetic oil ISO VG320

Direction of rotation



Weight

Gear unit [kg]	1.1
Electric motor [kg]	4.3

Gearing data

Axial module	1.5
Number of starts	1
Lead angle	6° 06'
Pressure angle	20°

Backdriving

Static self-locking
Slow back-driving in case of vibrations
Low dynamic back-driving