

Input data

System of measurement		Metric
Input type		Gear motor
Input speed	[rpm]	1400
Output speed	[rpm]	140
Ratio (i=)		10
Frequency	[Hz]	50
Input options		IEC
Requested input power	[kW]	0.37
Service factor		2.2
Rated Power P1	[kW]	0.81

Output data

Gear unit **M RS 40 PC 10 71 B14 AC 19 MT 0.37 kW 71 B4 B14 X3 B3**

Type		RS - Worm speed reducers
Input type		M
Size		40
Ratio (i=)		10
Input flange		B14
Mounting position		B3
Input speed	[rpm]	1400
Output speed	[rpm]	140
Rated output torque	[Nm]	20.95
Service Factor		2.2
Efficiency		0.83
Inertia moment	[kgm ²]	0.00002

Gear unit configuration

Output shaft		Hollow output shaft
Fixing		Shaft mounting
Version		PC

Output radial and axial loads

Ball bearings output radial load	[N]	1100
Taper bearings output radial load	[N]	1550
Ball bearings output axial load	[N]	220
Taper bearings output axial load	[N]	310

Accessories

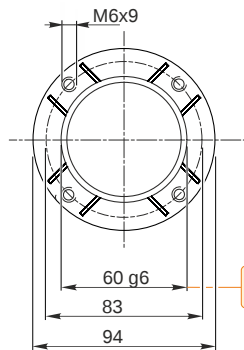
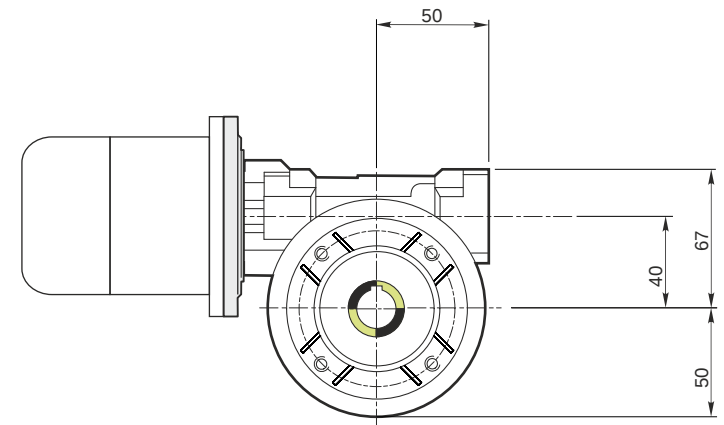
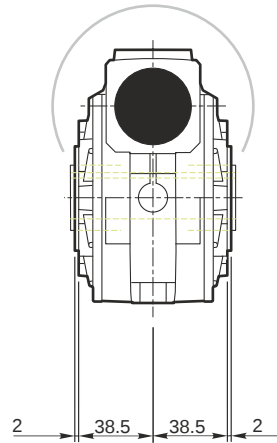
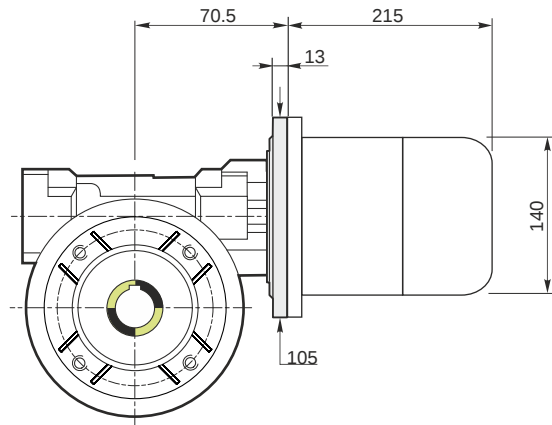
Hollow output shaft		AC 19
---------------------	--	-------

Electric motor

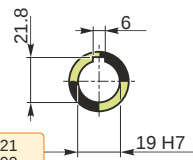
Size		71 B4
Poles		4
Power	[kW]	0.37

Electric motor configuration

Motor flange		B14
Terminal box position		X3

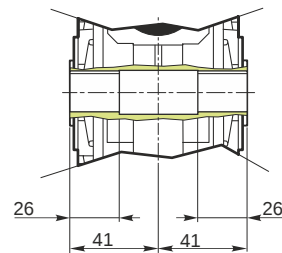


Hollow output shaft

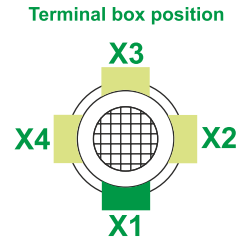
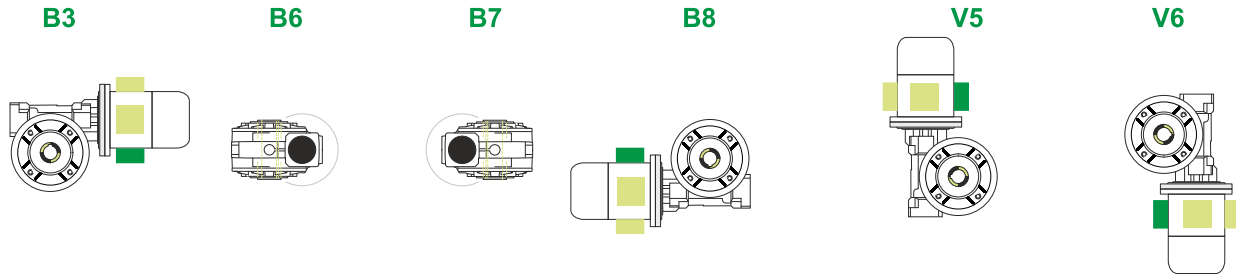


59.99
59.971

19.021
19.000



Mounting positions



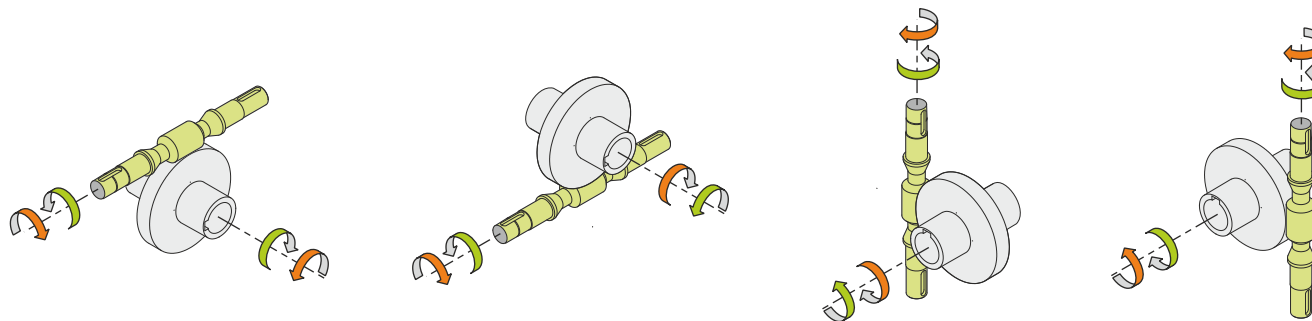
0.08



← Oil quantity [litres]

Lubricant type: Long life synthetic oil ISO VG320

Direction of rotation



Weight

Gear unit [kg]	2.5
Electric motor [kg]	6.2

Gearing data

Axial module	2
Number of starts	3
Lead angle	16° 41'
Pressure angle	20°

Backdriving

- Static back-driving
- Quick back-driving
- Dynamic back-driving

M RS 40 PC 10 71 B14 AC 19 MT 0.37 kW 71 B4 B14 X3 B3