

Input data

System of measurement		Metric
Input type		Gear motor
Input speed	[rpm]	1400
Output speed	[rpm]	50
Ratio (i=)		28
Frequency	[Hz]	50
Input options		IEC
Requested input power	[kW]	0.25
Service factor		1.5
Rated Power P1	[kW]	0.37

Output data

Gear unit **M RS 40 PC 28 71 B14 AC 19 MT 0.25 kW 71 A4 B14 X3 B3**

Type		RS - Worm speed reducers
Input type		M
Size		40
Ratio (i=)		28
Input flange		B14
Mounting position		B3
Input speed	[rpm]	1400
Output speed	[rpm]	50
Rated output torque	[Nm]	32.47
Service Factor		1.5
Efficiency		0.68
Inertia moment	[kgm ²]	0.000018

Gear unit configuration

Output shaft		Hollow output shaft
Fixing		Shaft mounting
Version		PC

Output radial and axial loads

Ball bearings output radial load	[N]	1500
Taper bearings output radial load	[N]	2100
Ball bearings output axial load	[N]	300
Taper bearings output axial load	[N]	420

Accessories

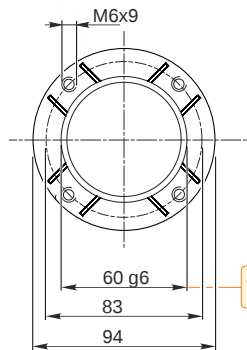
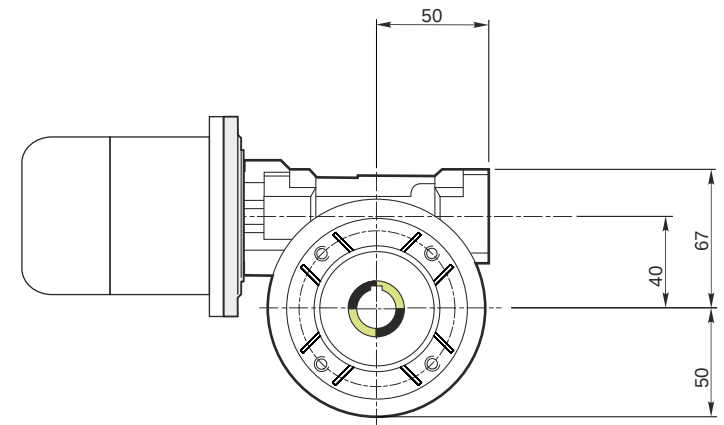
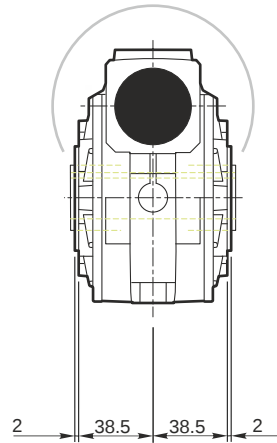
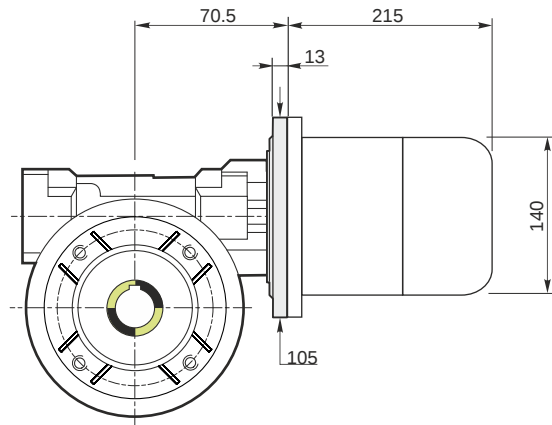
Hollow output shaft		AC 19
---------------------	--	-------

Electric motor

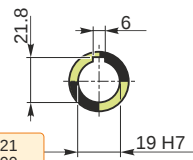
Size		71 A4
Poles		4
Power	[kW]	0.25

Electric motor configuration

Motor flange		B14
Terminal box position		X3

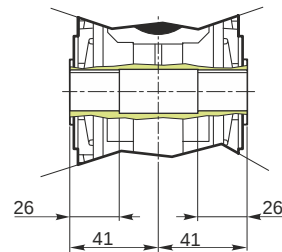


Hollow output shaft

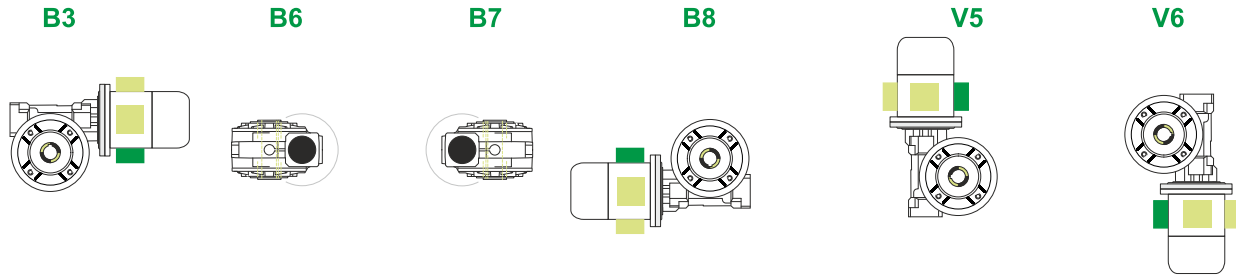


59.99
59.971

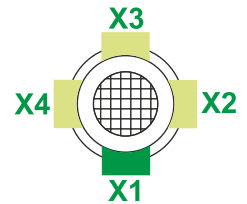
19.021
19.000



Mounting positions



Terminal box position



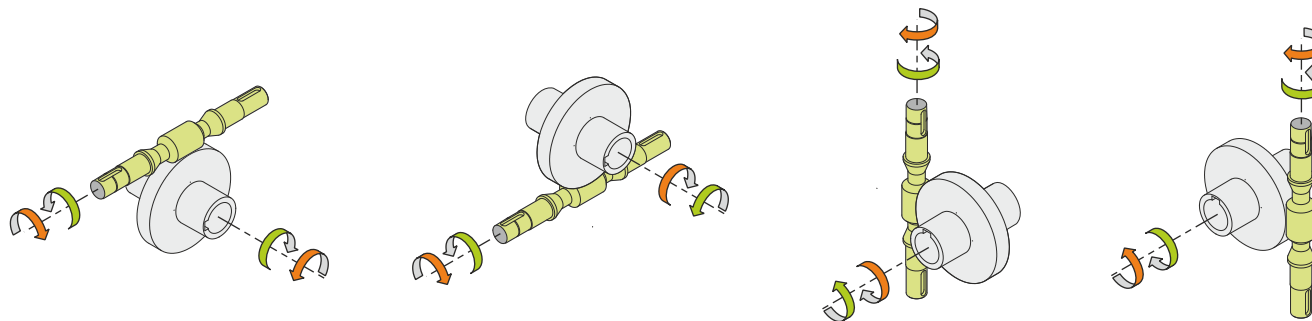
0.08



← Oil quantity [litres]

Lubricant type: Long life synthetic oil ISO VG320

Direction of rotation



Weight

Gear unit [kg]	2.5
Electric motor [kg]	6.2

Gearing data

Axial module	2.1
Number of starts	1
Lead angle	5° 39'
Pressure angle	20°

Backdriving

Static self-locking
Slow back-driving in case of vibrations
Low dynamic back-driving

M RS 40 PC 28 71 B14 AC 19 MT 0.25 kW 71 A4 B14 X3 B3