

Input data

System of measurement		Metric
Input type		Gear motor
Input speed	[rpm]	1400
Output speed	[rpm]	25
Ratio (i=)		56
Frequency	[Hz]	50
Input options		IEC
Requested input power	[kW]	0.37
Service factor		0.8
Rated Power P1	[kW]	0.31

Output data

Gear unit **M RS 50 PC 56 71 B14 AC 24 MT 0.37 kW 71 B4 B14 X3 B3**

Type		RS - Worm speed reducers
Input type		M
Size		50
Ratio (i=)		56
Input flange		B14
Mounting position		B3
Input speed	[rpm]	1400
Output speed	[rpm]	25
Rated output torque	[Nm]	84.8
Service Factor		0.8
Efficiency		0.6
Inertia moment	[kgm ²]	0.000047

Gear unit configuration

Output shaft		Hollow output shaft
Fixing		Shaft mounting
Version		PC

Output radial and axial loads

Ball bearings output radial load	[N]	2600
Taper bearings output radial load	[N]	3900
Ball bearings output axial load	[N]	520
Taper bearings output axial load	[N]	780

Accessories

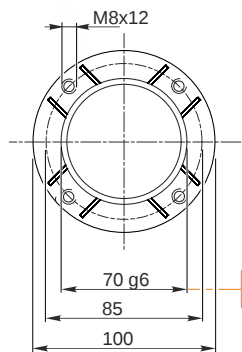
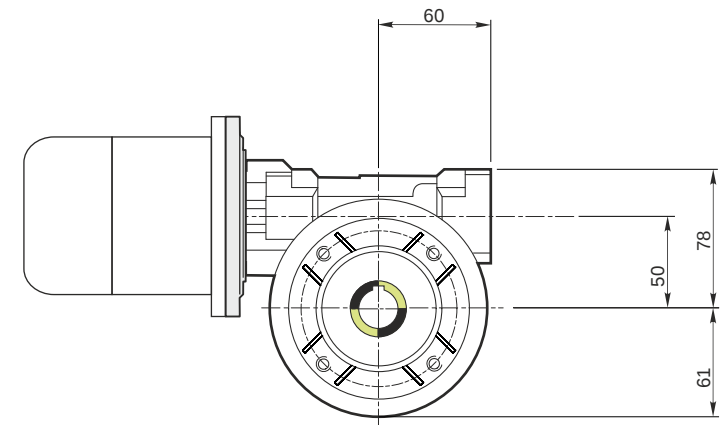
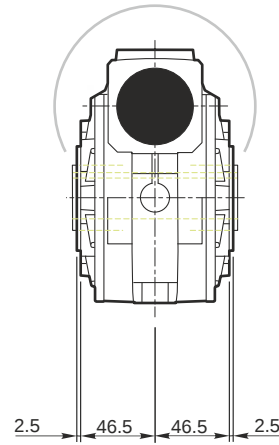
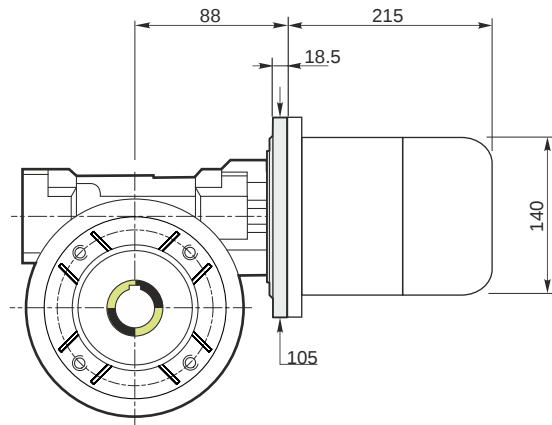
Hollow output shaft		AC 24
---------------------	--	-------

Electric motor

Size		71 B4
Poles		4
Power	[kW]	0.37

Electric motor configuration

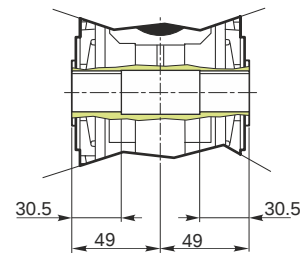
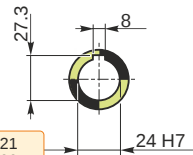
Motor flange		B14
Terminal box position		X3



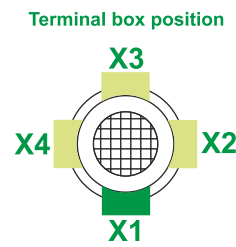
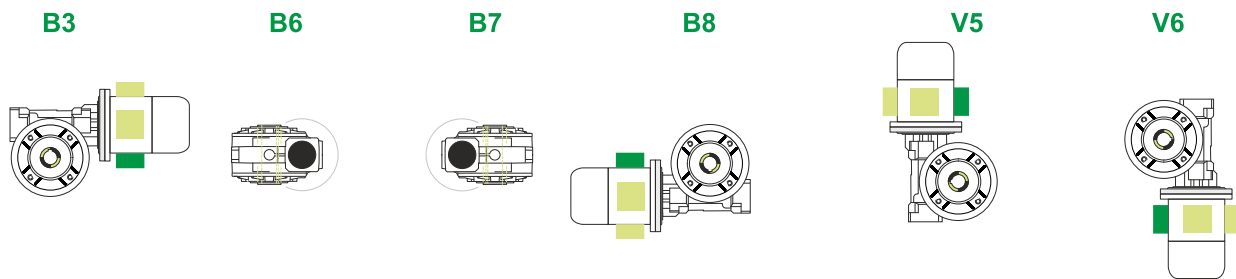
69.99
69.971

24.021
24.000

Hollow output shaft



Mounting positions

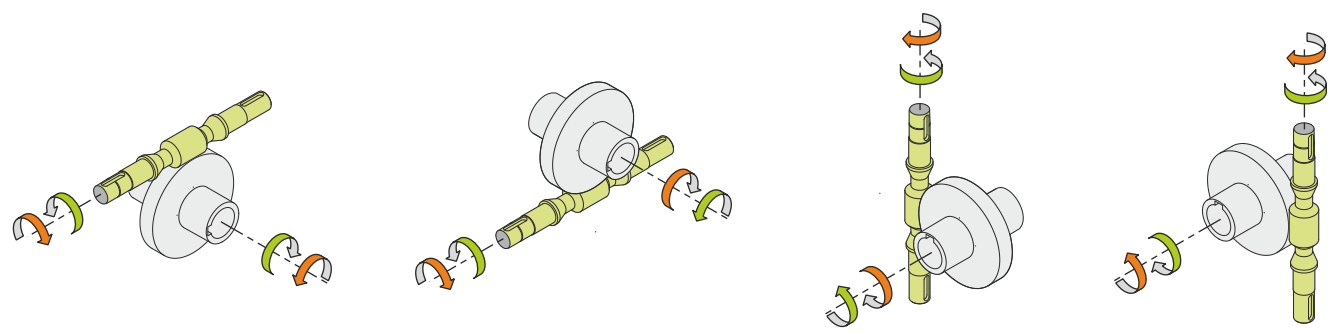


0.13



Lubricant type: Long life synthetic oil ISO VG320

Direction of rotation



Weight

Gear unit [kg]	3.8
Electric motor [kg]	6.2

Gearing data

Axial module	1.4
Number of starts	1
Lead angle	3° 42'
Pressure angle	20°

Backdriving

Static self-locking
Slow back-driving in case of vibrations
Low dynamic back-driving

M RS 50 PC 56 71 B14 AC 24 MT 0.37 kW 71 B4 B14 X3 B3