

Input data

System of measurement		Metric
Input type		Gear motor
Input speed	[rpm]	1400
Output speed	[rpm]	20
Ratio (i=)		70
Frequency	[Hz]	50
Input options		IEC
Requested input power	[kW]	0.25
Service factor		1
Rated Power P1	[kW]	0.25

Output data

Gear unit **M RS 50 PC 70 71 B14 AC 24 MT 0.25 kW 71 A4 B14 X3 B3**

Type		RS - Worm speed reducers
Input type		M
Size		50
Ratio (i=)		70
Input flange		B14
Mounting position		B3
Input speed	[rpm]	1400
Output speed	[rpm]	20
Rated output torque	[Nm]	63.27
Service Factor		1
Efficiency		0.53
Inertia moment	[kgm ²]	0.000047

Gear unit configuration

Output shaft		Hollow output shaft
Fixing		Shaft mounting
Version		PC

Output radial and axial loads

Ball bearings output radial load	[N]	2800
Taper bearings output radial load	[N]	4200
Ball bearings output axial load	[N]	560
Taper bearings output axial load	[N]	840

Accessories

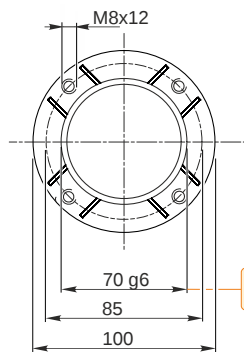
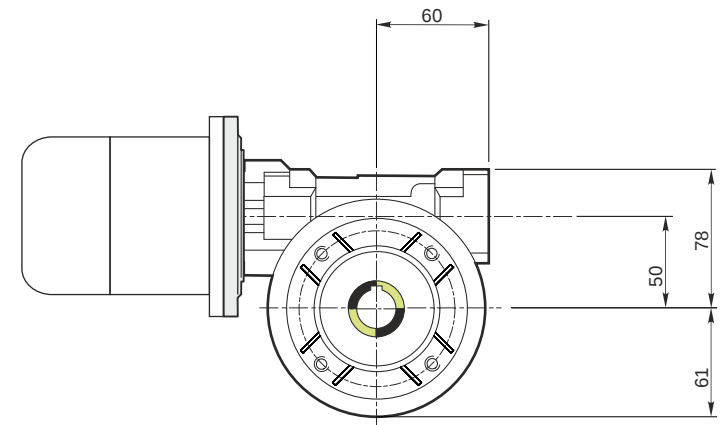
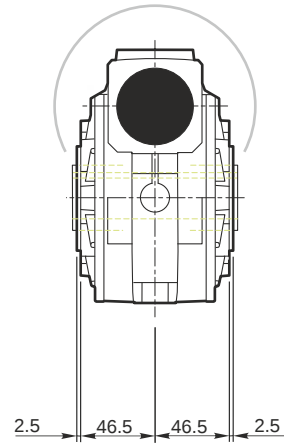
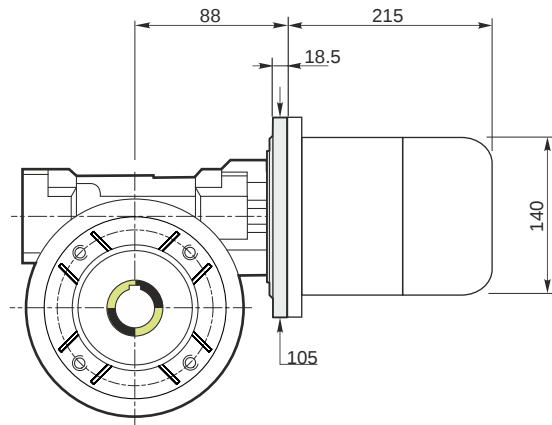
Hollow output shaft		AC 24
---------------------	--	-------

Electric motor

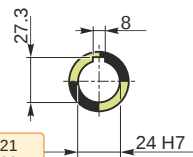
Size		71 A4
Poles		4
Power	[kW]	0.25

Electric motor configuration

Motor flange		B14
Terminal box position		X3

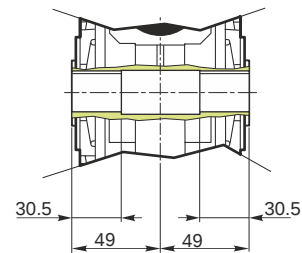


Hollow output shaft

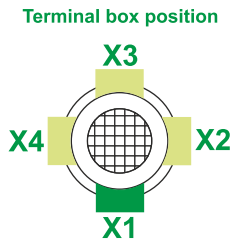
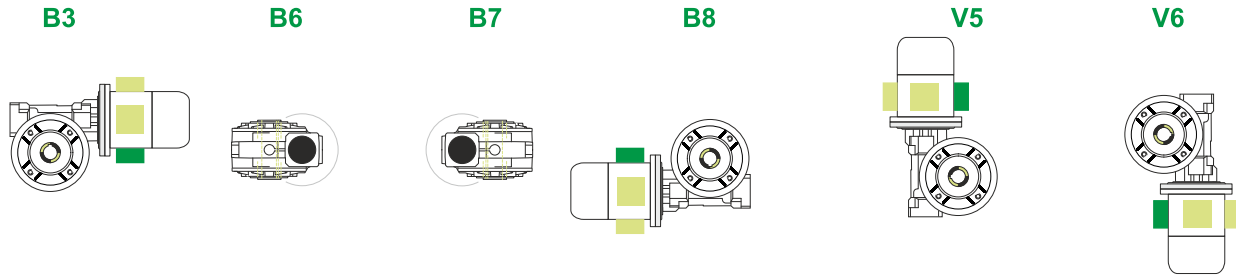


69.99
69.971

24.021
24.000



Mounting positions



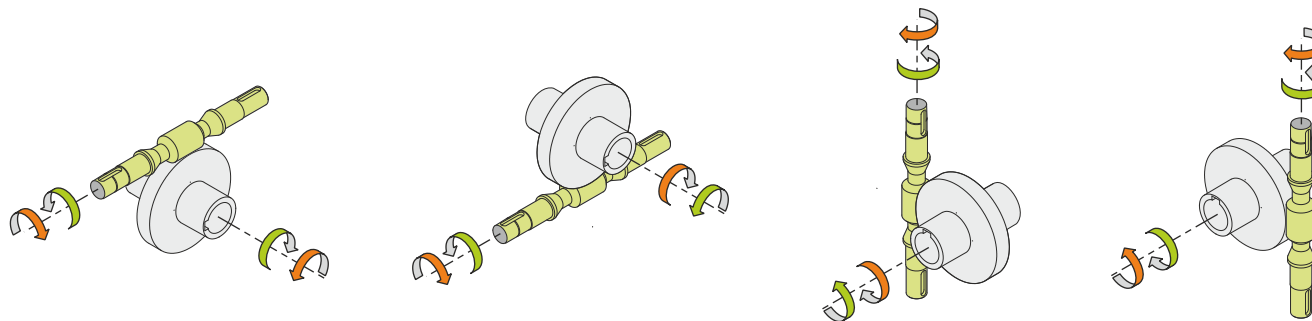
0.13



← Oil quantity [litres]

Lubricant type: Long life synthetic oil ISO VG320

Direction of rotation



Weight

Gear unit [kg]	3.8
Electric motor [kg]	6.2

Gearing data

Axial module	1.1
Number of starts	1
Lead angle	2° 44'
Pressure angle	20°

Backdriving

- Static self-locking
- No back-driving
- Low dynamic back-driving

M RS 50 PC 70 71 B14 AC 24 MT 0.25 kW 71 A4 B14 X3 B3