

Input data

System of measurement		Metric
Input type		Gear motor
Input speed	[rpm]	1400
Output speed	[rpm]	17.5
Ratio (i=)		80
Frequency	[Hz]	50
Input options		IEC
Requested input power	[kW]	0.18
Service factor		1.1
Rated Power P1	[kW]	0.2

Output data

Gear unit M RS 50 PC 80 63 B14 AC 24 MT 0.18 kW 63 B4 B14 X3 B3

Type		RS - Worm speed reducers
Input type		M
Size		50
Ratio (i=)		80
Input flange		B14
Mounting position		B3
Input speed	[rpm]	1400
Output speed	[rpm]	17.5
Rated output torque	[Nm]	51.08
Service Factor		1.1
Efficiency		0.52
Inertia moment	[kgm ²]	0.000047

Gear unit configuration

Output shaft		Hollow output shaft
Fixing		Shaft mounting
Version		PC

Output radial and axial loads

Ball bearings output radial load	[N]	2900
Taper bearings output radial load	[N]	4200
Ball bearings output axial load	[N]	580
Taper bearings output axial load	[N]	840

Accessories

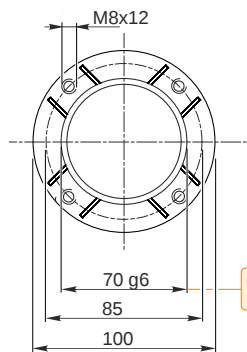
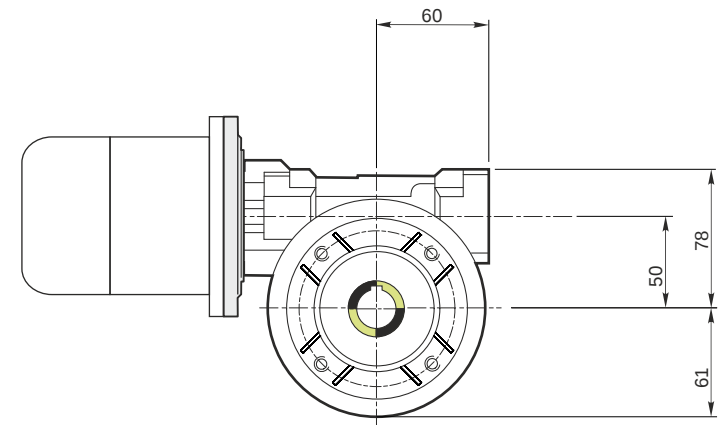
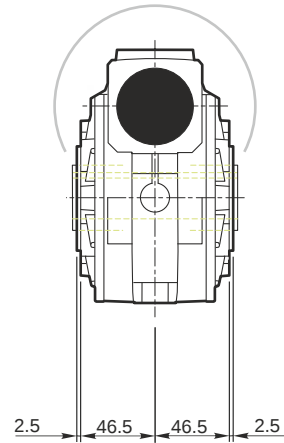
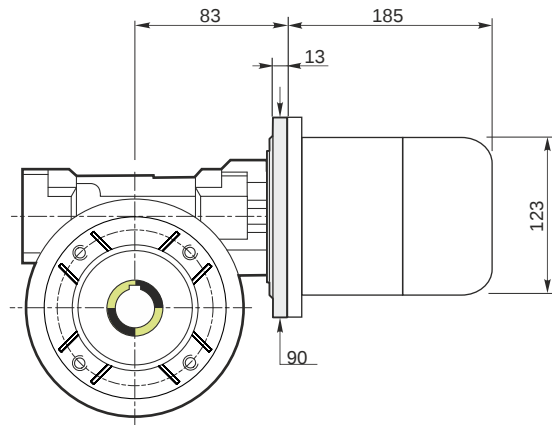
Hollow output shaft		AC 24
---------------------	--	-------

Electric motor

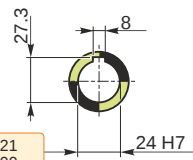
Size		63 B4
Poles		4
Power	[kW]	0.18

Electric motor configuration

Motor flange		B14
Terminal box position		X3

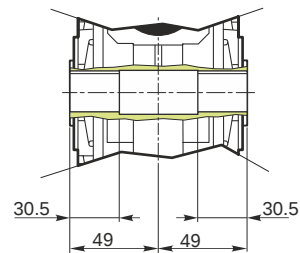


Hollow output shaft

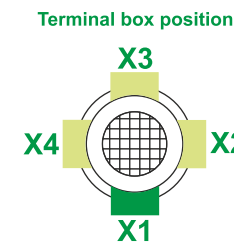
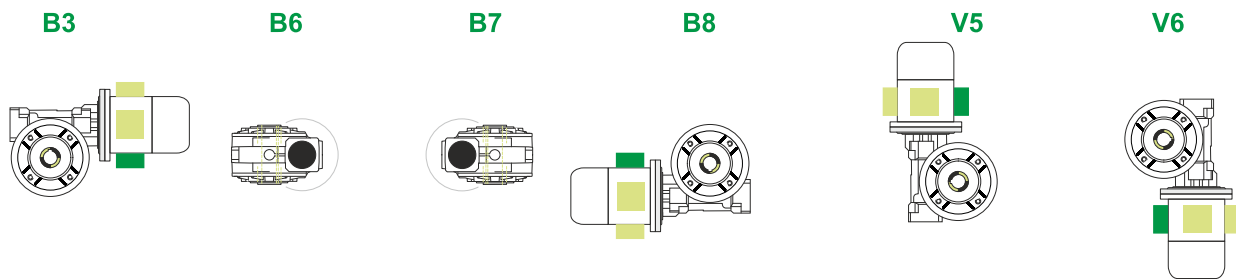


69.99
69.971

24.021
24.000



Mounting positions



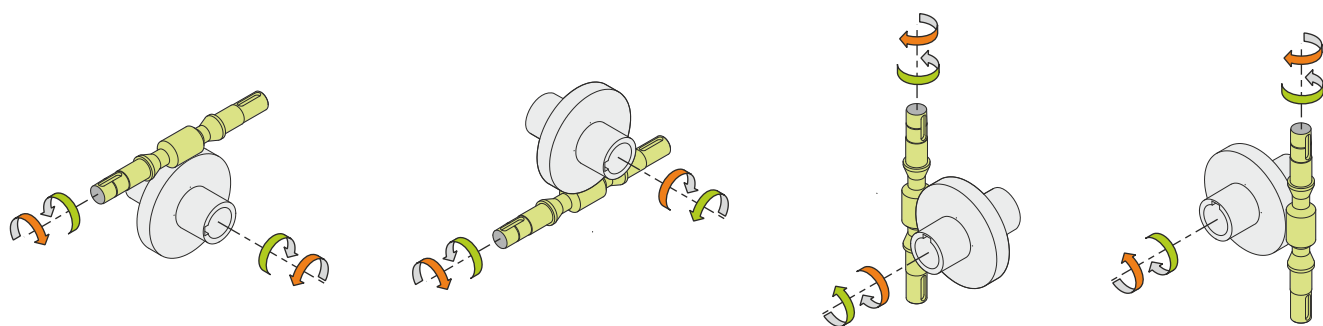
0.13



← Oil quantity [litres]

Lubricant type: Long life synthetic oil ISO VG320

Direction of rotation



Weight

Gear unit [kg]	3.8
Electric motor [kg]	4.3

Gearing data

Axial module	1
Number of starts	1
Lead angle	2° 51'
Pressure angle	20°

Backdriving

Static self-locking
No back-driving
Low dynamic back-driving

M RS 50 PC 80 63 B14 AC 24 MT 0.18 kW 63 B4 B14 X3 B3