

Input data

System of measurement		Metric
Input type		Gear motor
Input speed	[rpm]	1400
Output speed	[rpm]	140
Ratio (i=)		10
Frequency	[Hz]	50
Input options		IEC
Requested input power	[kW]	1.5
Service factor		1.5
Rated Power P1	[kW]	2.32

Output data

Gear unit **M RS 60 PC 10 90 B14 AC 25 MT 1.5 kW 90 L4 B14 X3 B3**

Type		RS - Worm speed reducers
Input type		M
Size		60
Ratio (i=)		10
Input flange		B14
Mounting position		B3
Input speed	[rpm]	1400
Output speed	[rpm]	140
Rated output torque	[Nm]	85.95
Service Factor		1.5
Efficiency		0.84
Inertia moment	[kgm ²]	0.000119

Gear unit configuration

Output shaft		Hollow output shaft
Fixing		Shaft mounting
Version		PC

Output radial and axial loads

Ball bearings output radial load	[N]	2500
Taper bearings output radial load	[N]	3200
Ball bearings output axial load	[N]	500
Taper bearings output axial load	[N]	640

Accessories

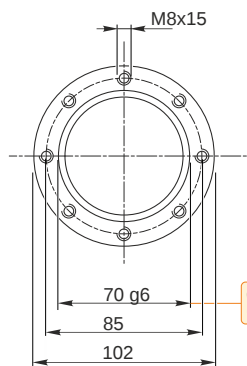
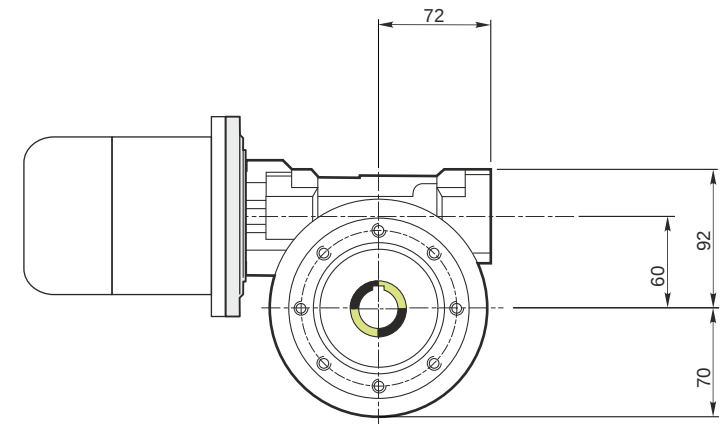
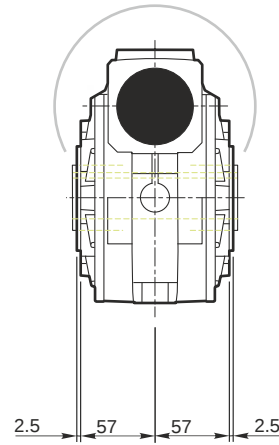
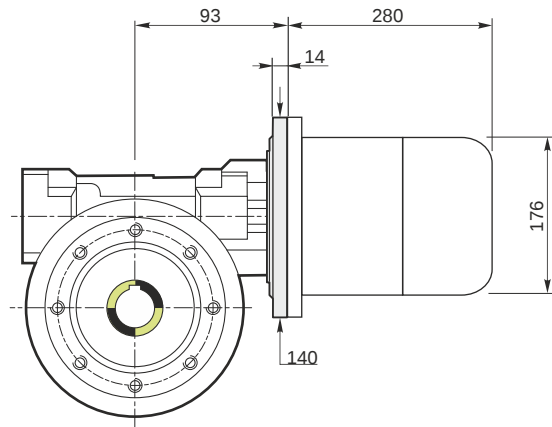
Hollow output shaft		AC 25
---------------------	--	-------

Electric motor

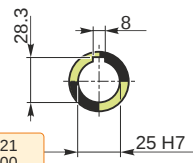
Size		90 L4
Poles		4
Power	[kW]	1.5

Electric motor configuration

Motor flange		B14
Terminal box position		X3

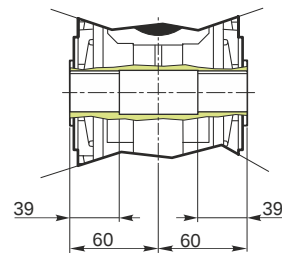


Hollow output shaft

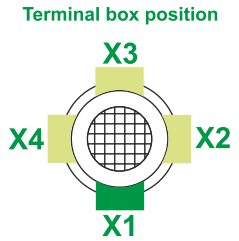
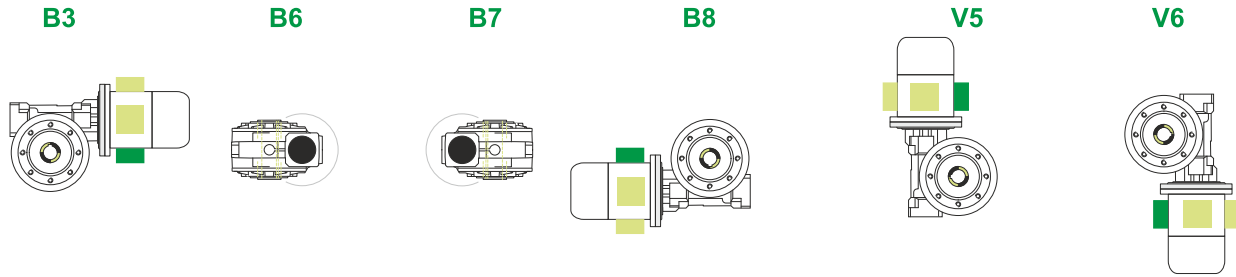


69.99
69.971

25.021
25.000



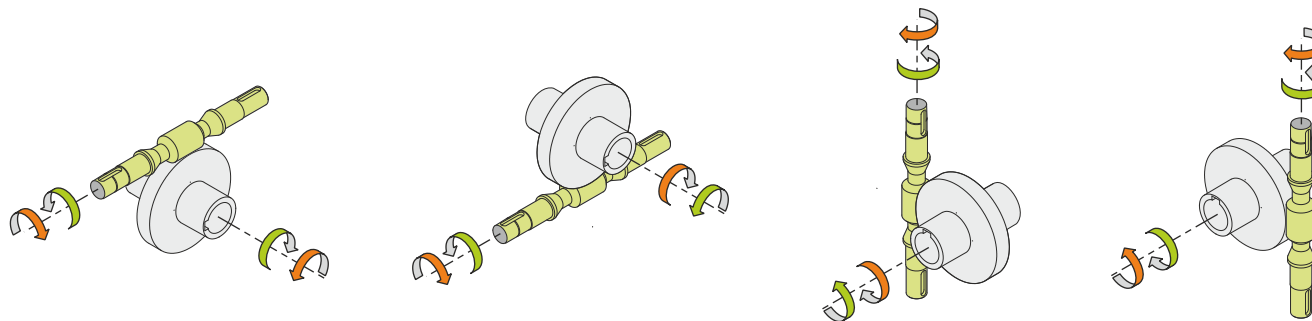
Mounting positions



← Oil quantity [litres]

Lubricant type: Long life synthetic oil ISO VG320

Direction of rotation



Weight

Gear unit [kg]	6.5
Electric motor [kg]	13.5

Gearing data

Axial module	3.1
Number of starts	3
Lead angle	19 °0'
Pressure angle	20°

Backdriving

- Static back-driving
- Quick back-driving
- Dynamic back-driving

M RS 60 PC 10 90 B14 AC 25 MT 1.5 kW 90 L4 B14 X3 B3