

Input data

System of measurement		Metric
Input type		Gear motor
Input speed	[rpm]	1400
Output speed	[rpm]	93.33
Ratio (i=)		15
Frequency	[Hz]	50
Input options		IEC
Requested input power	[kW]	1.1
Service factor		1.4
Rated Power P1	[kW]	1.57

Output data

Gear unit M RS 60 PC 15 90 B14 AC 25 MT 1.1 kW 90 S4 B14 X3 B3

Type		RS - Worm speed reducers
Input type		M
Size		60
Ratio (i=)		15
Input flange		B14
Mounting position		B3
Input speed	[rpm]	1400
Output speed	[rpm]	93.33
Rated output torque	[Nm]	91.17
Service Factor		1.4
Efficiency		0.81
Inertia moment	[kgm ²]	0.00011

Gear unit configuration

Output shaft		Hollow output shaft
Fixing		Shaft mounting
Version		PC

Output radial and axial loads

Ball bearings output radial load	[N]	2900
Taper bearings output radial load	[N]	3700
Ball bearings output axial load	[N]	580
Taper bearings output axial load	[N]	740

Accessories

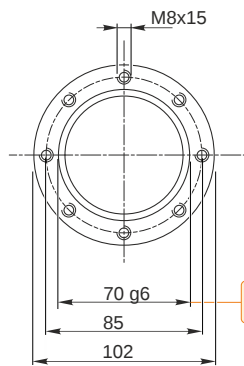
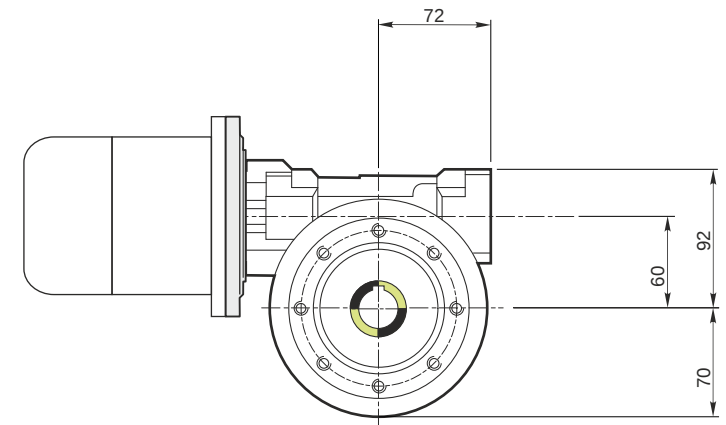
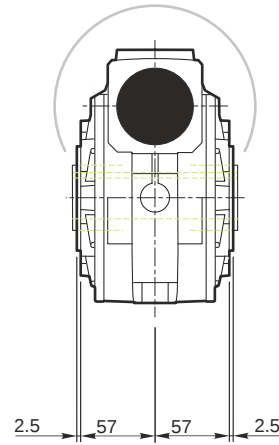
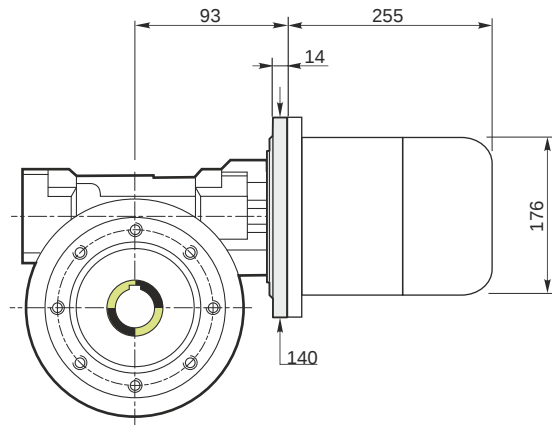
Hollow output shaft		AC 25
---------------------	--	-------

Electric motor

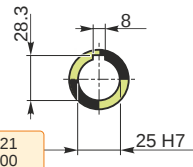
Size		90 S4
Poles		4
Power	[kW]	1.1

Electric motor configuration

Motor flange		B14
Terminal box position		X3

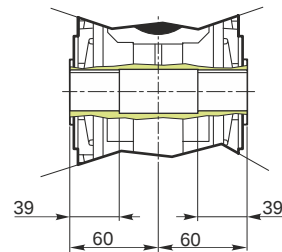


Hollow output shaft



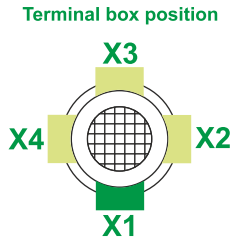
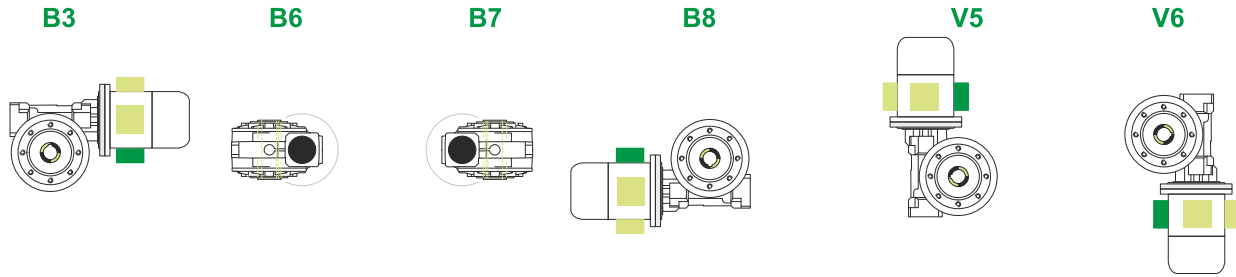
69.99
69.971

25.021
25.000



M RS 60 PC 15 90 B14 AC 25 MT 1.1 kW 90 S4 B14 X3 B3

Mounting positions



← Oil quantity [litres]

Lubricant type: Long life synthetic oil ISO VG320

Direction of rotation



Weight

Gear unit [kg]	6.5
Electric motor [kg]	12

Gearing data

Axial module	3.1
Number of starts	2
Lead angle	12° 55'
Pressure angle	20°

Backdriving

- Static back-driving
- Quick back-driving
- Dynamic back-driving

M RS 60 PC 15 90 B14 AC 25 MT 1.1 kW 90 S4 B14 X3 B3