

Input data

System of measurement		Metric
Input type		Gear motor
Input speed	[rpm]	1400
Output speed	[rpm]	35
Ratio (i=)		40
Frequency	[Hz]	50
Input options		IEC
Requested input power	[kW]	0.75
Service factor		1
Rated Power P1	[kW]	0.75

Output data

Gear unit **M RS 60 PC 40 80 B14 AC 25 MT 0.75 kW 80 B4 B14 X3 B3**

Type		RS - Worm speed reducers
Input type		M
Size		60
Ratio (i=)		40
Input flange		B14
Mounting position		B3
Input speed	[rpm]	1400
Output speed	[rpm]	35
Rated output torque	[Nm]	135.06
Service Factor		1
Efficiency		0.66
Inertia moment	[kgm ²]	0.000104

Gear unit configuration

Output shaft		Hollow output shaft
Fixing		Shaft mounting
Version		PC

Output radial and axial loads

Ball bearings output radial load	[N]	3900
Taper bearings output radial load	[N]	5100
Ball bearings output axial load	[N]	780
Taper bearings output axial load	[N]	1020

Accessories

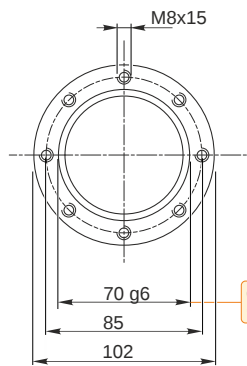
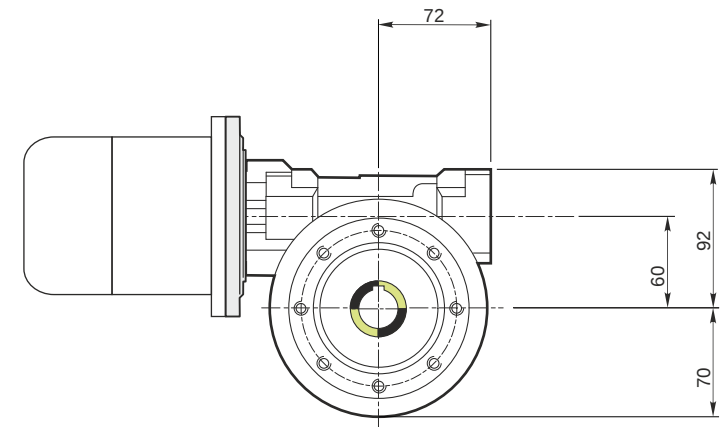
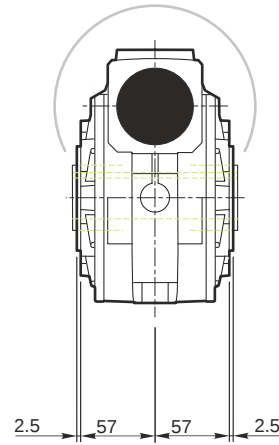
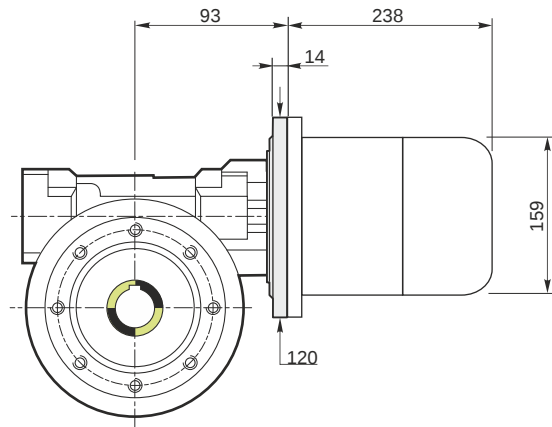
Hollow output shaft		AC 25
---------------------	--	-------

Electric motor

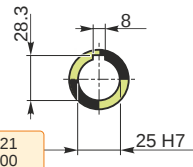
Size		80 B4
Poles		4
Power	[kW]	0.75

Electric motor configuration

Motor flange		B14
Terminal box position		X3

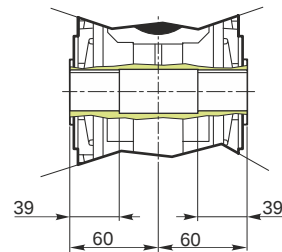


Hollow output shaft



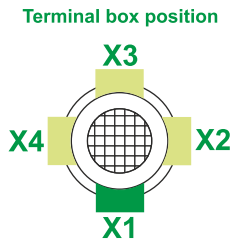
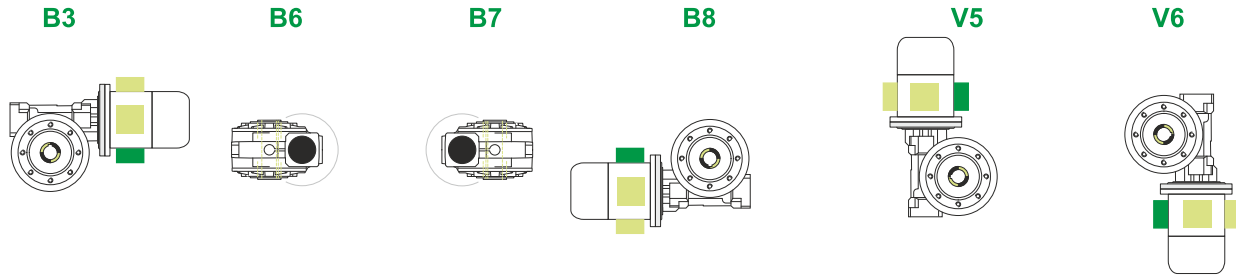
69.99
69.971

25.021
25.000



M RS 60 PC 40 80 B14 AC 25 MT 0.75 kW 80 B4 B14 X3 B3

Mounting positions



0.23



← Oil quantity [litres]

Lubricant type: Long life synthetic oil ISO VG320

Direction of rotation



Weight

Gear unit [kg]	6.5
Electric motor [kg]	9.8

Gearing data

Axial module	2.4
Number of starts	1
Lead angle	5° 42'
Pressure angle	20°

Backdriving

Static self-locking
Slow back-driving in case of vibrations
Low dynamic back-driving