

### Input data

System of measurement		Metric
Input type		Gear motor
Input speed	[rpm]	1400
Output speed	[rpm]	28.57
Ratio (i=)		49
Frequency	[Hz]	50
Input options		IEC
Requested input power	[kW]	0.55
Service factor		1.1
Rated Power P1	[kW]	0.62

### Output data

**Gear unit** **M RS 60 PC 49 80 B14 AC 25 MT 0.55 kW 80 A4 B14 X3 B3**

Type		RS - Worm speed reducers
Input type		M
Size		60
Ratio (i=)		49
Input flange		B14
Mounting position		B3
Input speed	[rpm]	1400
Output speed	[rpm]	28.57
Rated output torque	[Nm]	113.98
Service Factor		1.1
Efficiency		0.62
Inertia moment	[kgm <sup>2</sup> ]	0.000104

#### Gear unit configuration

Output shaft		Hollow output shaft
Fixing		Shaft mounting
Version		PC

#### Output radial and axial loads

Ball bearings output radial load	[N]	4300
Taper bearings output radial load	[N]	5700
Ball bearings output axial load	[N]	860
Taper bearings output axial load	[N]	1140

#### Accessories

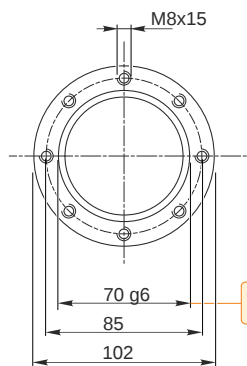
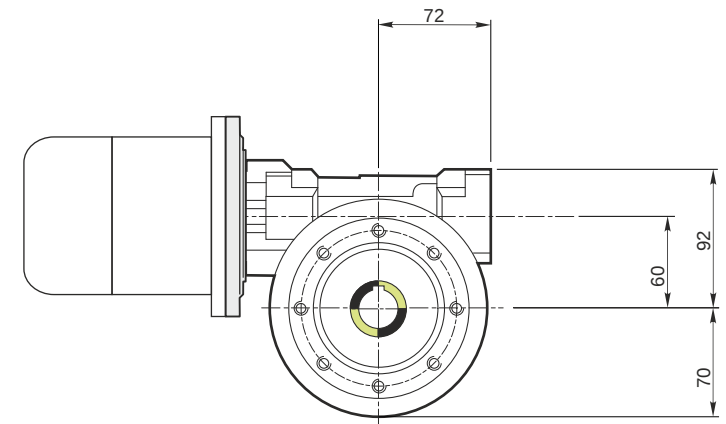
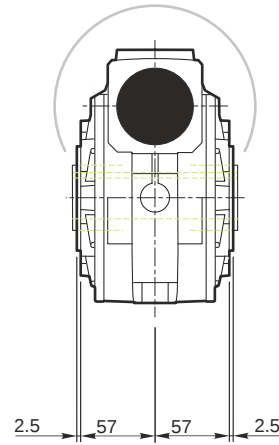
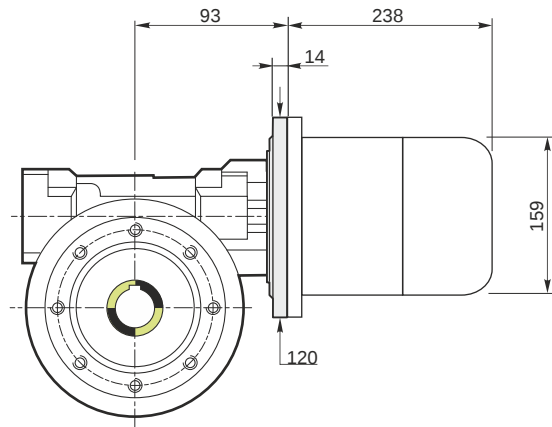
Hollow output shaft		AC 25
---------------------	--	-------

#### Electric motor

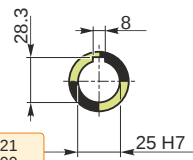
Size		80 A4
Poles		4
Power	[kW]	0.55

#### Electric motor configuration

Motor flange		B14
Terminal box position		X3

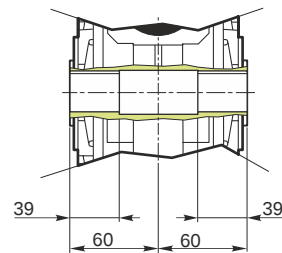


Hollow output shaft



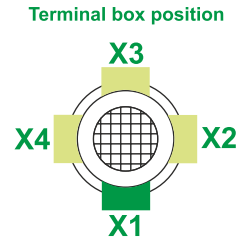
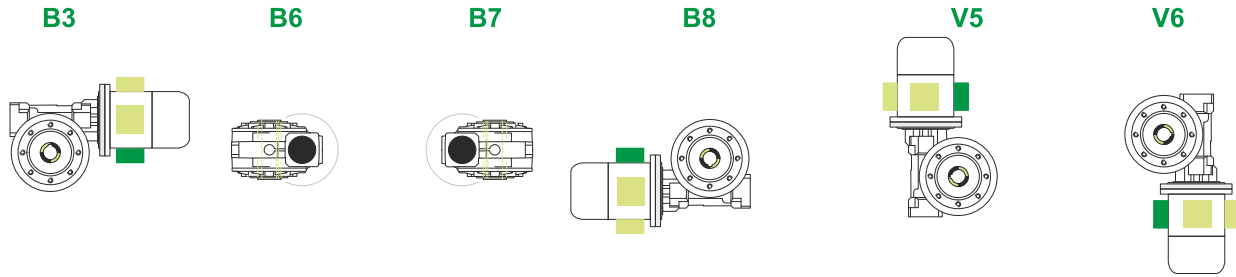
69.99  
69.971

25.021  
25.000



**M RS 60 PC 49 80 B14 AC 25 MT 0.55 kW 80 A4 B14 X3 B3**

**Mounting positions**



0.23



← Oil quantity [litres]

Lubricant type: Long life synthetic oil ISO VG320

**Direction of rotation**



**Weight**

Gear unit [kg]	6.5
Electric motor [kg]	9.8

**Gearing data**

Axial module	2
Number of starts	1
Lead angle	5° 11'
Pressure angle	20°

**Backdriving**

Static self-locking  
Slow back-driving in case of vibrations  
Low dynamic back-driving

**M RS 60 PC 49 80 B14 AC 25 MT 0.55 kW 80 A4 B14 X3 B3**