

Input data

System of measurement		Metric
Input type		Gear motor
Input speed	[rpm]	1400
Output speed	[rpm]	70
Ratio (i=)		20
Frequency	[Hz]	50
Input options		IEC
Requested input power	[kW]	1.5
Service factor		1.2
Rated Power P1	[kW]	1.76

Output data

Gear unit M RS 70 PC 20 90 B14 AC 28 MT 1.5 kW 90 L4 B14 X3 B3

Type		RS - Worm speed reducers
Input type		M
Size		70
Ratio (i=)		20
Input flange		B14
Mounting position		B3
Input speed	[rpm]	1400
Output speed	[rpm]	70
Rated output torque	[Nm]	165.76
Service Factor		1.2
Efficiency		0.81
Inertia moment	[kgm ²]	0.000251

Gear unit configuration

Output shaft		Hollow output shaft
Fixing		Shaft mounting
Version		PC

Output radial and axial loads

Ball bearings output radial load	[N]	3900
Taper bearings output radial load	[N]	5160
Ball bearings output axial load	[N]	780
Taper bearings output axial load	[N]	1032

Accessories

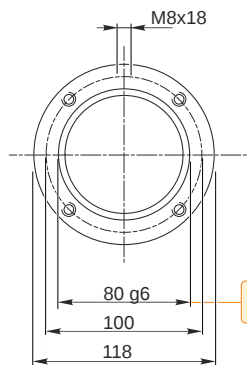
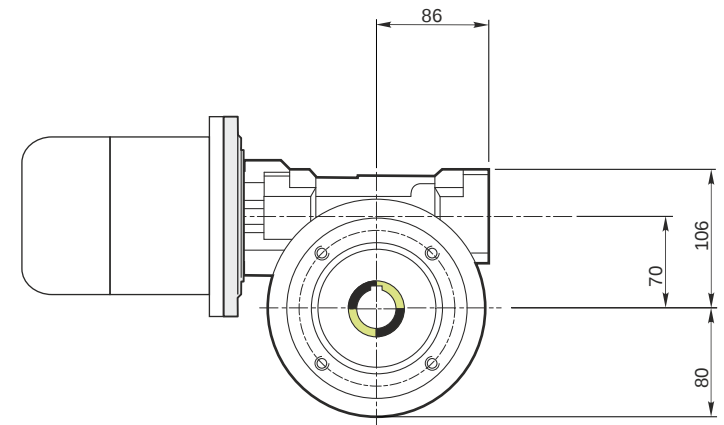
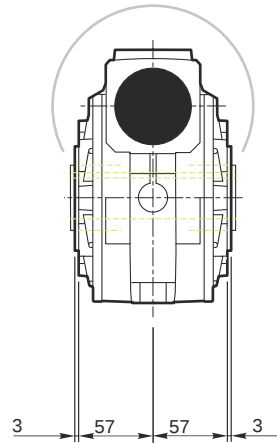
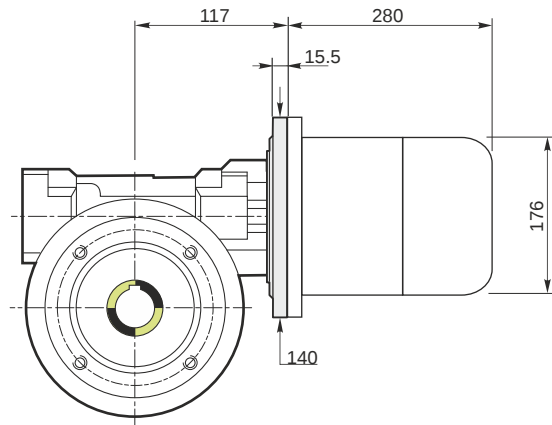
Hollow output shaft		AC 28
---------------------	--	-------

Electric motor

Size		90 L4
Poles		4
Power	[kW]	1.5

Electric motor configuration

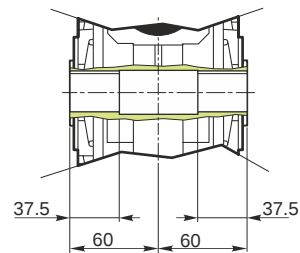
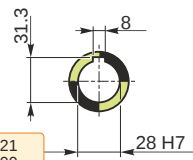
Motor flange		B14
Terminal box position		X3



79.99
79.971

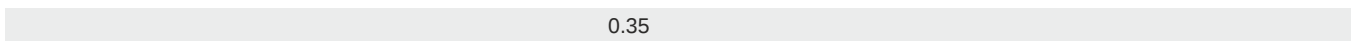
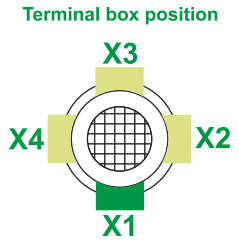
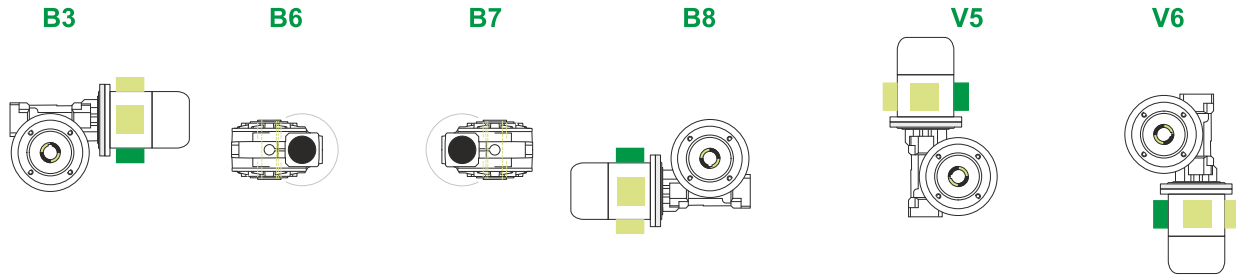
28.021
28.000

Hollow output shaft



M RS 70 PC 20 90 B14 AC 28 MT 1.5 kW 90 L4 B14 X3 B3

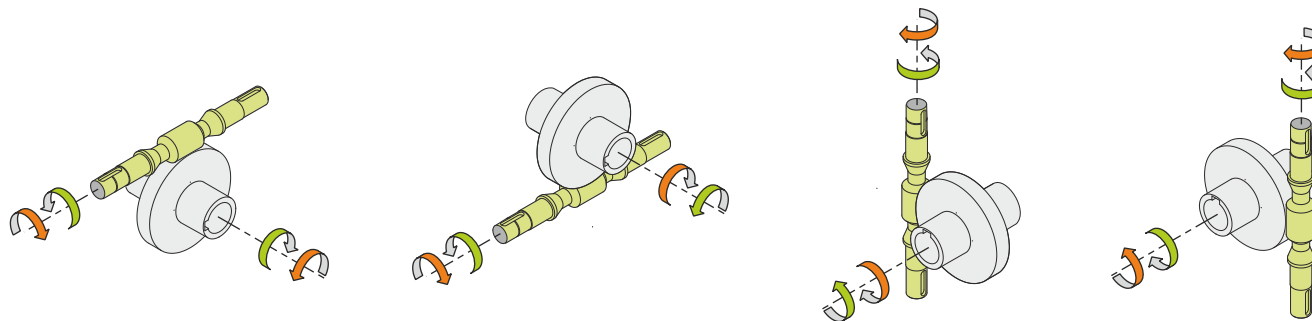
Mounting positions



← Oil quantity [litres]

Lubricant type: Long life synthetic oil ISO VG320

Direction of rotation



Weight

Gear unit [kg]	9
Electric motor [kg]	13.5

Gearing data

Axial module	2.8
Number of starts	2
Lead angle	11° 18'
Pressure angle	20°

Backdriving

Variable static self-locking
Quick back-driving in case of vibrations
Dynamic back-driving