

Input data

System of measurement		Metric
Input type		Gear motor
Input speed	[rpm]	1400
Output speed	[rpm]	17.5
Ratio (i=)		80
Frequency	[Hz]	50
Input options		IEC
Requested input power	[kW]	0.37
Service factor		1.4
Rated Power P1	[kW]	0.5

Output data

Gear unit **M RS 70 PC 80 71 B14 AC 28 MT 0.37 kW 71 B4 B14 X3 B3**

Type		RS - Worm speed reducers
Input type		M
Size		70
Ratio (i=)		80
Input flange		B14
Mounting position		B3
Input speed	[rpm]	1400
Output speed	[rpm]	17.5
Rated output torque	[Nm]	113.07
Service Factor		1.4
Efficiency		0.56
Inertia moment	[kgm ²]	0.000244

Gear unit configuration

Output shaft		Hollow output shaft
Fixing		Shaft mounting
Version		PC

Output radial and axial loads

Ball bearings output radial load	[N]	6300
Taper bearings output radial load	[N]	7900
Ball bearings output axial load	[N]	1260
Taper bearings output axial load	[N]	1580

Accessories

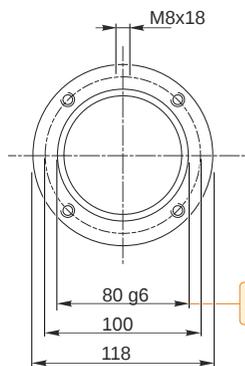
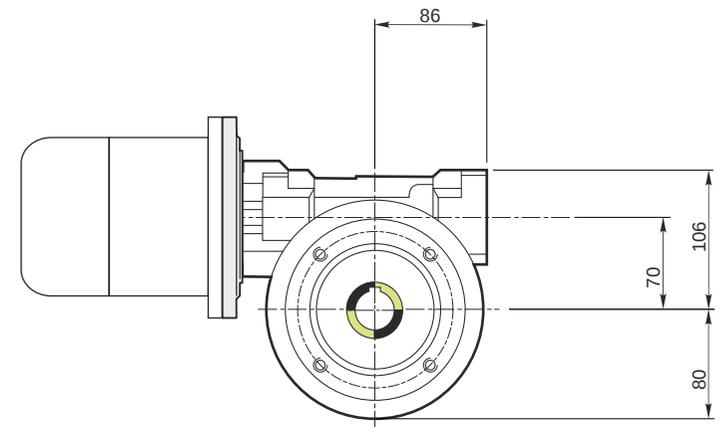
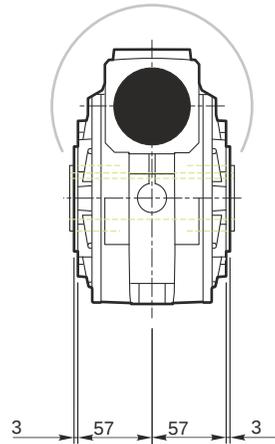
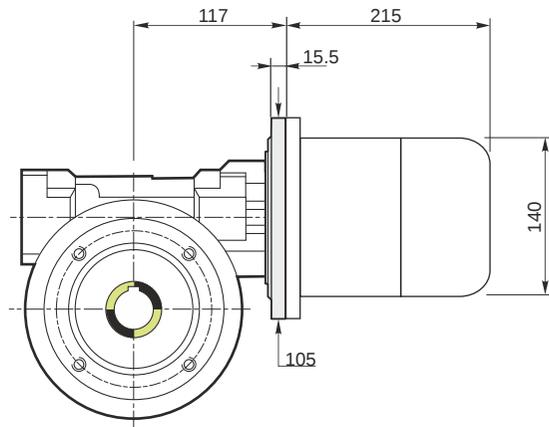
Hollow output shaft		AC 28
---------------------	--	-------

Electric motor

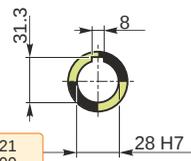
Size		71 B4
Poles		4
Power	[kW]	0.37

Electric motor configuration

Motor flange		B14
Terminal box position		X3

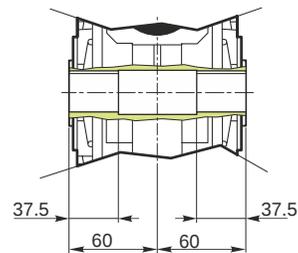


Hollow output shaft

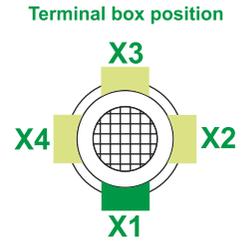
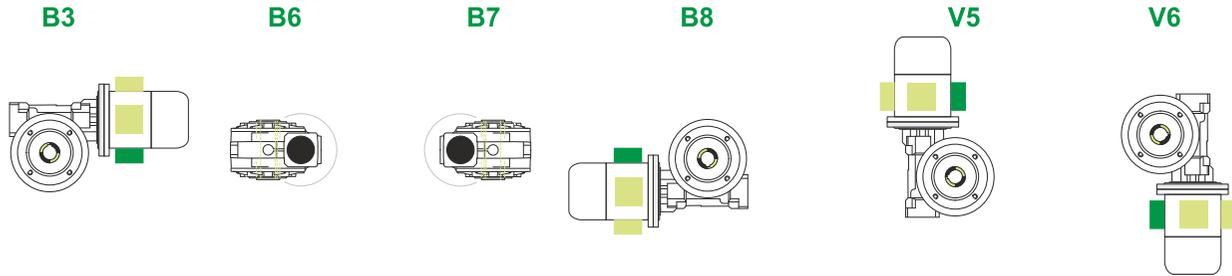


79.99
79.971

28.021
28.000



Mounting positions



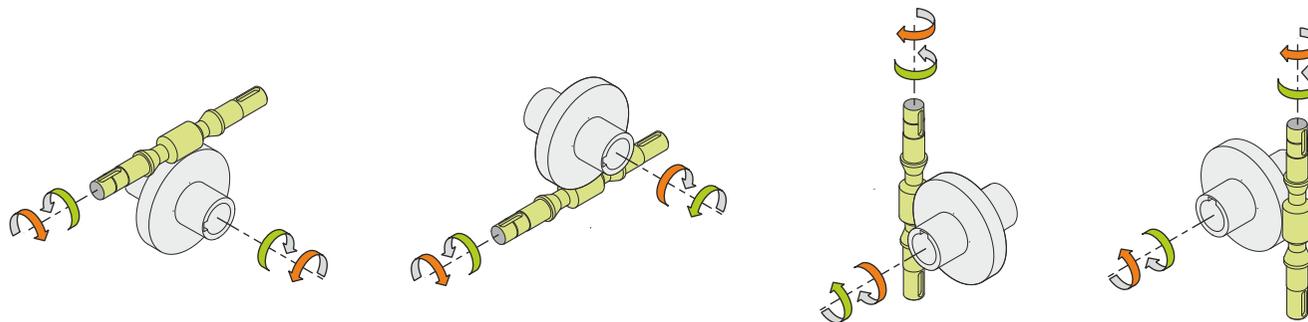
0.35



← Oil quantity [litres]

Lubricant type: Long life synthetic oil ISO VG320

Direction of rotation



Weight

Gear unit [kg]	9
Electric motor [kg]	6.2

Gearing data

Axial module	1.4
Number of starts	1
Lead angle	2° 51'
Pressure angle	20°

Backdriving

- Static self-locking
- No back-driving
- Low dynamic back-driving

M RS 70 PC 80 71 B14 AC 28 MT 0.37 kW 71 B4 B14 X3 B3