

Input data

System of measurement		Metric
Input type		Gear motor
Input speed	[rpm]	1400
Output speed	[rpm]	140
Ratio (i=)		10
Frequency	[Hz]	50
Input options		IEC
Requested input power	[kW]	4
Service factor		1.1
Rated Power P1	[kW]	4.57

Output data

Gear unit **M RS 85 PC 10 112 B14 AC 32 MT 4 kW 112 A4 B14 X3 B3**

Type		RS - Worm speed reducers
Input type		M
Size		85
Ratio (i=)		10
Input flange		B14
Mounting position		B3
Input speed	[rpm]	1400
Output speed	[rpm]	140
Rated output torque	[Nm]	234.66
Service Factor		1.1
Efficiency		0.86
Inertia moment	[kgm ²]	0.000413

Gear unit configuration

Output shaft		Hollow output shaft
Fixing		Shaft mounting
Version		PC

Output radial and axial loads

Ball bearings output radial load	[N]	3700
Taper bearings output radial load	[N]	4600
Ball bearings output axial load	[N]	740
Taper bearings output axial load	[N]	920

Accessories

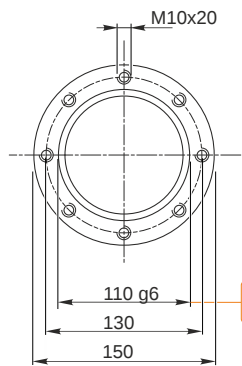
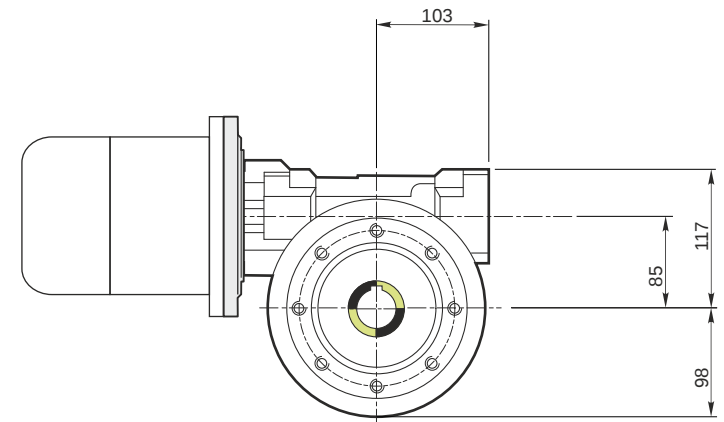
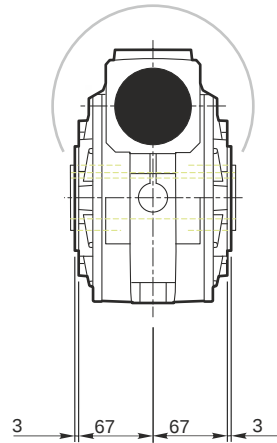
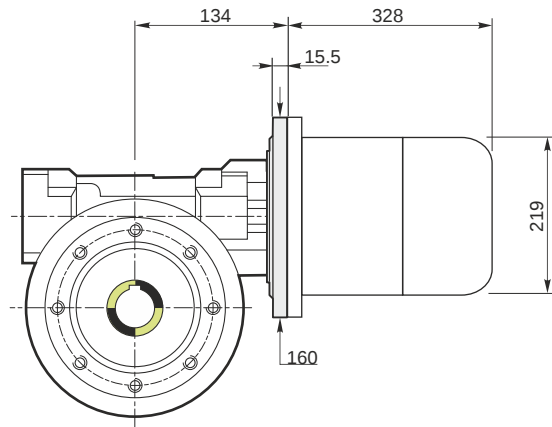
Hollow output shaft		AC 32
---------------------	--	-------

Electric motor

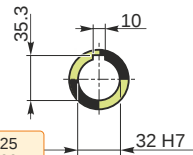
Size		112 A4
Poles		4
Power	[kW]	4

Electric motor configuration

Motor flange		B14
Terminal box position		X3

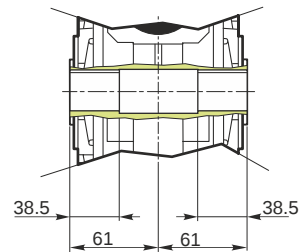


Hollow output shaft



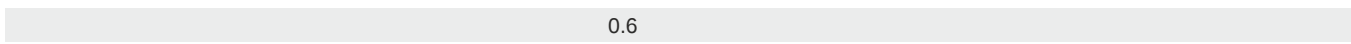
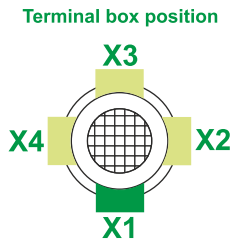
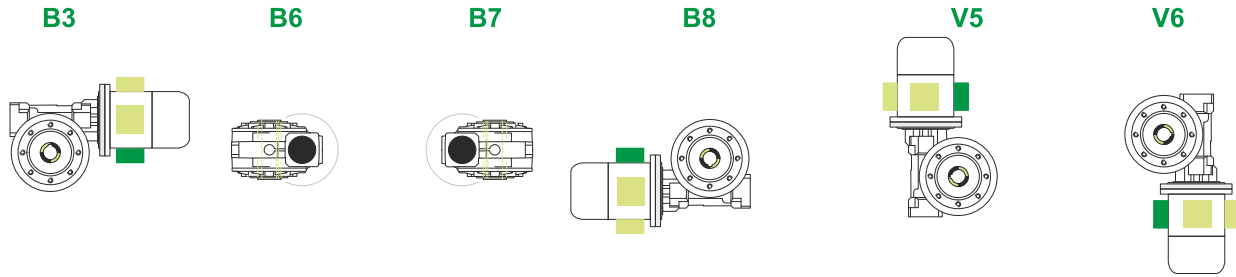
109.988
109.966

32.025
32.000



M RS 85 PC 10 112 B14 AC 32 MT 4 kW 112 A4 B14 X3 B3

Mounting positions



← Oil quantity [litres]

Lubricant type: Long life synthetic oil ISO VG320

Direction of rotation



Weight

Gear unit [kg]	13.5
Electric motor [kg]	29

Gearing data

Axial module	4.4
Number of starts	3
Lead angle	19° 09'
Pressure angle	20°

Backdriving

- Static back-driving
- Quick back-driving
- Dynamic back-driving

M RS 85 PC 10 112 B14 AC 32 MT 4 kW 112 A4 B14 X3 B3