

Input data

System of measurement		Metric
Input type		Gear motor
Input speed	[rpm]	1400
Output speed	[rpm]	70
Ratio (i=)		20
Frequency	[Hz]	50
Input options		IEC
Requested input power	[kW]	2.2
Service factor		1.3
Rated Power P1	[kW]	2.88

Output data

Gear unit **M RS 85 PC 20 100 B14 AC 32 MT 2.2 kW 100 A4 B14 X3 B3**

Type		RS - Worm speed reducers
Input type		M
Size		85
Ratio (i=)		20
Input flange		B14
Mounting position		B3
Input speed	[rpm]	1400
Output speed	[rpm]	70
Rated output torque	[Nm]	246.12
Service Factor		1.3
Efficiency		0.82
Inertia moment	[kgm ²]	0.000357

Gear unit configuration

Output shaft		Hollow output shaft
Fixing		Shaft mounting
Version		PC

Output radial and axial loads

Ball bearings output radial load	[N]	4700
Taper bearings output radial load	[N]	6300
Ball bearings output axial load	[N]	940
Taper bearings output axial load	[N]	1260

Accessories

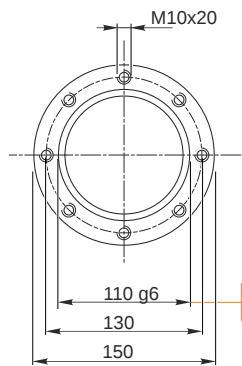
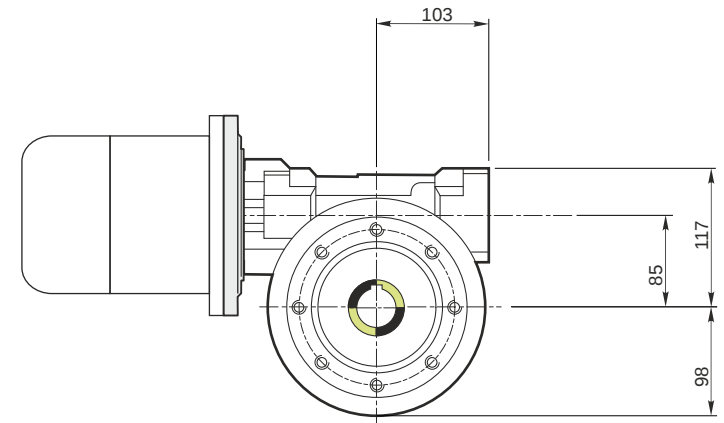
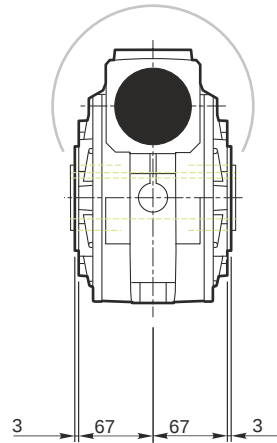
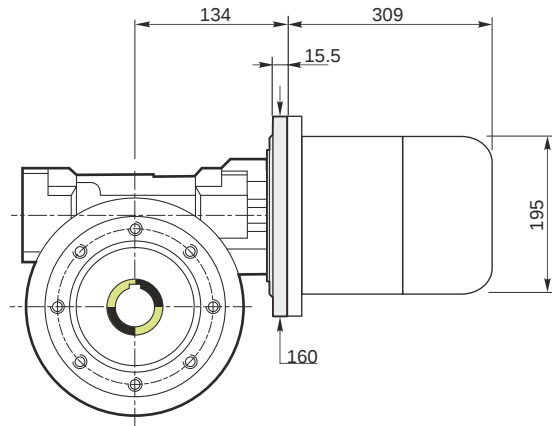
Hollow output shaft		AC 32
---------------------	--	-------

Electric motor

Size		100 A4
Poles		4
Power	[kW]	2.2

Electric motor configuration

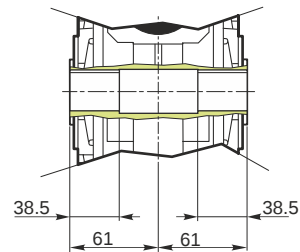
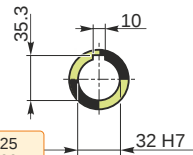
Motor flange		B14
Terminal box position		X3



109.988
109.966

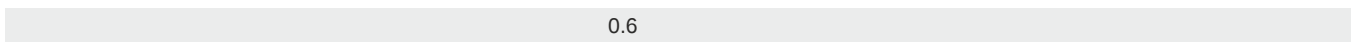
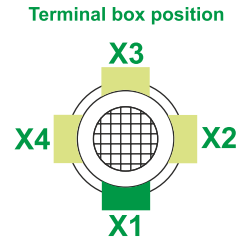
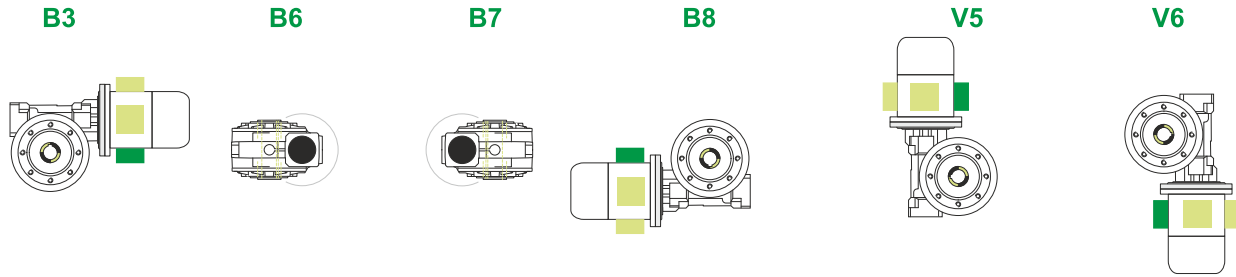
32.025
32.000

Hollow output shaft



M RS 85 PC 20 100 B14 AC 32 MT 2.2 kW 100 A4 B14 X3 B3

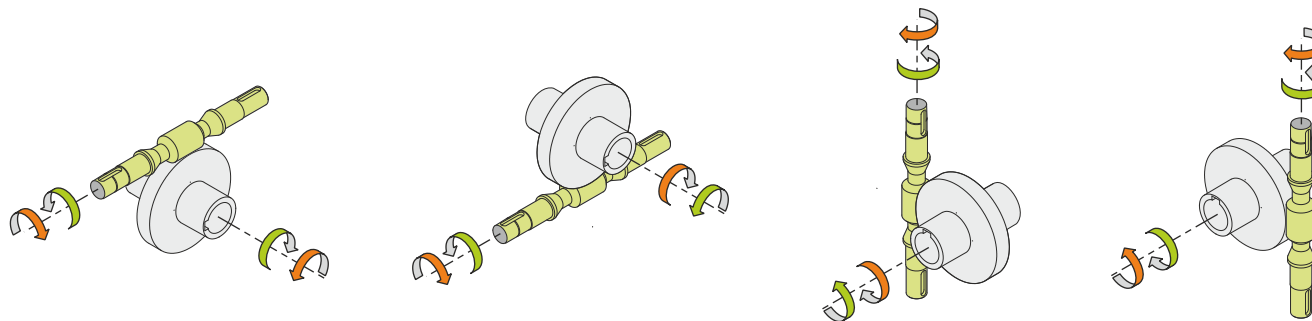
Mounting positions



← Oil quantity [litres]

Lubricant type: Long life synthetic oil ISO VG320

Direction of rotation



Weight

Gear unit [kg]	13.5
Electric motor [kg]	21

Gearing data

Axial module	3.4
Number of starts	2
Lead angle	11° 18'
Pressure angle	20°

Backdriving

Variable static self-locking
Quick back-driving in case of vibrations
Dynamic back-driving