

Input data

System of measurement		Metric
Input type		Gear motor
Input speed	[rpm]	1400
Output speed	[rpm]	17.5
Ratio (i=)		80
Frequency	[Hz]	50
Input options		IEC
Requested input power	[kW]	0.75
Service factor		1.1
Rated Power P1	[kW]	0.86

Output data

Gear unit **M RS 85 PC 80 80 B14 AC 32 MT 0.75 kW 80 B4 B14 X3 B3**

Type		RS - Worm speed reducers
Input type		M
Size		85
Ratio (i=)		80
Input flange		B14
Mounting position		B3
Input speed	[rpm]	1400
Output speed	[rpm]	17.5
Rated output torque	[Nm]	245.57
Service Factor		1.1
Efficiency		0.6
Inertia moment	[kgm ²]	0.00034

Gear unit configuration

Output shaft		Hollow output shaft
Fixing		Shaft mounting
Version		PC

Output radial and axial loads

Ball bearings output radial load	[N]	7500
Taper bearings output radial load	[N]	9400
Ball bearings output axial load	[N]	1500
Taper bearings output axial load	[N]	1880

Accessories

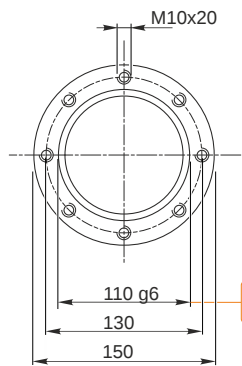
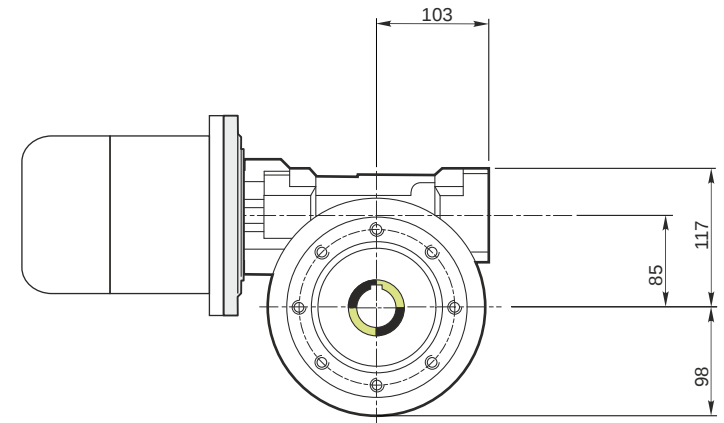
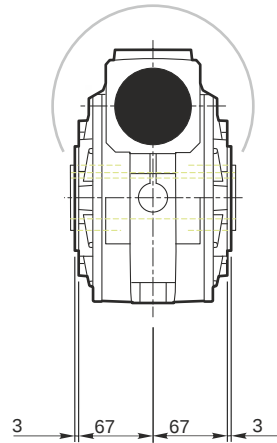
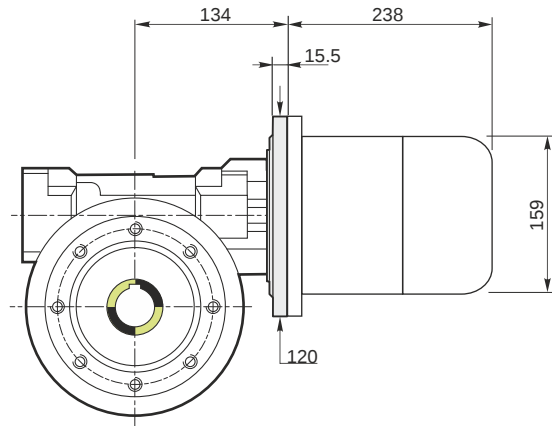
Hollow output shaft		AC 32
---------------------	--	-------

Electric motor

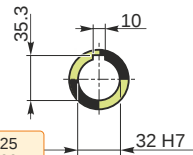
Size		80 B4
Poles		4
Power	[kW]	0.75

Electric motor configuration

Motor flange		B14
Terminal box position		X3

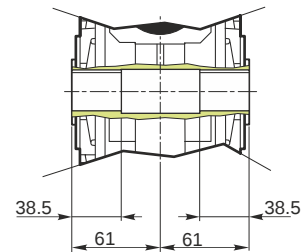


Hollow output shaft



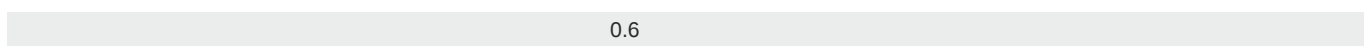
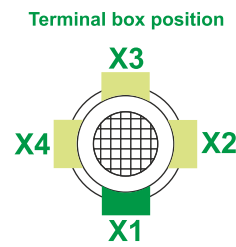
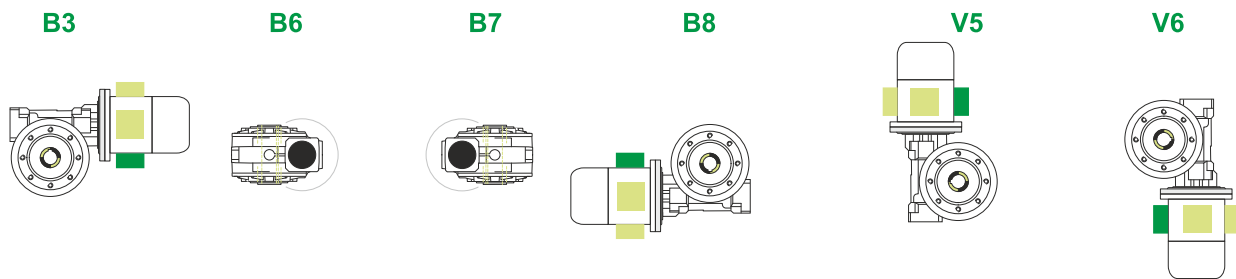
109.988
109.966

32.025
32.000



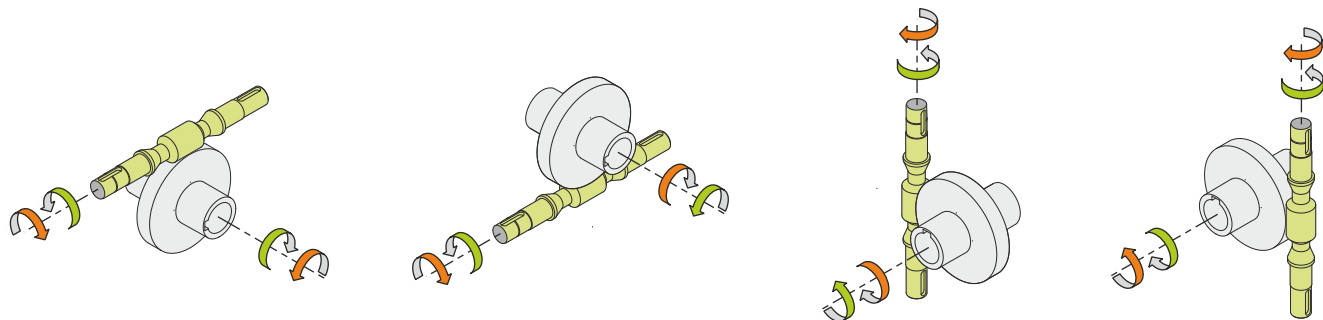
M RS 85 PC 80 80 B14 AC 32 MT 0.75 kW 80 B4 B14 X3 B3

Mounting positions



Lubricant type: Long life synthetic oil ISO VG320

Direction of rotation



Weight

Gear unit [kg]	13.5
Electric motor [kg]	9.8

Gearing data

Axial module	1.74
Number of starts	1
Lead angle	3° 14'
Pressure angle	20°

Backdriving

Static self-locking
Slow back-driving in case of vibrations
Low dynamic back-driving