

Input data

System of measurement		Metric
Input type		Gear motor
Input speed	[rpm]	1400
Output speed	[rpm]	14
Ratio (i=)		100
Frequency	[Hz]	50
Input options		IEC
Requested input power	[kW]	0.55
Service factor		1
Rated Power P1	[kW]	0.55

Output data

Gear unit **M RS 85 PC 100 80 B14 AC 32 MT 0.55 kW 80 A4 B14 X3 B3**

Type		RS - Worm speed reducers
Input type		M
Size		85
Ratio (i=)		100
Input flange		B14
Mounting position		B3
Input speed	[rpm]	1400
Output speed	[rpm]	14
Rated output torque	[Nm]	210.1
Service Factor		1
Efficiency		0.56
Inertia moment	[kgm ²]	0.00034

Gear unit configuration

Output shaft		Hollow output shaft
Fixing		Shaft mounting
Version		PC

Output radial and axial loads

Ball bearings output radial load	[N]	8300
Taper bearings output radial load	[N]	9400
Ball bearings output axial load	[N]	1660
Taper bearings output axial load	[N]	1880

Accessories

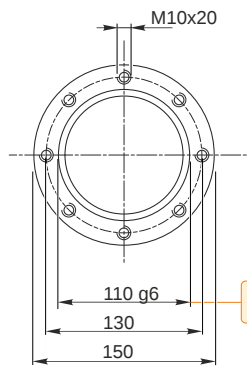
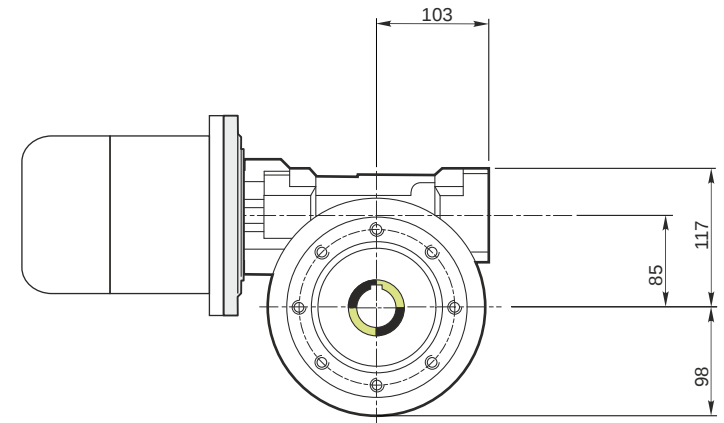
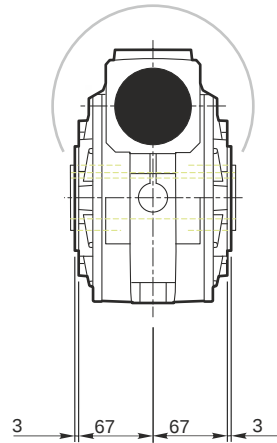
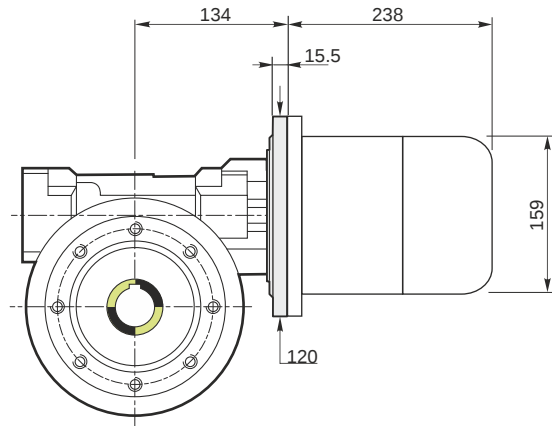
Hollow output shaft		AC 32
---------------------	--	-------

Electric motor

Size		80 A4
Poles		4
Power	[kW]	0.55

Electric motor configuration

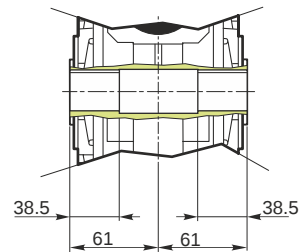
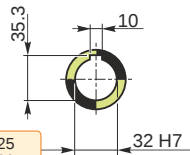
Motor flange		B14
Terminal box position		X3



109.988
109.966

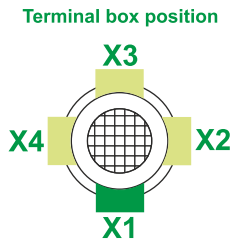
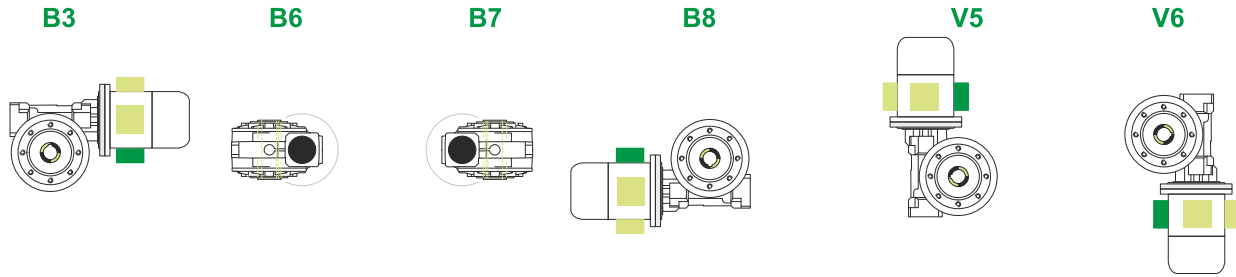
32.025
32.000

Hollow output shaft



M RS 85 PC 100 80 B14 AC 32 MT 0.55 kW 80 A4 B14 X3 B3

Mounting positions



← Oil quantity [litres]

Lubricant type: Long life synthetic oil ISO VG320

Direction of rotation



Weight

Gear unit [kg]	13.5
Electric motor [kg]	9.8

Gearing data

Axial module	1.4
Number of starts	1
Lead angle	2° 40'
Pressure angle	20°

Backdriving

- Static self-locking
- No back-driving
- Low dynamic back-driving

M RS 85 PC 100 80 B14 AC 32 MT 0.55 kW 80 A4 B14 X3 B3