

Input data

System of measurement		Metric
Input type		Gear motor
Input speed	[rpm]	1400
Output speed	[rpm]	25
Ratio (i=)		56
Frequency	[Hz]	50
Input options		IEC
Requested input power	[kW]	2.2
Service factor		1
Rated Power P1	[kW]	2.23

Output data

Gear unit **M RS 110 PC 56 100 B14 AC 42 MT 2.2 kW 100 A4 B14 X3 B3**

Type		RS - Worm speed reducers
Input type		M
Size		110
Ratio (i=)		56
Input flange		B14
Mounting position		B3
Input speed	[rpm]	1400
Output speed	[rpm]	25
Rated output torque	[Nm]	588.28
Service Factor		1
Efficiency		0.7
Inertia moment	[kgm ²]	0.001688

Gear unit configuration

Output shaft		Hollow output shaft
Fixing		Shaft mounting
Version		PC

Output radial and axial loads

Ball bearings output radial load	[N]	7800
Taper bearings output radial load	[N]	11100
Ball bearings output axial load	[N]	1560
Taper bearings output axial load	[N]	2220

Accessories

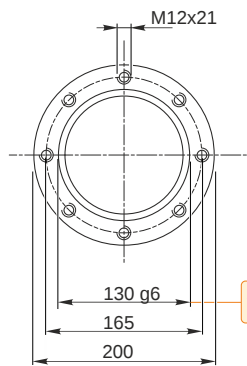
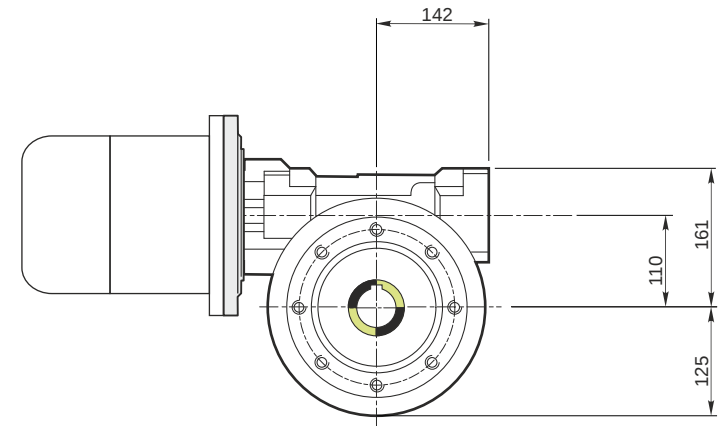
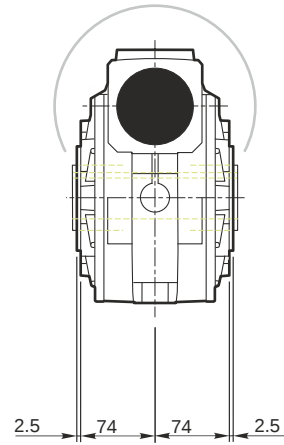
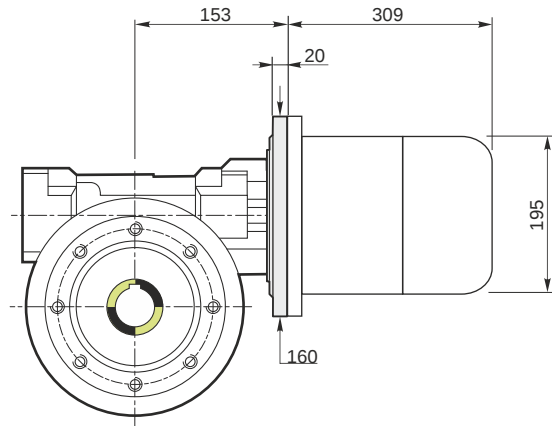
Hollow output shaft		AC 42
---------------------	--	-------

Electric motor

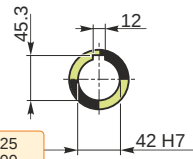
Size		100 A4
Poles		4
Power	[kW]	2.2

Electric motor configuration

Motor flange		B14
Terminal box position		X3

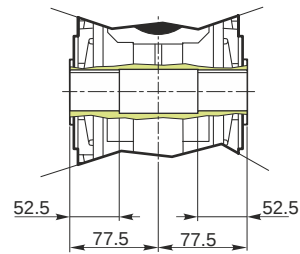


Hollow output shaft



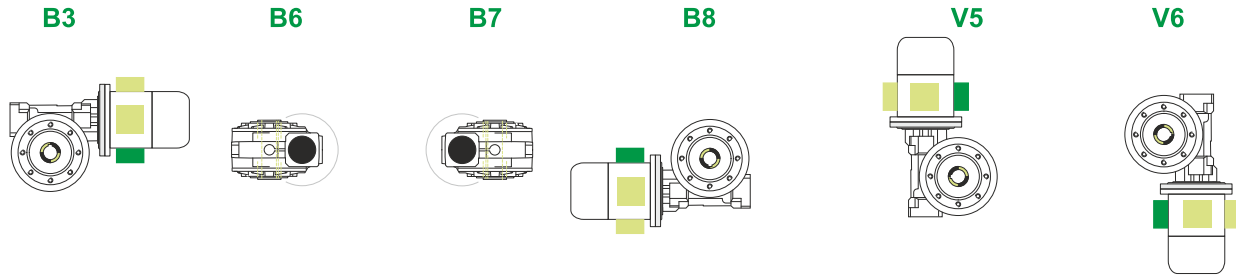
129.986
129.961

42.025
42.000

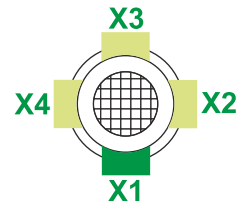


M RS 110 PC 56 100 B14 AC 42 MT 2.2 kW 100 A4 B14 X3 B3

Mounting positions



Terminal box position



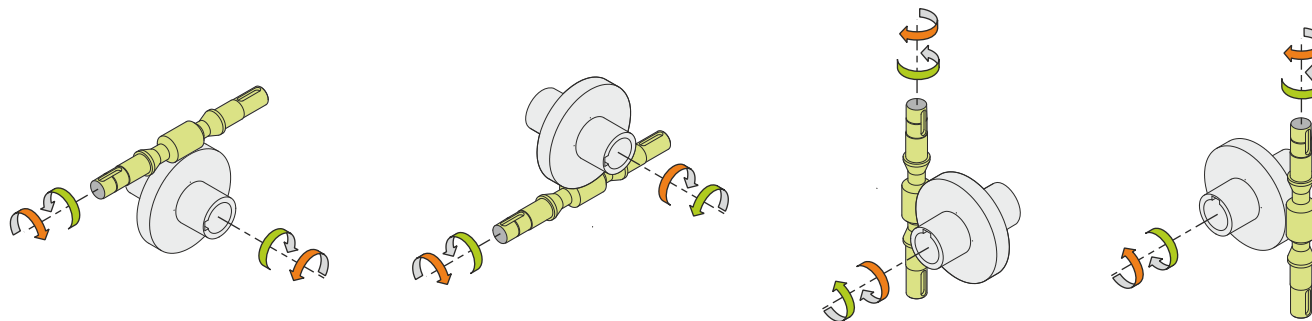
1.5



← Oil quantity [litres]

Lubricant type: Long life synthetic oil ISO VG320

Direction of rotation



Weight

Gear unit [kg]	39
Electric motor [kg]	21

Gearing data

Axial module	3.2
Number of starts	1
Lead angle	4° 29'
Pressure angle	20°

Backdriving

Static self-locking
Slow back-driving in case of vibrations
Low dynamic back-driving