

### Input data

System of measurement		Metric
Input type		Gear motor
Input speed	[rpm]	1400
Output speed	[rpm]	17.5
Ratio (i=)		80
Frequency	[Hz]	50
Input options		IEC
Requested input power	[kW]	1.5
Service factor		1
Rated Power P1	[kW]	1.46

### Output data

**Gear unit** **M RS 110 PC 80 90 B14 AC 42 MT 1.5 kW 90 L4 B14 X3 B3**

Type		RS - Worm speed reducers
Input type		M
Size		110
Ratio (i=)		80
Input flange		B14
Mounting position		B3
Input speed	[rpm]	1400
Output speed	[rpm]	17.5
Rated output torque	[Nm]	540.26
Service Factor		1
Efficiency		0.66
Inertia moment	[kgm <sup>2</sup> ]	0.001684

#### Gear unit configuration

Output shaft		Hollow output shaft
Fixing		Shaft mounting
Version		PC

#### Output radial and axial loads

Ball bearings output radial load	[N]	8800
Taper bearings output radial load	[N]	11100
Ball bearings output axial load	[N]	1760
Taper bearings output axial load	[N]	2220

#### Accessories

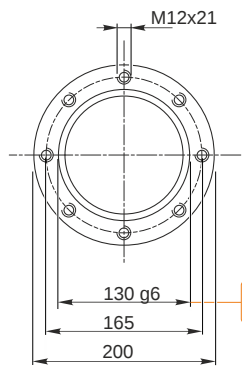
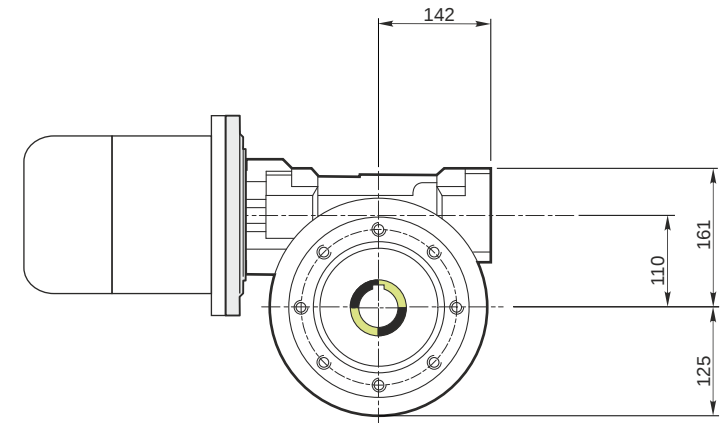
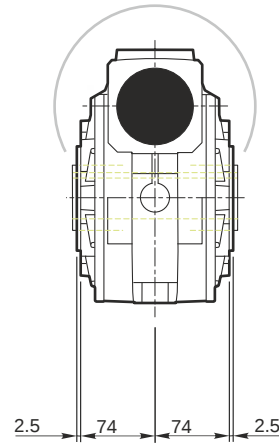
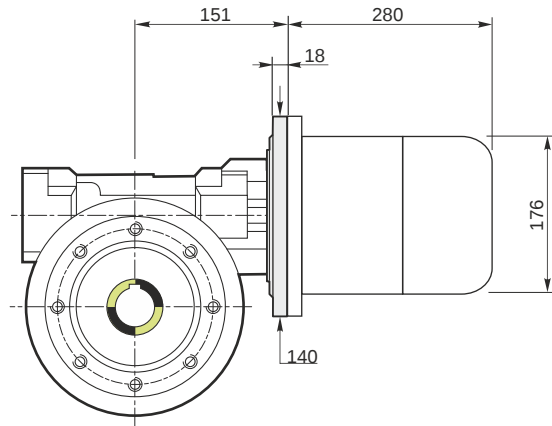
Hollow output shaft		AC 42
---------------------	--	-------

#### Electric motor

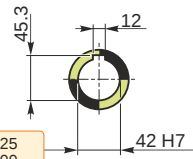
Size		90 L4
Poles		4
Power	[kW]	1.5

#### Electric motor configuration

Motor flange		B14
Terminal box position		X3

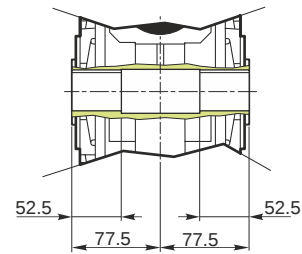


Hollow output shaft



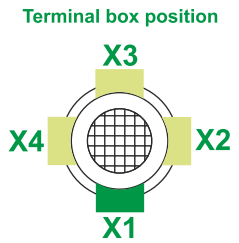
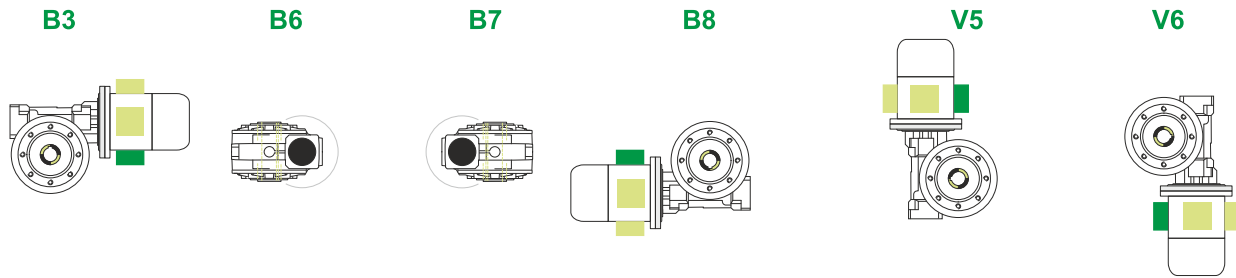
129.986  
129.961

42.025  
42.000



**M RS 110 PC 80 90 B14 AC 42 MT 1.5 kW 90 L4 B14 X3 B3**

**Mounting positions**



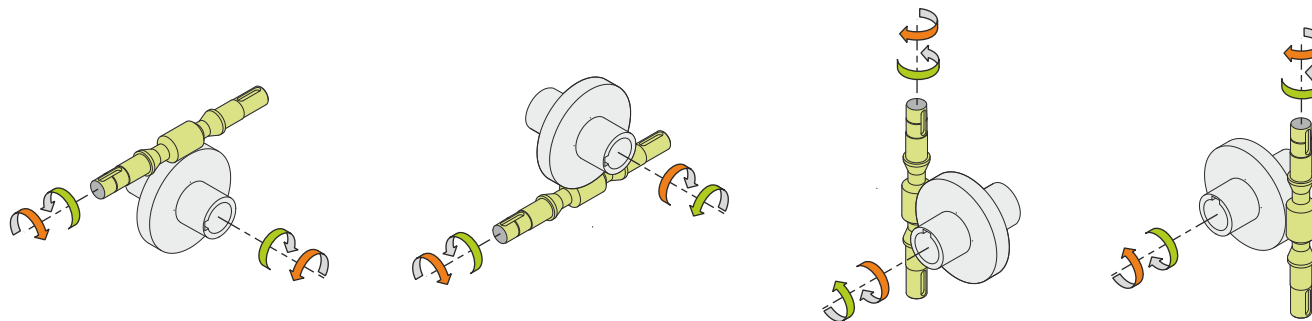
1.5



← Oil quantity [litres]

Lubricant type: Long life synthetic oil ISO VG320

**Direction of rotation**



**Weight**

Gear unit [kg]	39
Electric motor [kg]	13.5

**Gearing data**

Axial module	2.3
Number of starts	1
Lead angle	3° 39'
Pressure angle	20°

**Backdriving**

Static self-locking  
Slow back-driving in case of vibrations  
Low dynamic back-driving

**M RS 110 PC 80 90 B14 AC 42 MT 1.5 kW 90 L4 B14 X3 B3**