

Input data

System of measurement		Metric
Input type		Gear motor
Input speed	[rpm]	1400
Output speed	[rpm]	140
Ratio (i=)		10
Frequency	[Hz]	50
Input options		IEC
Requested input power	[kW]	9.2
Service factor		1.6
Rated Power P1	[kW]	15

Output data

Gear unit **M RS 130 PC 10 132 B14 AC 48 MT 9.2 kW 132 ML4 B14 X3 B3**

Type		RS - Worm speed reducers
Input type		M
Size		130
Ratio (i=)		10
Input flange		B14
Mounting position		B3
Input speed	[rpm]	1400
Output speed	[rpm]	140
Rated output torque	[Nm]	545.99
Service Factor		1.6
Efficiency		0.87
Inertia moment	[kgm ²]	0.003282

Gear unit configuration

Output shaft		Hollow output shaft
Fixing		Shaft mounting
Version		PC

Output radial and axial loads

Ball bearings output radial load	[N]	5650
Taper bearings output radial load	[N]	7900
Ball bearings output axial load	[N]	1130
Taper bearings output axial load	[N]	1580

Accessories

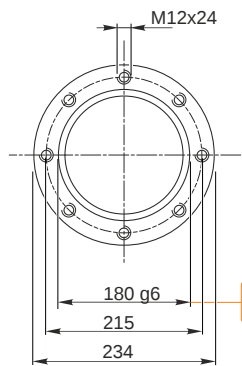
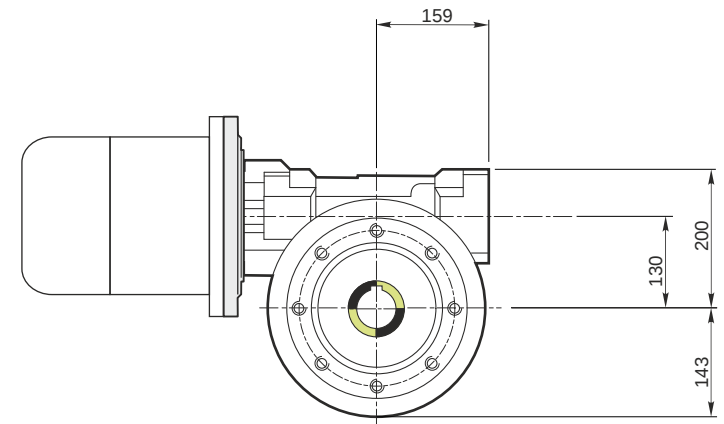
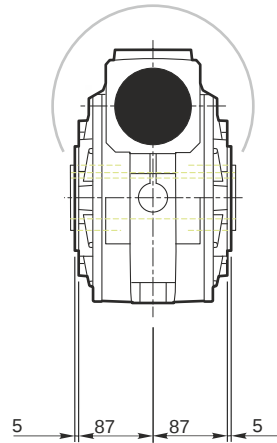
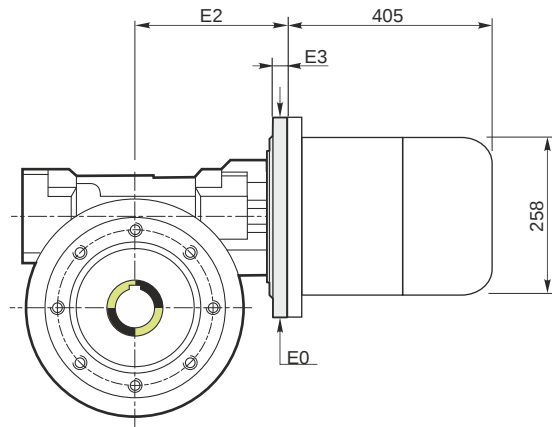
Hollow output shaft		AC 48
---------------------	--	-------

Electric motor

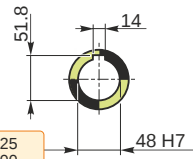
Size		132 ML4
Poles		4
Power	[kW]	9.2

Electric motor configuration

Motor flange		B14
Terminal box position		X3

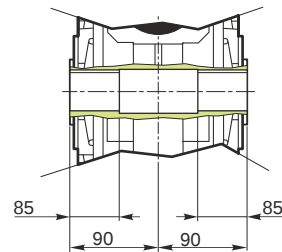


Hollow output shaft

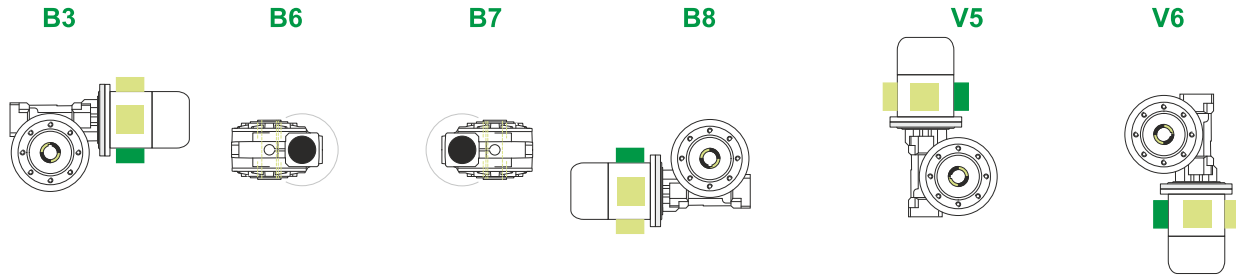


179.986
179.961

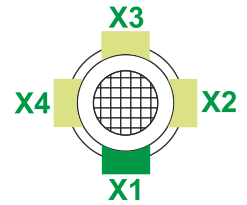
48.025
48.000



Mounting positions



Terminal box position



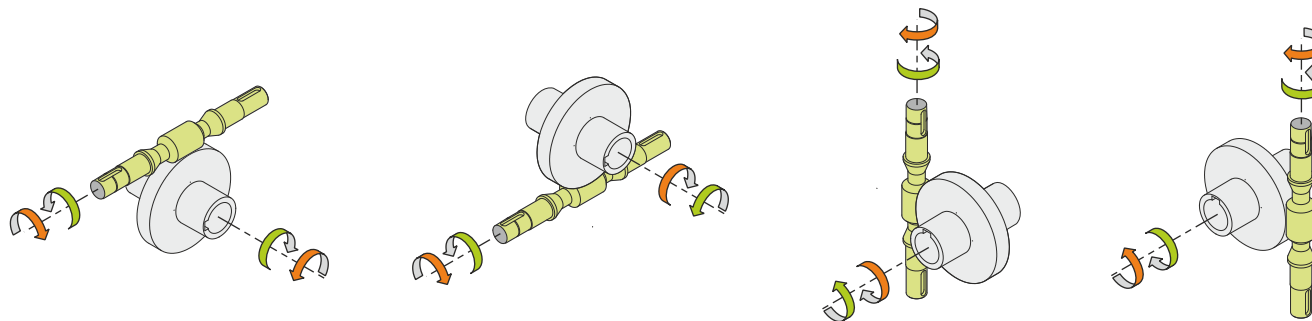
2.75



← Oil quantity [litres]

Lubricant type: Long life synthetic oil ISO VG320

Direction of rotation



Weight

Gear unit [kg]	50
Electric motor [kg]	52

Gearing data

Axial module	6.90
Number of starts	3
Lead angle	21° 20'
Pressure angle	20°

Backdriving

- Static back-driving
- Quick back-driving
- Dynamic back-driving