

### Input data

System of measurement		Metric
Input type		Gear motor
Input speed	[rpm]	1400
Output speed	[rpm]	93.33
Ratio (i=)		15
Frequency	[Hz]	50
Input options		IEC
Requested input power	[kW]	7.5
Service factor		1.5
Rated Power P1	[kW]	11.04

### Output data

**Gear unit** **M RS 130 PC 15 132 B14 AC 48 MT 7.5 kW 132 M4 B14 X3 B3**

Type		RS - Worm speed reducers
Input type		M
Size		130
Ratio (i=)		15
Input flange		B14
Mounting position		B3
Input speed	[rpm]	1400
Output speed	[rpm]	93.33
Rated output torque	[Nm]	652.3
Service Factor		1.5
Efficiency		0.85
Inertia moment	[kgm <sup>2</sup> ]	0.002928

#### Gear unit configuration

Output shaft		Hollow output shaft
Fixing		Shaft mounting
Version		PC

#### Output radial and axial loads

Ball bearings output radial load	[N]	6150
Taper bearings output radial load	[N]	8600
Ball bearings output axial load	[N]	1230
Taper bearings output axial load	[N]	1720

#### Accessories

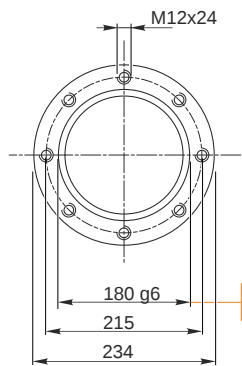
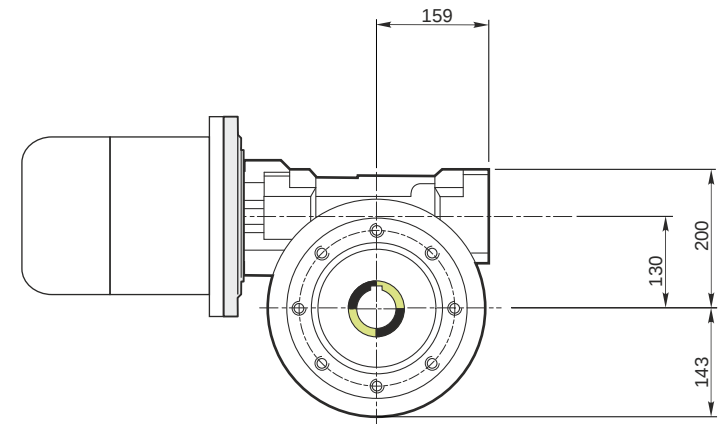
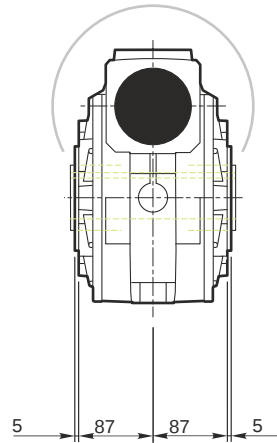
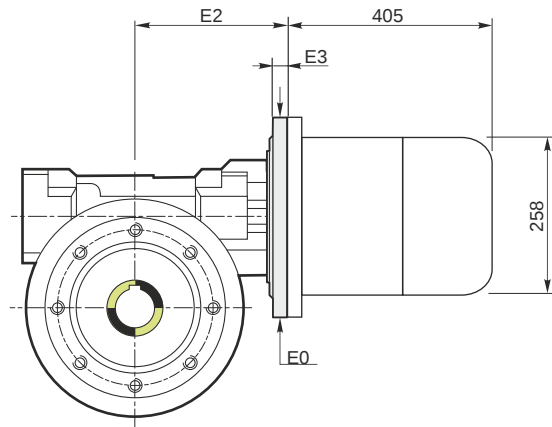
Hollow output shaft		AC 48
---------------------	--	-------

### Electric motor

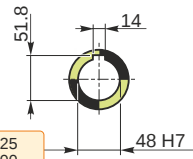
Size		132 M4
Poles		4
Power	[kW]	7.5

#### Electric motor configuration

Motor flange		B14
Terminal box position		X3

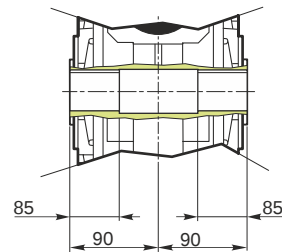


Hollow output shaft



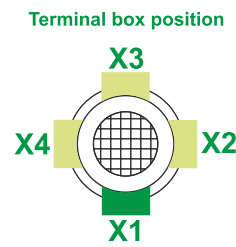
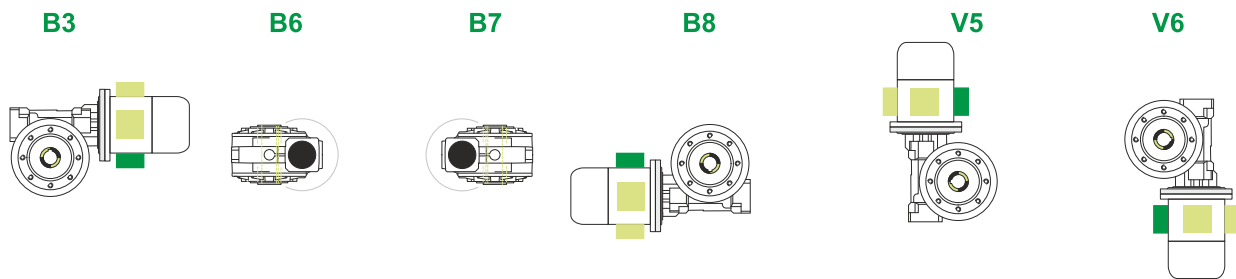
179.986  
179.961

48.025  
48.000



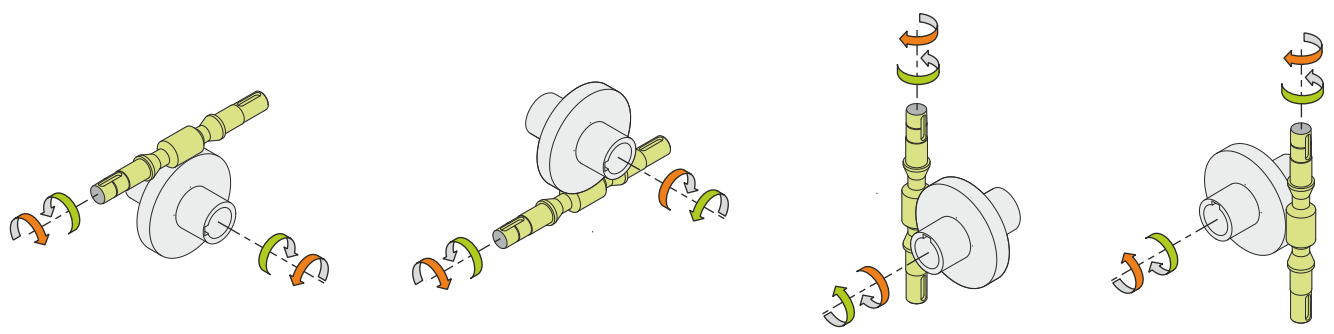
**M RS 130 PC 15 132 B14 AC 48 MT 7.5 kW 132 M4 B14 X3 B3**

### Mounting positions



Lubricant type: Long life synthetic oil ISO VG320

### Direction of rotation



### Weight

Gear unit [kg]	50
Electric motor [kg]	52

### Gearing data

Axial module	6.85
Number of starts	2
Lead angle	14° 06'
Pressure angle	20°

### Backdriving

- Static back-driving
- Quick back-driving
- Dynamic back-driving