

Input data

System of measurement		Metric
Input type		Gear motor
Input speed	[rpm]	1400
Output speed	[rpm]	70
Ratio (i=)		20
Frequency	[Hz]	50
Input options		IEC
Requested input power	[kW]	7.5
Service factor		1.1
Rated Power P1	[kW]	8.51

Output data

Gear unit **M RS 130 PC 20 132 B14 AC 48 MT 7.5 kW 132 M4 B14 X3 B3**

Type		RS - Worm speed reducers
Input type		M
Size		130
Ratio (i=)		20
Input flange		B14
Mounting position		B3
Input speed	[rpm]	1400
Output speed	[rpm]	70
Rated output torque	[Nm]	859.5
Service Factor		1.1
Efficiency		0.84
Inertia moment	[kgm ²]	0.002805

Gear unit configuration

Output shaft		Hollow output shaft
Fixing		Shaft mounting
Version		PC

Output radial and axial loads

Ball bearings output radial load	[N]	6500
Taper bearings output radial load	[N]	9700
Ball bearings output axial load	[N]	1300
Taper bearings output axial load	[N]	1940

Accessories

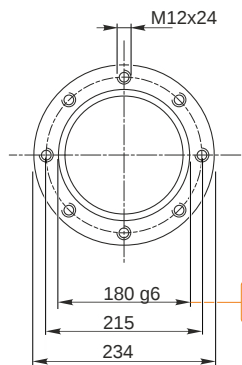
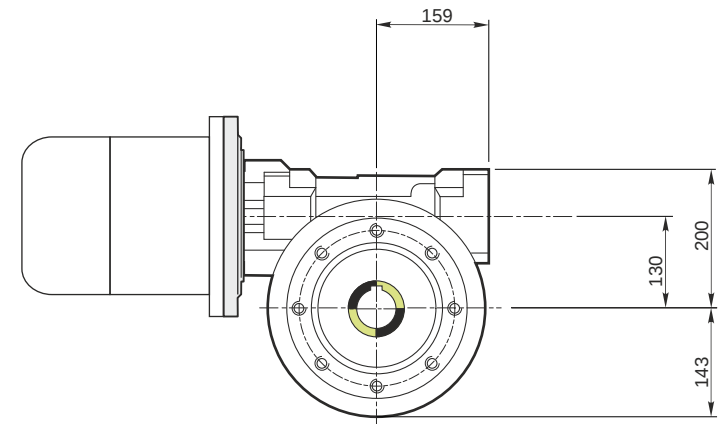
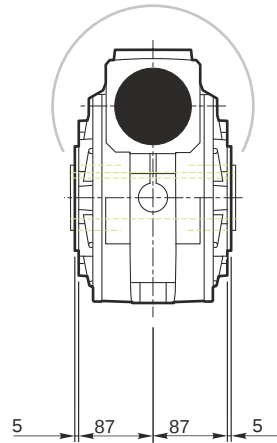
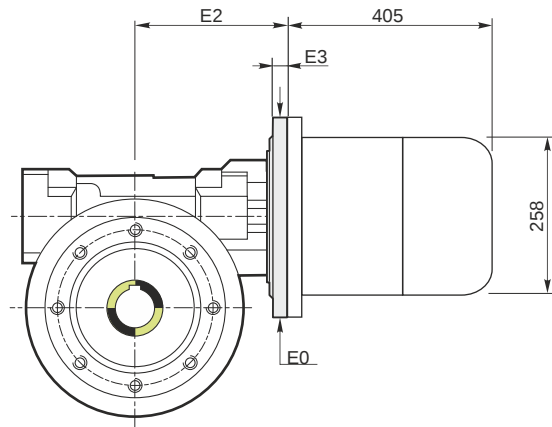
Hollow output shaft		AC 48
---------------------	--	-------

Electric motor

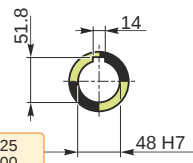
Size		132 M4
Poles		4
Power	[kW]	7.5

Electric motor configuration

Motor flange		B14
Terminal box position		X3

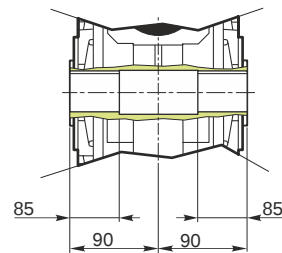


Hollow output shaft

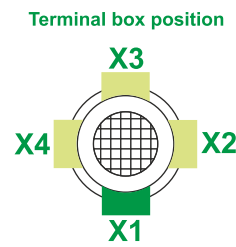
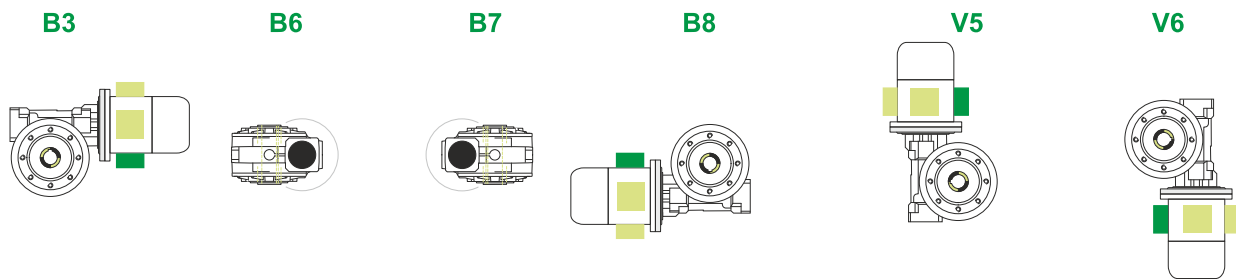


179.986
179.961

48.025
48.000

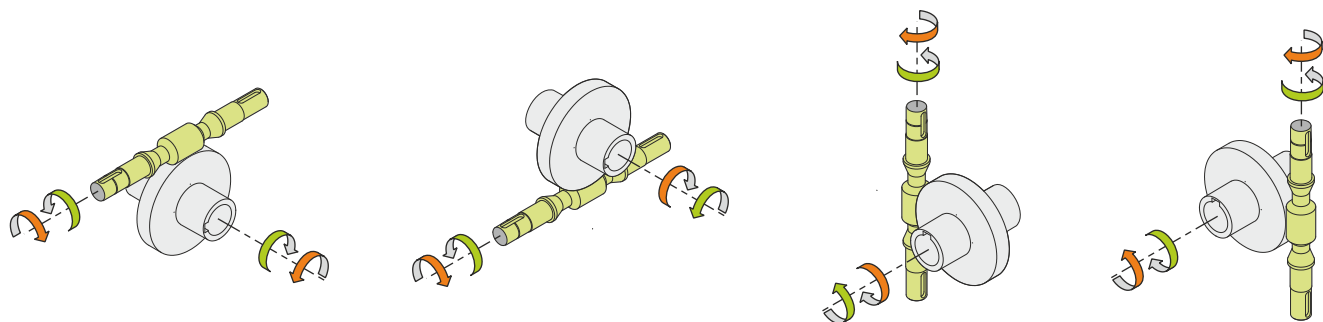


Mounting positions



Lubricant type: Long life synthetic oil ISO VG320

Direction of rotation



Weight

Gear unit [kg]	50
Electric motor [kg]	52

Gearing data

Axial module	5.35
Number of starts	2
Lead angle	13° 05'
Pressure angle	20°

Backdriving

- Static back-driving
- Quick back-driving
- Dynamic back-driving