

### Input data

System of measurement		Metric
Input type		Gear motor
Input speed	[rpm]	1400
Output speed	[rpm]	17.5
Ratio (i=)		80
Frequency	[Hz]	50
Input options		IEC
Requested input power	[kW]	2.2
Service factor		1.1
Rated Power P1	[kW]	2.36

### Output data

**Gear unit** **M RS 130 PC 80 100 B14 AC 48 MT 2.2 kW 100 A4 B14 X3 B3**

Type		RS - Worm speed reducers
Input type		M
Size		130
Ratio (i=)		80
Input flange		B14
Mounting position		B3
Input speed	[rpm]	1400
Output speed	[rpm]	17.5
Rated output torque	[Nm]	756.36
Service Factor		1.1
Efficiency		0.63
Inertia moment	[kgm <sup>2</sup> ]	0.002656

#### Gear unit configuration

Output shaft		Hollow output shaft
Fixing		Shaft mounting
Version		PC

#### Output radial and axial loads

Ball bearings output radial load	[N]	10500
Taper bearings output radial load	[N]	14500
Ball bearings output axial load	[N]	2100
Taper bearings output axial load	[N]	2900

#### Accessories

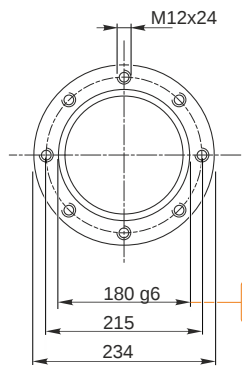
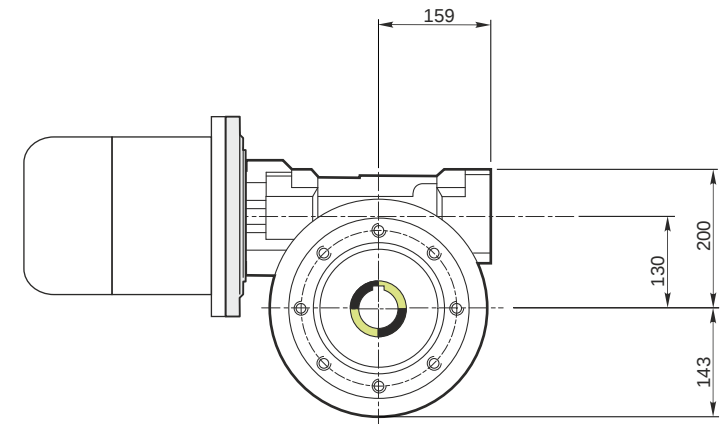
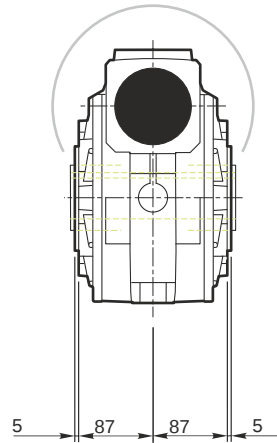
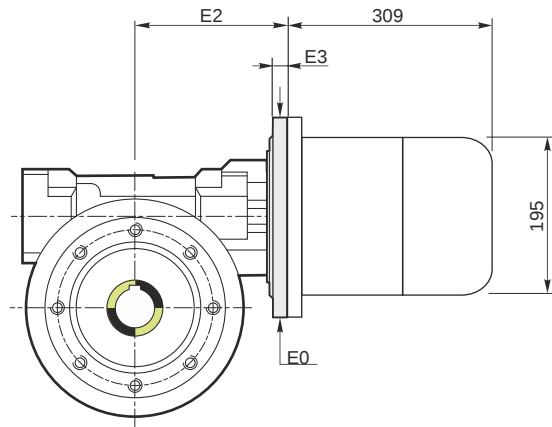
Hollow output shaft		AC 48
---------------------	--	-------

#### Electric motor

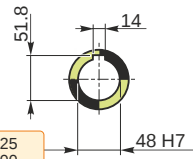
Size		100 A4
Poles		4
Power	[kW]	2.2

#### Electric motor configuration

Motor flange		B14
Terminal box position		X3

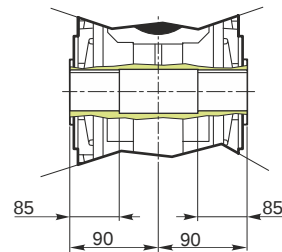


Hollow output shaft



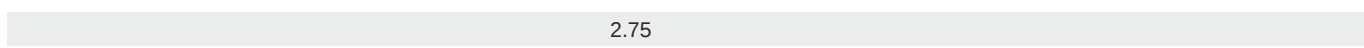
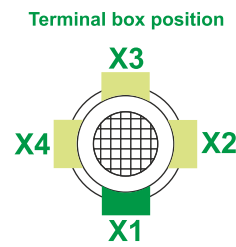
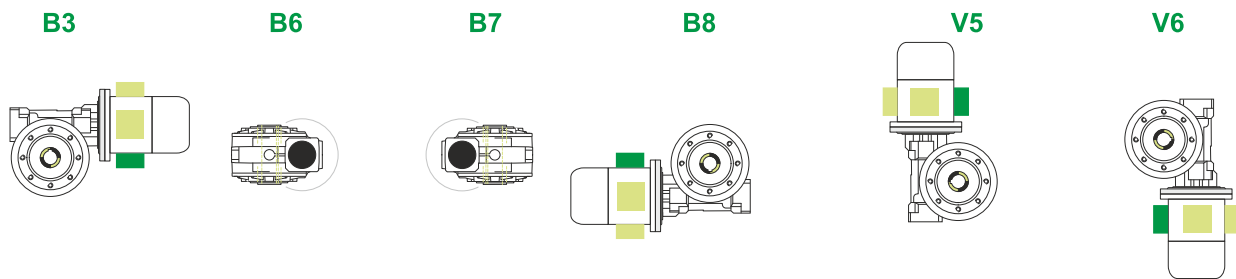
179.986  
179.961

48.025  
48.000



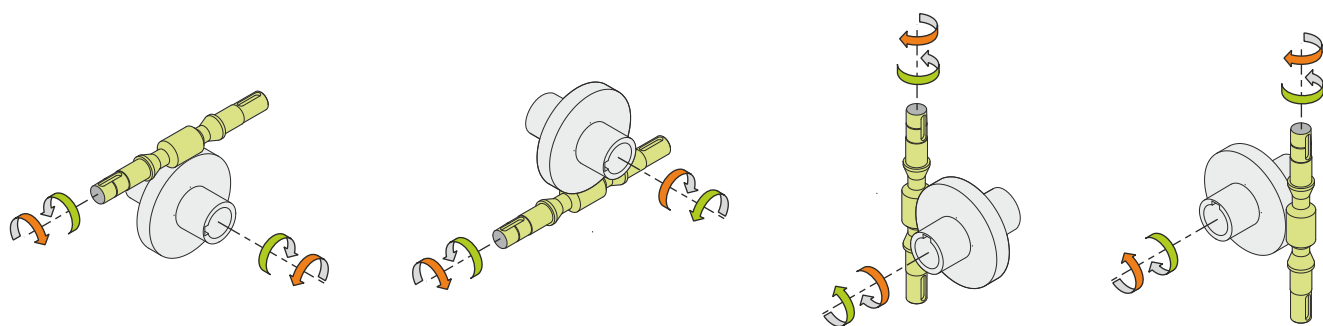
**M RS 130 PC 80 100 B14 AC 48 MT 2.2 kW 100 A4 B14 X3 B3**

### Mounting positions



Lubricant type: Long life synthetic oil ISO VG320

### Direction of rotation



### Weight

Gear unit [kg]	50
Electric motor [kg]	21

### Gearing data

Axial module	2.70
Number of starts	1
Lead angle	3° 30'
Pressure angle	20°

### Backdriving

Static self-locking  
Slow back-driving in case of vibrations  
Low dynamic back-driving