

Input data

| | | |
|-----------------------|-------|------------|
| System of measurement | | Metric |
| Input type | | Gear motor |
| Input speed | [rpm] | 1400 |
| Output speed | [rpm] | 14 |
| Ratio (i=) | | 100 |
| Frequency | [Hz] | 50 |
| Input options | | IEC |
| Requested input power | [kW] | 2.2 |
| Service factor | | 0.8 |
| Rated Power P1 | [kW] | 1.8 |

Output data

Gear unit **M RS 130 PC 100 100 B14 AC 48 MT 2.2 kW 100 A4 B14 X3 B3**

| | | |
|---------------------|---------------------|--------------------------|
| Type | | RS - Worm speed reducers |
| Input type | | M |
| Size | | 130 |
| Ratio (i=) | | 100 |
| Input flange | | B14 |
| Mounting position | | B3 |
| Input speed | [rpm] | 1400 |
| Output speed | [rpm] | 14 |
| Rated output torque | [Nm] | 915.44 |
| Service Factor | | 0.8 |
| Efficiency | | 0.61 |
| Inertia moment | [kgm ²] | 0.002652 |

Gear unit configuration

| | | |
|--------------|--|---------------------|
| Output shaft | | Hollow output shaft |
| Fixing | | Shaft mounting |
| Version | | PC |

Output radial and axial loads

| | | |
|-----------------------------------|-----|-------|
| Ball bearings output radial load | [N] | 11500 |
| Taper bearings output radial load | [N] | 14500 |
| Ball bearings output axial load | [N] | 2300 |
| Taper bearings output axial load | [N] | 2900 |

Accessories

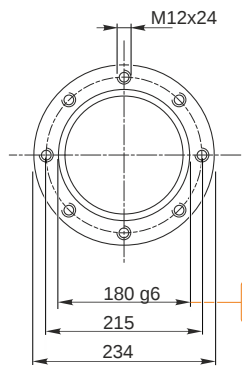
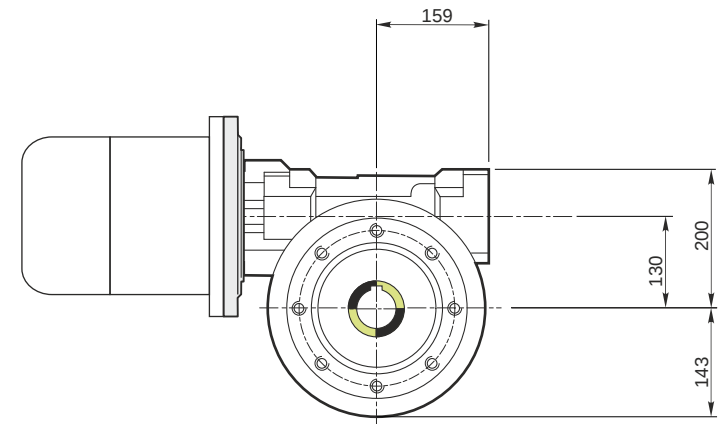
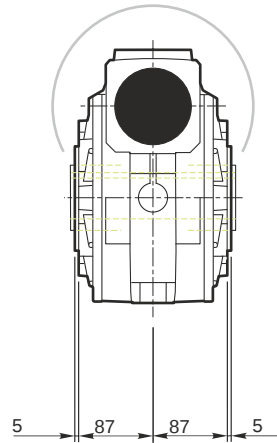
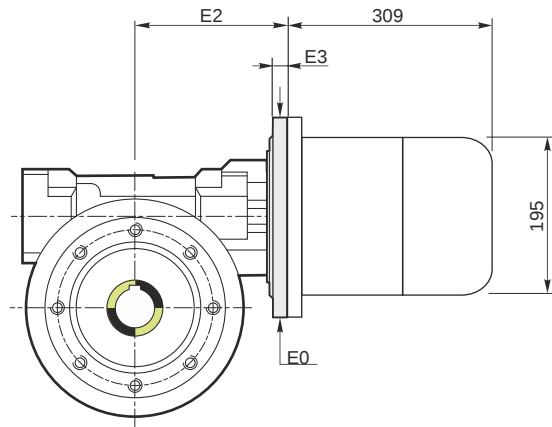
| | | |
|---------------------|--|-------|
| Hollow output shaft | | AC 48 |
|---------------------|--|-------|

Electric motor

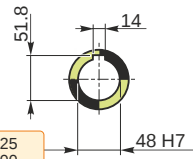
| | | |
|-------|------|--------|
| Size | | 100 A4 |
| Poles | | 4 |
| Power | [kW] | 2.2 |

Electric motor configuration

| | | |
|-----------------------|--|-----|
| Motor flange | | B14 |
| Terminal box position | | X3 |

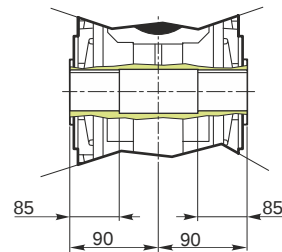


Hollow output shaft



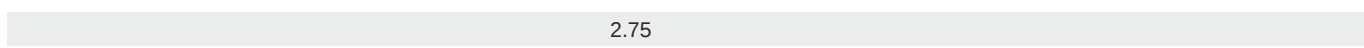
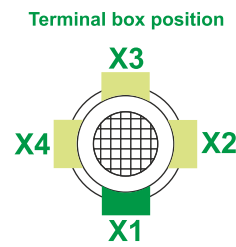
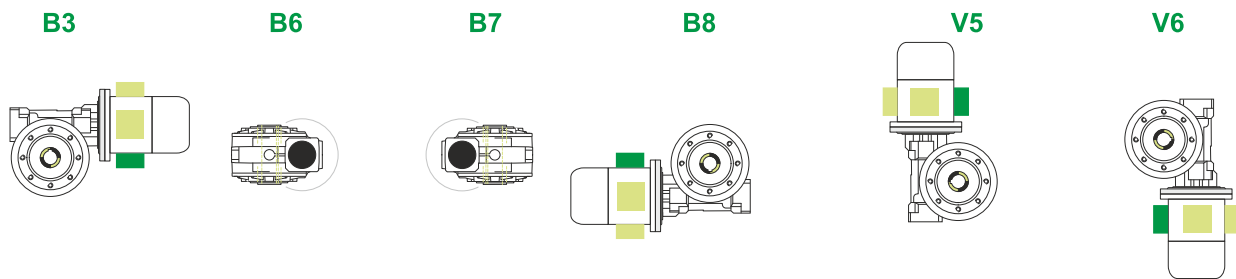
179.986
179.961

48.025
48.000



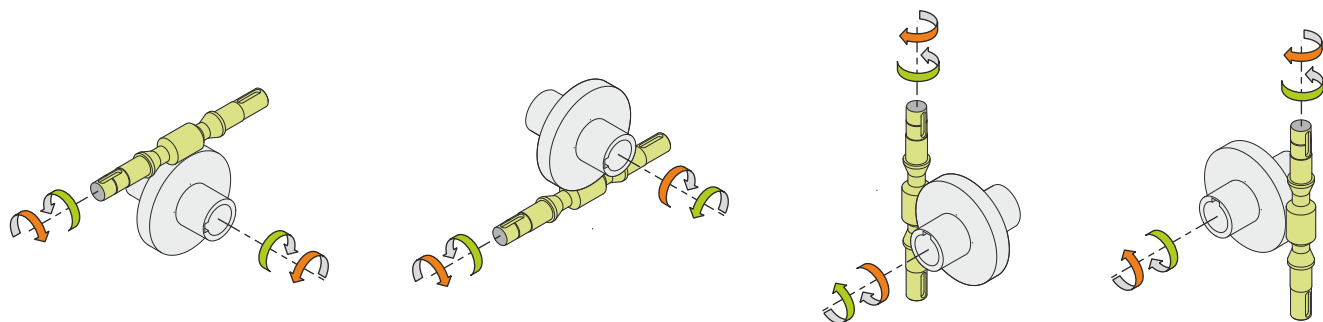
M RS 130 PC 100 100 B14 AC 48 MT 2.2 kW 100 A4 B14 X3 B3

Mounting positions



Lubricant type: Long life synthetic oil ISO VG320

Direction of rotation



Weight

| | |
|---------------------|----|
| Gear unit [kg] | 50 |
| Electric motor [kg] | 21 |

Gearing data

| | |
|------------------|--------|
| Axial module | 2.25 |
| Number of starts | 1 |
| Lead angle | 3° 40' |
| Pressure angle | 20° |

Backdriving

Static self-locking
Slow back-driving in case of vibrations
Low dynamic back-driving