

Input data

System of measurement		Metric
Input type		Gear motor
Input speed	[rpm]	1400
Output speed	[rpm]	200
Ratio (i=)		7
Frequency	[Hz]	50
Input options		IEC
Requested input power	[kW]	15
Service factor		1.7
Rated Power P1	[kW]	24.94

Output data

Gear unit **M RS 150 PC 7 160 B5 AC 55 MT 15 kW 160 L4 B5 X3 B3**

Type		RS - Worm speed reducers
Input type		M
Size		150
Ratio (i=)		7
Input flange		B5
Mounting position		B3
Input speed	[rpm]	1400
Output speed	[rpm]	200
Rated output torque	[Nm]	637.46
Service Factor		1.7
Efficiency		0.89
Inertia moment	[kgm ²]	0.008174

Gear unit configuration

Output shaft		Hollow output shaft
Fixing		Shaft mounting
Version		PC

Output radial and axial loads

Ball bearings output radial load	[N]	6500
Taper bearings output radial load	[N]	9000
Ball bearings output axial load	[N]	1300
Taper bearings output axial load	[N]	1800

Accessories

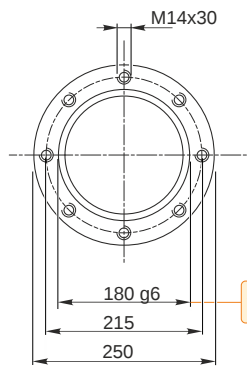
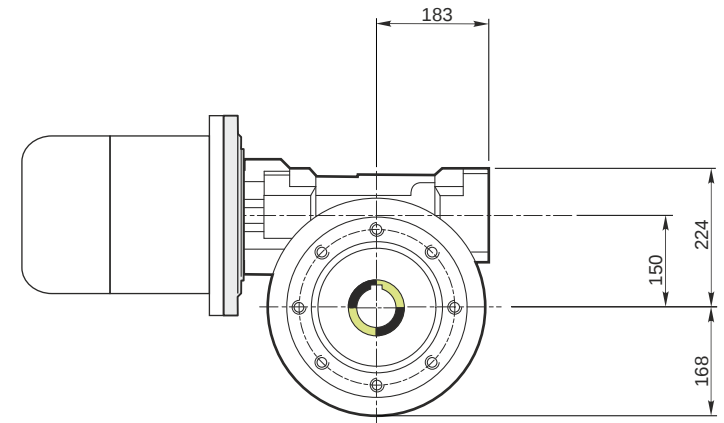
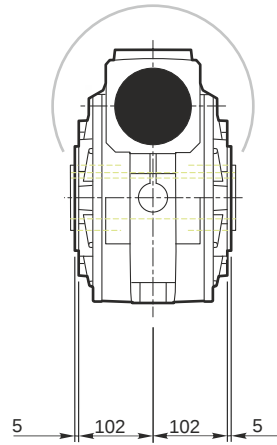
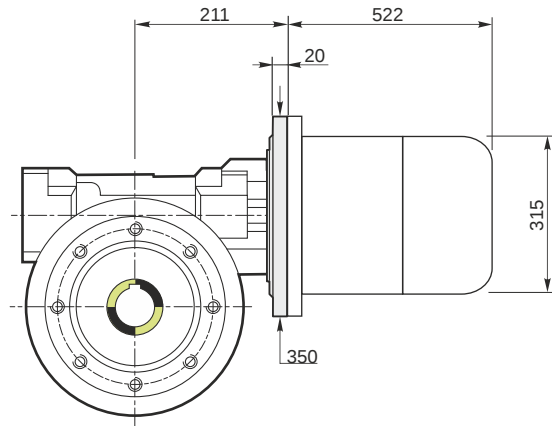
Hollow output shaft		AC 55
---------------------	--	-------

Electric motor

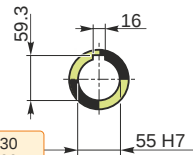
Size		160 L4
Poles		4
Power	[kW]	15

Electric motor configuration

Motor flange		B5
Terminal box position		X3

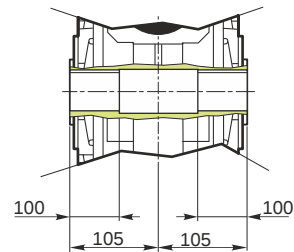


Hollow output shaft



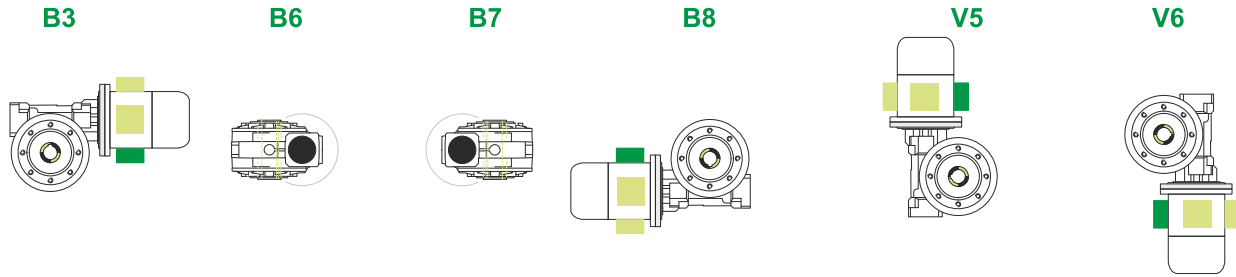
179.986
179.961

55.030
55.000

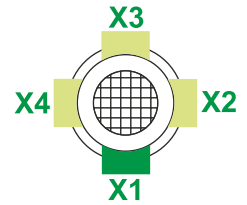


M RS 150 PC 7 160 B5 AC 55 MT 15 kW 160 L4 B5 X3 B3

Mounting positions



Terminal box position



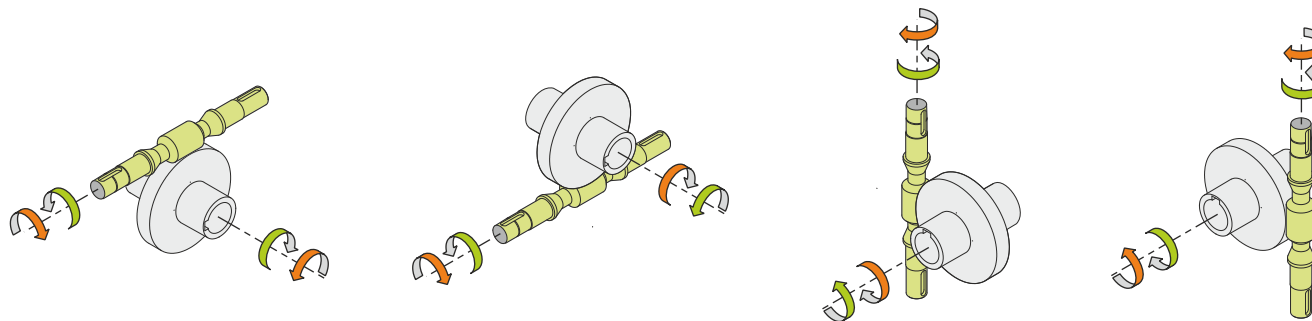
4.4



← Oil quantity [litres]

Lubricant type: Long life synthetic oil ISO VG320

Direction of rotation



Weight

Gear unit [kg]	80
Electric motor [kg]	100

Gearing data

Axial module	8.25
Number of starts	4
Lead angle	25° 33'
Pressure angle	20°

Backdriving

- Static back-driving
- Quick back-driving
- Dynamic back-driving